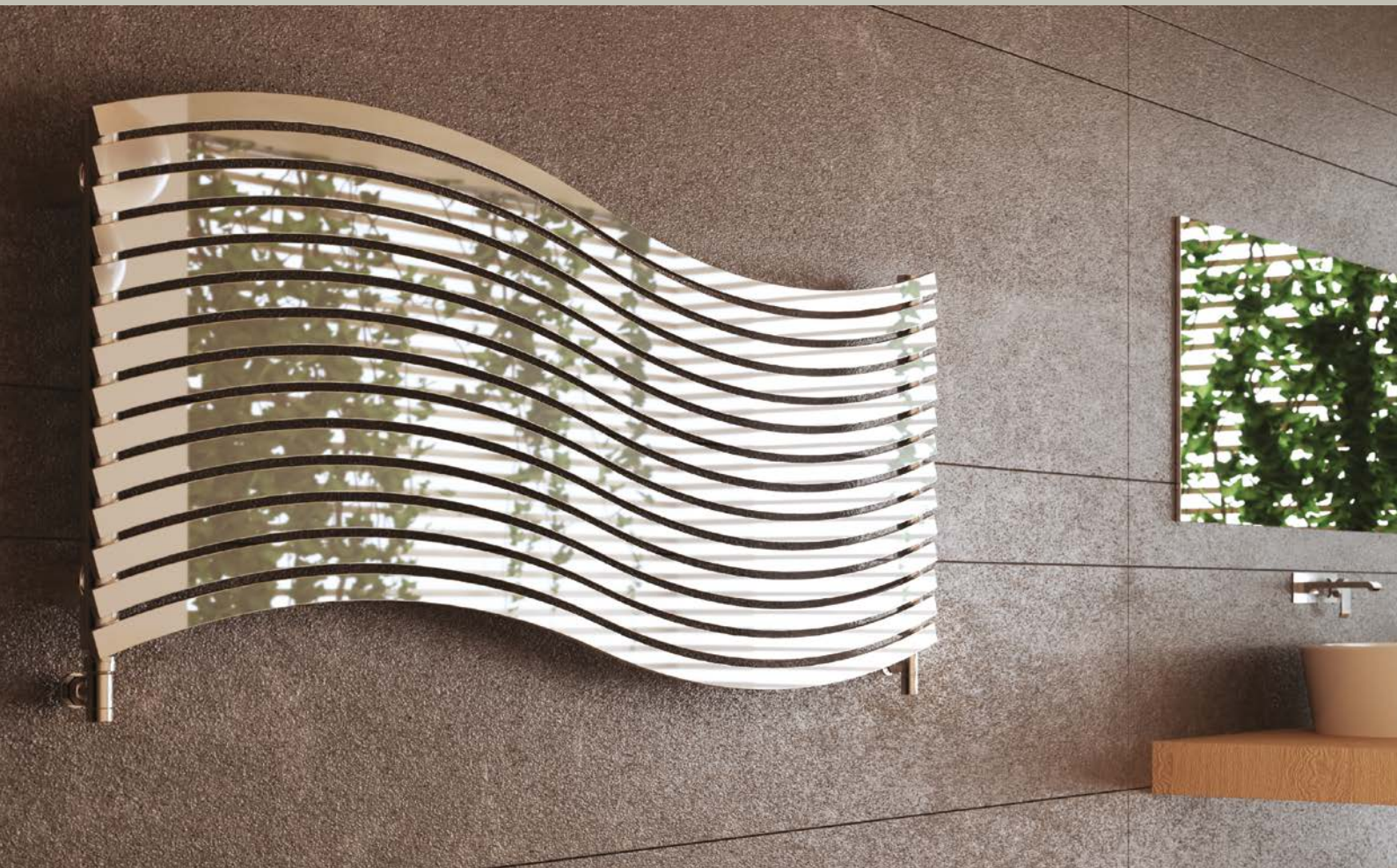


DRL DESIGN

DESIGNRADIATOREN



CORDIVARI



RADIATOREN EN ACCESSOIRES

Cordivari Design is de merknaam die zich identificeert met de artistieke weg van de research en development van de Cordivari groep. Dit concept onderzoekt het rijk van emoties en affectiviteit: een reis van passie en gevoelens die worden weerspiegeld in de omgeving waar ieder object, ieder onderdeel zijn eigen uitdrukking en persoonlijkheid heeft. Cordivari Design radiatoren neemt hiermee een markt leidende positie in ten opzichte van haar tijdgenoten. Het continue onderzoek naar technologische oplossingen in combinatie met de creativiteit van toonaangevende designers die voor Cordivari Design werken, versterkt de doeltreffendheid van de radiatoren; er wordt een perfecte chemie gecreëerd tussen functionaliteit en stijl welke resulteert in de combinatie van warmte en elegantie voor iedere woonomgeving.

CORDIVARI

DESIGN

CORDIVARI DESIGNERS

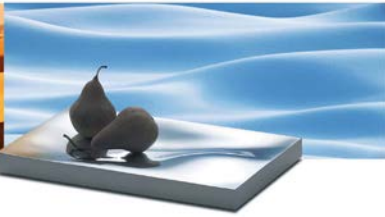
DESIGN



Jean-Marie Massaud

Laureato all'ensCI nel 1990, Jean-Marie Massaud ha svolto una ricerca verso la sintesi e la leggerezza fin dalle sue prime attività. Ha lavorato in tutti i campi del design, dai mobili ai prodotti e attrezzature industriali. Nel 2000, fonda studio massaud ed espande la sua competenza all'architettura e al brand development. Rifiutando le tendenze e la moda, Jean-Marie preferisce mettere in discussione l'esistente, elaborando proposte sullo sviluppo, e proponendo risposte alle sfide contemporanee. È questa simbiosi tra l'Uomo, le sue creazioni e il suo ambiente naturale, che Jean-Marie Massaud si sforza di raggiungere, come un catalizzatore per l'innovazione, come modello economico e come progetto di vita.

graduated from the ensCI in 1990, Jean-Marie Massaud has run a quest for synthesis, reduction and lightness since his first intuitions. He has been working all kind of design fields, from furniture to industrial product and equipment. In 2000, he founds studio massaud and expands his expertise to architecture and brand development. He collaborates with various brands such as B&B Italia, Axor Hansgrohe, Dedon, Lancôme or Renault. Denying trend and fashion, Jean-Marie prefers questioning the existing, working out on progress and eventually proposing answers to contemporary stakes. It is this symbiosis between man, his creations and his natural environment, that Jean-Marie Massaud strives to reach, as a catalyst to innovation, as an economic model and as a life project. For Cordivari he projected Blow® radiator's design.



with Polyurethane
For WATER
(SAFELY)

Time Pass



Mariano Moroni

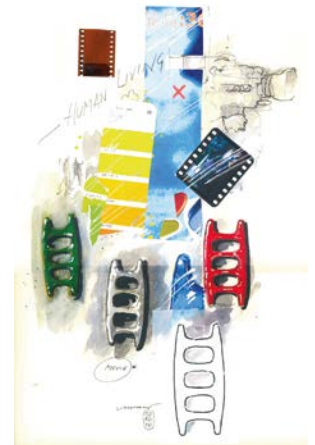
Architetto, Artista, Designer. e' nato nel 1954 a nereto (Teramo).

Dopo il Liceo Artistico si laurea in architettura con abilitazione al politecnico di milano. Partecipa a mostre e rassegne in Italia e all'estero sin dagli anni settanta. eclettico e versatile, spazia in molteplici attività creative: dalla ricerca pittorica all'attività progettuale di architetto, da quella urbanistica a quella di grafico illustratore e di designer. nel 1999 partecipa alla realizzazione di un film documento sull'architettura rurale.

espone opere in sedi pubbliche e private. La collaborazione con l'azienda Cordivari, basata su valori e stima condivisi, ha portato alla realizzazione dei corpi scaldanti movie®, Renèe®, Jungle®, Raising®, Bridge®, groove® e Roads®.

Architect, Artist and Designer. He was born in 1954 in nereto (Teramo) After Artistic High school he graduated in architecture, and was licensed by Politecnico in milan. starting from 70s he attended to many exhibitions and Fairs in Italy and abroad He has a wide-ranging and versatile mind, and he is involved in many creative activities from painting to architecture, from urban activity to graphic and design.

In 1999 he took part to a movie whose theme was rural architecture. his artwork are shown in public and private structures. Cooperating with Cordivari, with mutual respect and estimation, he created movie®, Renèe®, Jungle®, Raising®, Bridge®, groove® e Roads®.



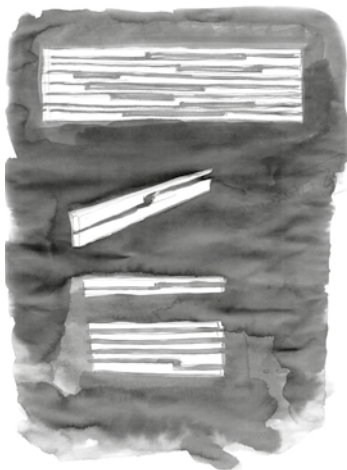


Paola Pinnaiva si diploma all' IsIA di Roma e nel 1989 vince il premio al Concorso europeo di Design. Ha lavorato come Industrial designer nelle sedi di n izza, Tokyo e Dallas della Texas Instruments. n el 1994 fonda lo studio on design a Roma che pone al servizio delle imprese innovazione, creatività ed esperienza metodologica, innalzando il design a cuore propulsivo aziendale. n umerose sono le collaborazioni con prestigiose aziende internazionali. Per la Cordivari ha progettato i corpi scaldanti Rio® e Foglia® (vincitore del premio 2001 I.D. review magazine, new York).

Paola Pinnaiva was graduated at IsIA in Rome and she won european Design Award. she worked as industrial designer for Texas Instruments in n izza, Tokyo and Dallas. In 1994 she founded. studio on design in Rome , putting at industries disposal her creativity , innovation, and methodological experiences. she made Design being the propulsive heart of the industry , she cooperated with many prestigious international companies. she designed for Cordivari Rio® and Foglia® (winner of 2001 I.D. Award review magazine, new York)



Paola Pinnaiva



Luca scacchetti nasce a milano nel 1952.

n el 1975 si laurea alla Facoltà di Architettura del Politecnico di milano.

Dal 1976 svolge attività didattica all'interno del corso di Composizione Architettonica.

Dal 1987 insegna Progettazione Architettonica presso il Dipartimento di Architettura dell'Istituto europeo di Design a milano.

insegna elementi di Architettura e Urbanistica presso l'Accademia di Belle Arti di Brera e presso il Politecnico di milano, Facoltà di Design.

Collabora nel campo del design con numerose e importanti aziende italiane ed europee nel campo del mobile, dell'illuminazione e dell'oggettistica. Per Cordivari Design ha progettato il corpo scaldante stradivari.

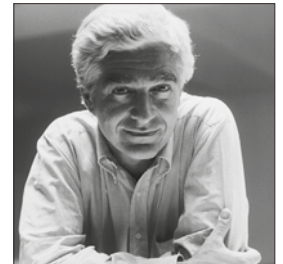
Luca scacchetti was born in milano in 1952.

in 1975 he graduated in Architecture at milano Politecnico University

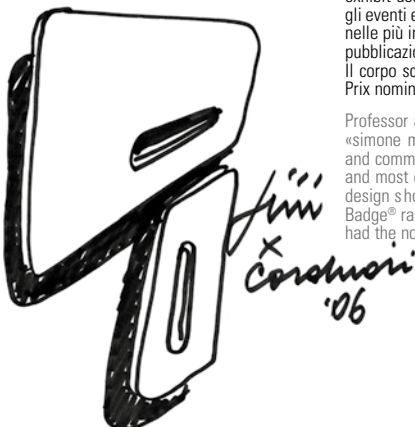
since 1976 he's teaching Achitectonic Composition and since 1987 he's teaching Architectonic Projects at Architecture Department – european Design Institute in milano.

He is also teaching Architectural elements and Urbanistic at Artistic Academy in Brera and at Design Department -Politecnico in milano He is cooperating in Design with many important italian and stanger furnitures lighting and gifts industries.

For Cordivari he created stradivari radiator.



Luca Scacchetti



Professore universitario, fonda l'omonimo studio d'Architettura nel 1990, e la società di progettazione "simone micheli Architectural Hero" nel 2003. I suoi lavori di architettura, contract, interior design, exhibit design, design, grafica e comunicazione sono legati al mondo dell'esaltazione sensoriale. Cura gli eventi espositivi sperimentali per alcune tra le più qualificate fiere internazionali. espone le sue opere nelle più importanti manifestazioni di architettura e di design del mondo. molte sono le monografie e le pubblicazioni, su riviste internazionali, dedicate al suo lavoro.

Il corpo scaldante Badge®, per Cordivari, ha vinto i premi Design Plus, Comfort & Design e Idéo Bain Prix nominé.

Professor at University, he founded in 1990 Architecture Studio and in 1993 the Project Company «simone micheli Architectural Hero» His architectural jobs, contract, interior design, exhibit, graphic and communication are linked to sensorial world. He takes care of the most important exhibiting event and most qualified international Fair. His artworks are shown at the most important architectural and design show all over the world. many magazine are writing about his job.

Badge® radiator, he created for Cordivari, was awarded with Design Plus, with Confort & Design and had the nomination at Ideo Bain Award.



Simone Micheli



INOX STYLE

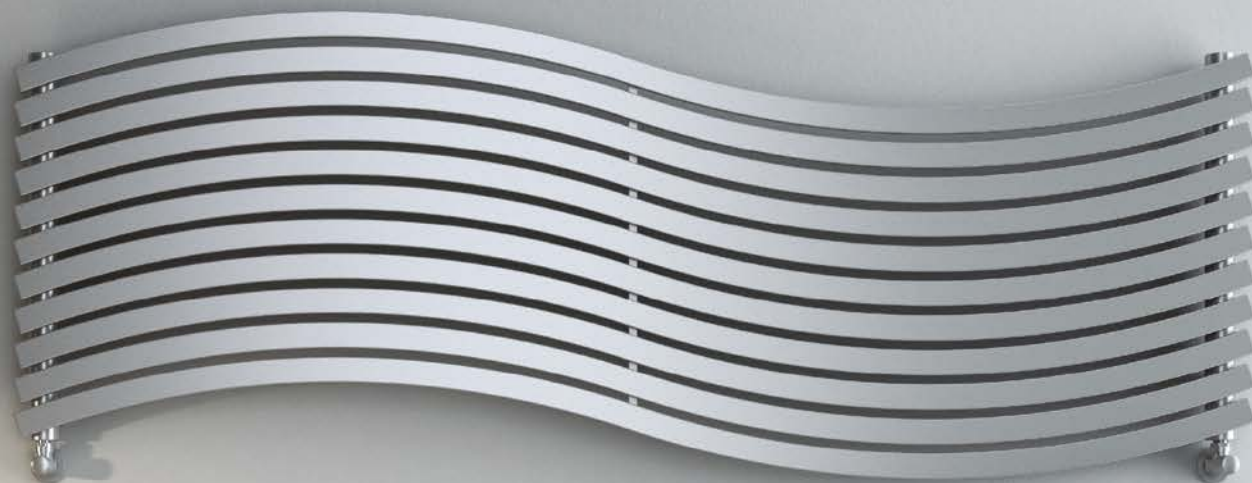
LOLA - BLOW - FRAME - STEFANIA
GIADA - STRADIVARI - RIO - KELLY

RVS wordt steeds vaker toegepast in de architectuur en industrieel design, niet alleen om zijn prestatie maar vooral door zijn visuele lichtheid. De lichtreflectie die door de RVS-radiatoren worden gecreëerd of de elegantie van de Polished of Satin finish, garanderen een exclusieve touch en prestige in uw badkamer. RVS is 100 recyclebaar, beschermd tegen corrosie en heeft een oneindige levensduur.



LOLA[®] RVS

POLISHED/SATIN



LOLA[®] RVS Satin Horizontal
CORDIVARI Design
L 1516 mm - H 450 mm - Watt 549



GOLD VILLA

AWARD

3D

TRADEMARK

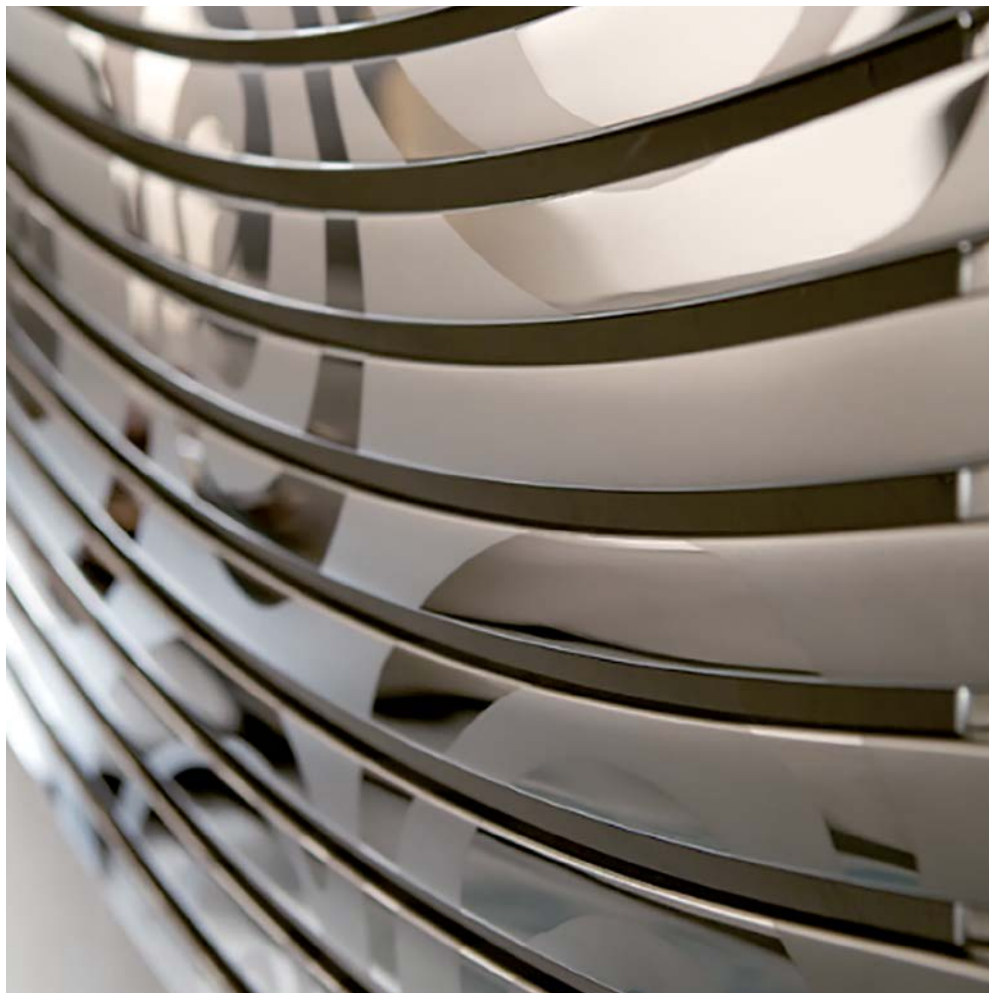
LOLA® RVS Polished Vertical
CORDIVARI Design
L 1516 mm - H 450 mm - Watt 507



LOLA[®] RVS DECOR



LOLA[®] RVS Decor Horizontal
CORDIVARI Design
L 1516 mm - H 450 mm - Watt 507



GOLD VILLA

AWARD

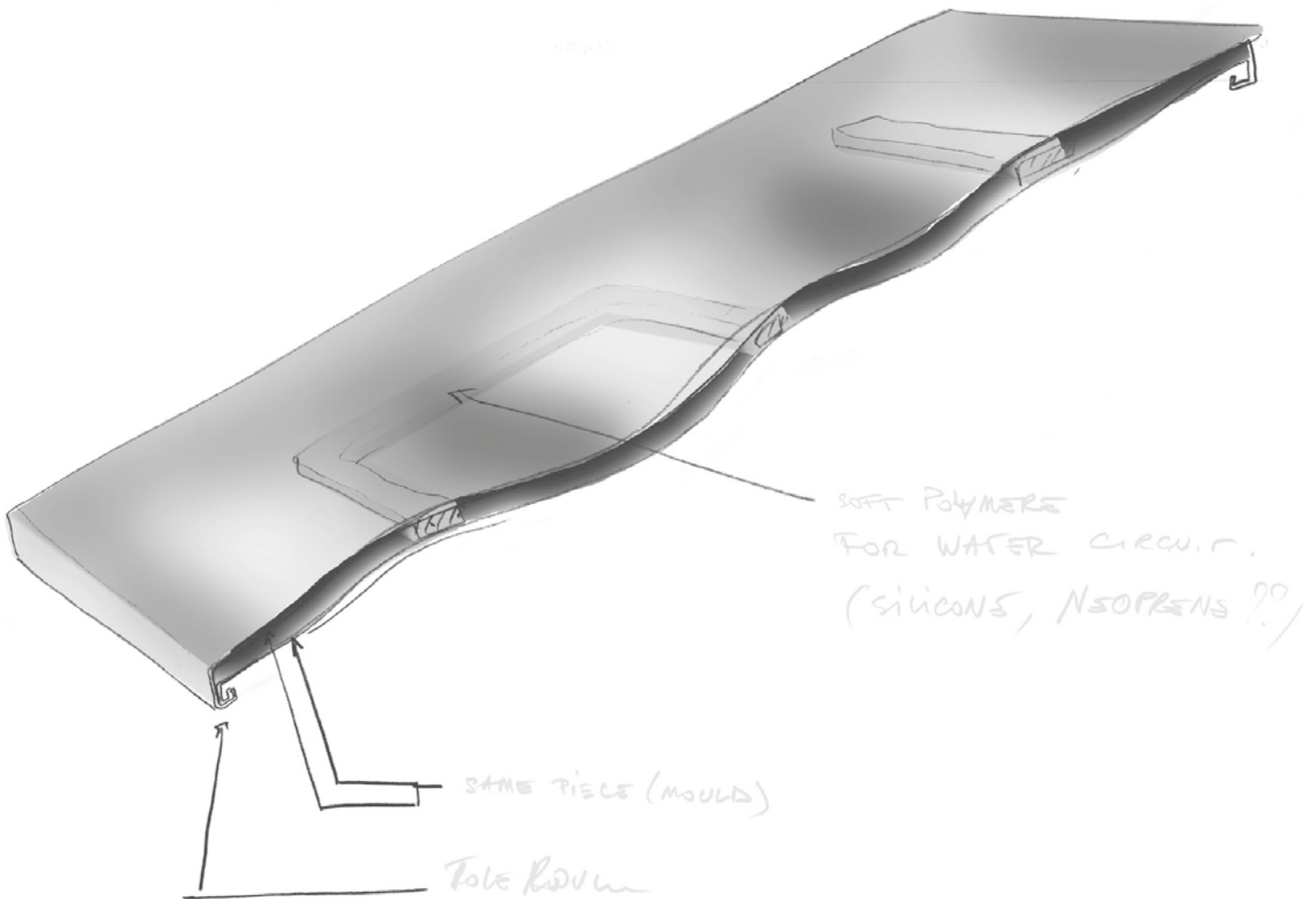
3D

TRADEMARK

BLOW RVS POLISHED



BLOW® RVS Polished Vertical
CORDIVARI Design by Jean-Marie Massaud
L 500 mm - H 1700 mm (x2) - Watt 700 (x2)



reddot design award
best of the best 2012



German
Design Award

NOMINEE 2014

FRAME RVS



FRAME RVS Polished Vertical
CORDIVARI Design
L 480 mm - H 1832 mm - Watt 880



FRAME RVS Polished - Decor Satin Vertical
CORDIVARI Design - Artwork: Mariano Moroni
L 480 mm - H 2032 mm - Watt 978



FRAME RVS
Handdoekbeugel Polished
(Zie pag 217)

STEFANIA RVS

STEFANIA RVS Satin
CORDIVARI Design - L 500 mm - H 1438 mm - Watt 491





STEFANIA RVS Polished
CORDIVARI Design
L 500 mm - H 1438 mm - Watt 446

GIADA RVS

HORIZONTAL





GIADA RVS Polished - Horizontal
CORDIVARI Design
L 1400 mm - H 511 mm - Watt 787

GIADA RVS

VERTICAL



GIADA RVS Polished - Vertical
CORDIVARI Design
L 511 mm - H 1800 mm - Watt 918

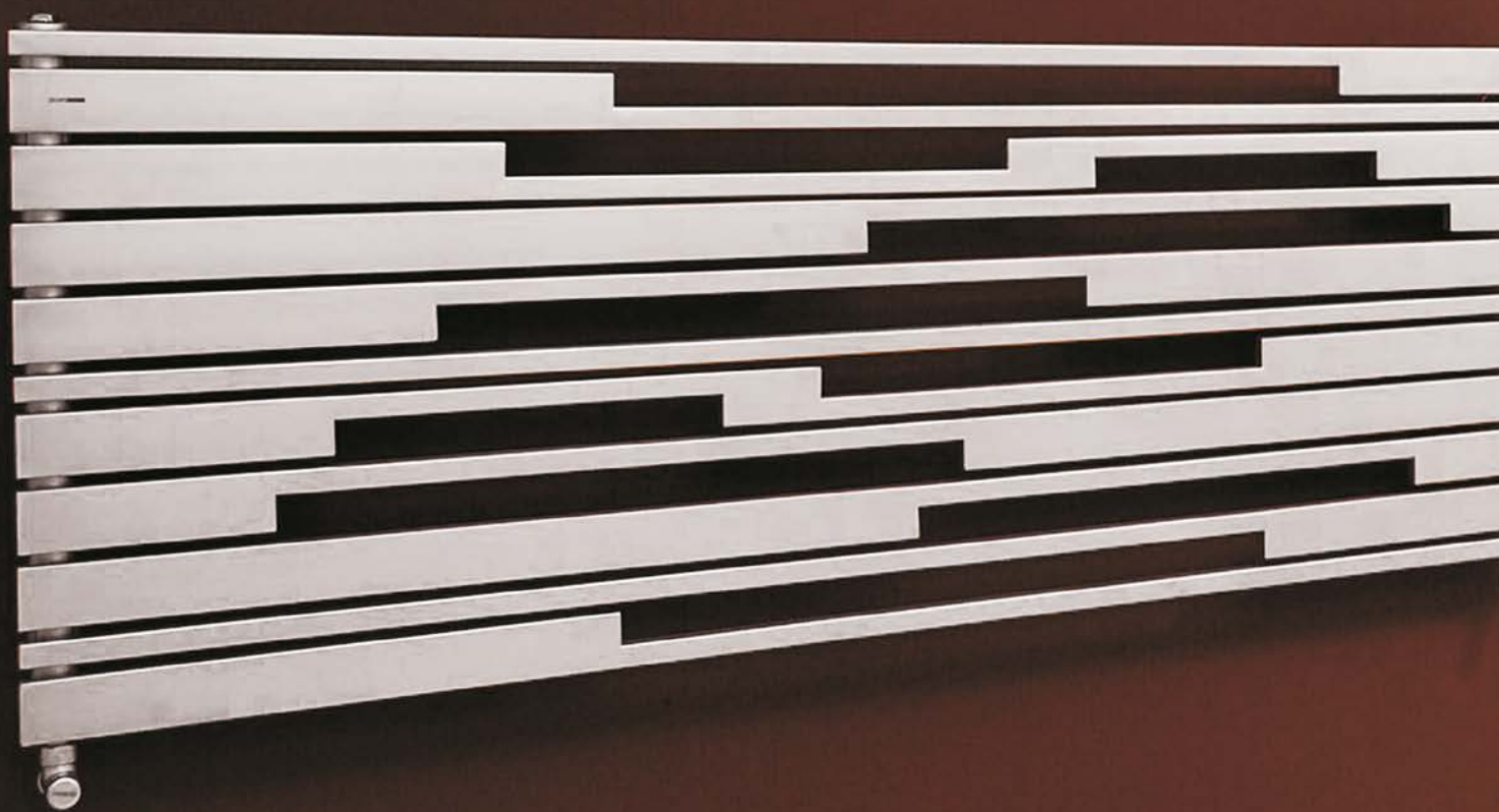


GIADA RVS Polished - Horizontal
CORDIVARI Design



GIADA RVS Satin - Vertical
CORDIVARI Design
L 511 mm - H 1800 mm - Watt 884

STRADIVARI® RVS

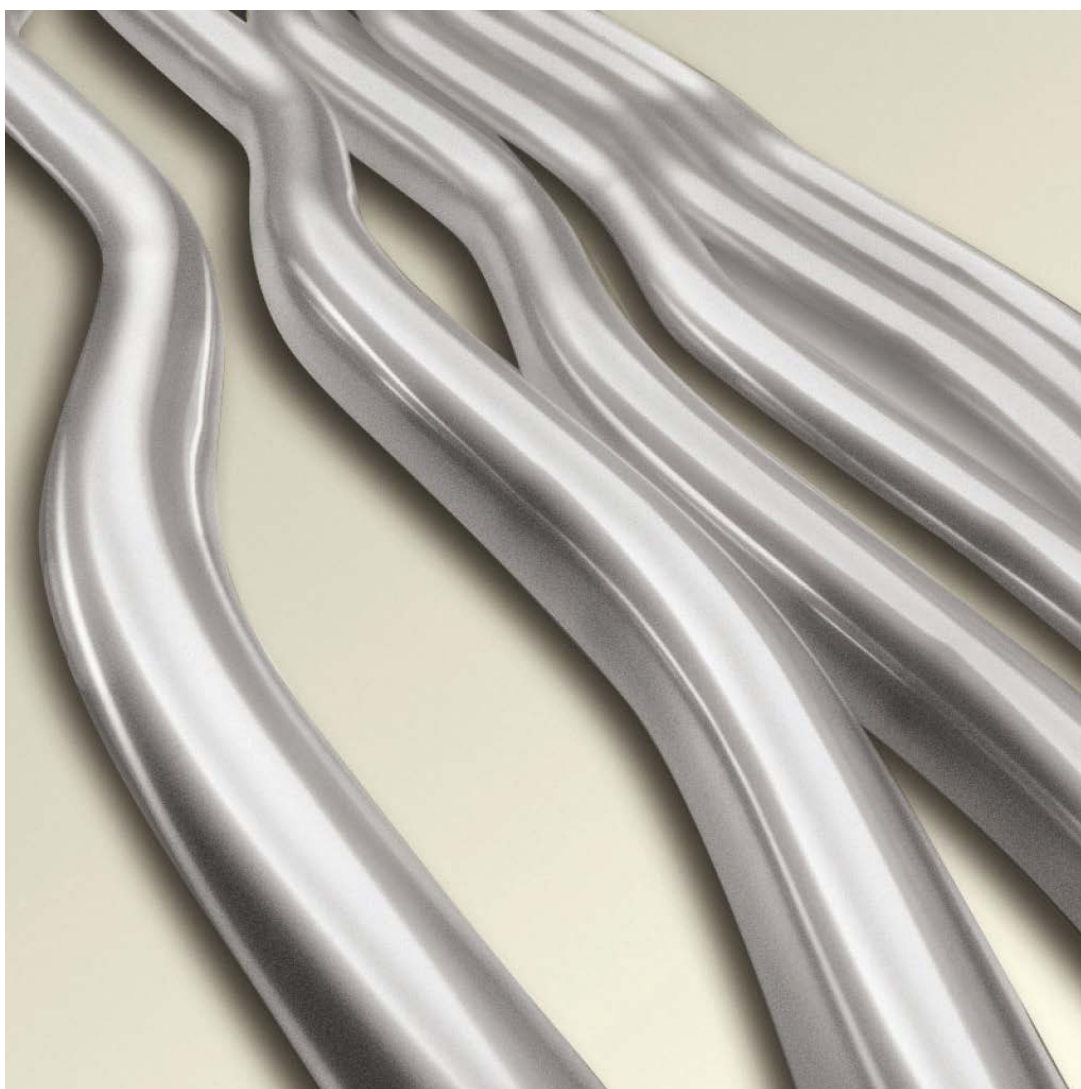


STRADIVARI® RVS Satin Horizontal
CORDIVARI Design - Designer: Luca Scacchetti
L 1600 mm - H 570 mm - Watt 656

STRADIVARI® RVS Satin Vertical
CORDIVARI Design - Designer: Luca Scacchetti
L 660 mm - H 2100 mm - Watt 1084



RIO® RVS





RIO® RVS Polished
CORDIVARI Design - Designer: Paola Pinnavaia
L 671 mm - H 2000mm - Watt 807

KELLY RVS





KELLY RVS Polished
CORDIVARI Design
L 500 mm - H 1406 mm - Watt 489



EXTRA SLIM[®]

MOVIE[®] - E.SIGN[®] - HAND[®]
GIULY[®] - BADGE[®] - JUNGLE[®]

Cordivari Design biedt een nieuwe serie designradiatoren. Dankzij technologisch onderzoek en de bijdrage van belangrijke ontwerpers is de innovatieve ExtraSlim[®]-Line ontwikkeld. Deze designradiatoren voldoen aan de functionele behoeften van verwarmen en brengen tevens een revolutie teweeg. Het resultaat is een reeks onderscheidende ultra dunne radiatoren die de traditionele handdoekwarmers overtreffen. De ExtraSlim[®]-Line van Cordivari Design heeft prestigieuze prijzen gewonnen en internationale onderscheidingen zoals de IF Design Award, de Design Plus Award, Comfort & Design Award, Łazienka Award, de Design Ideobain Nominé, de Iconic Award en de German Design Award.





CORDIVARI **EXTRA SLIM** RADIATOREN



COMFORT & DESIGN
NOMINÉ

MOVIE®



MOVIE® - Color F07 Silver Effect
CORDIVARI Design - Designer: Mariano Moroni
L 642 mm - H 1392 mm - Watt 559



COMFORT & DESIGN
NOMINÉ



E.SIGN®

E.SIGN - Color F25 Quartz Dust
CORDIVARI Design - Germany Award winner 2019
L 520 mm - H 1220 mm - Watt 508





E.SIGN - Color F20 Milky
CORDIVARI Design - Germany Award winner 2019
L 520 mm - H 1220 mm - Watt 508

HAND®



GERMAN
DESIGN
AWARD
NOMINEE
2019

HAND® - Color F15 Metal sparkling black
CORDIVARI Design
L 514 mm - H 1200 mm - Watt 490



GIULY®





CORDIVARI® Distributed by DRL-Products

www.drl-products.nl | www.sneiselect.nl



GIULY® - Color F03 Metal antraciete
CORDIVARI Design - Designer: Mariano Moroni
L 520 mm - H 1590 mm - Watt 714

BADGE®



DESIGN **PLUS**

WINNER
COMFORT & DESIGN
AWARD

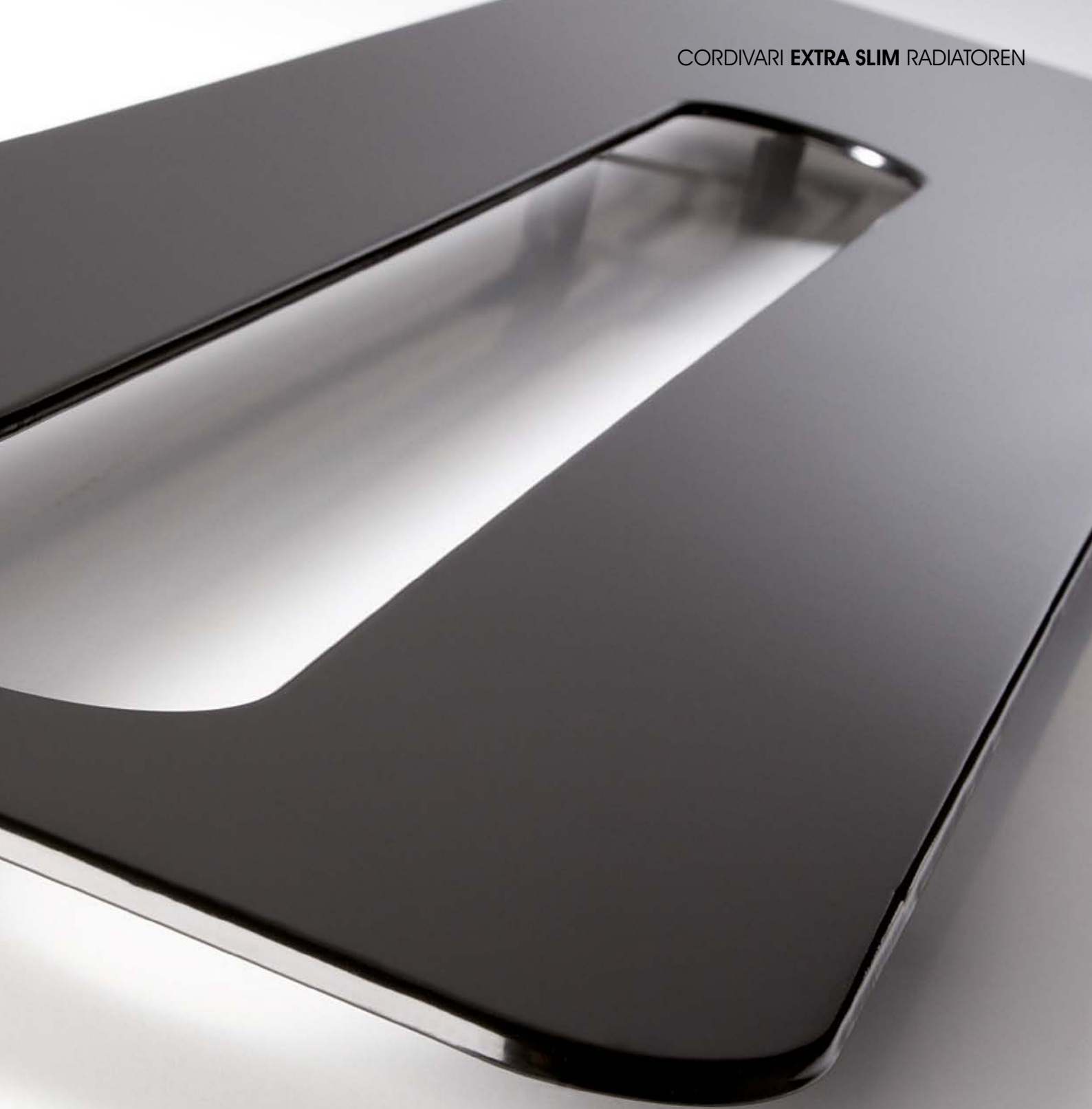
ŁAZIENKA
AWARD
PRIX DU DESIGN IDÉO BAIN
NOMINÉ



MILANO
THE BAR



VERONA
ABITARE IL TEMPO



BADGE®



DESIGN PLUS

WINNER
COMFORT & DESIGN
AWARD

ŁAZIENKA

AWARD
PRIX DU DESIGN IDÉO BAIN
NOMINÉ





BADGE® Vertical - Color H27 Bright red
CORDIVARI Design - Designer: Simone Micheli
L 1755 mm - H 512 mm - Watt 795



BADGE[®]
CONTROL



DESIGN PLUS

WINNER
COMFORT & DESIGN
AWARD

ŁAZIENKA

AWARD
PRIX DU DESIGN IDÉO BAIN
NOMINÉ

BADGE® CONTROL Horizontal
Color R01 Pure white
CORDIVARI Design
CORDIVARI Design - Designer: Simone Micheli
L 1604 mm - H 404 mm - Watt 572

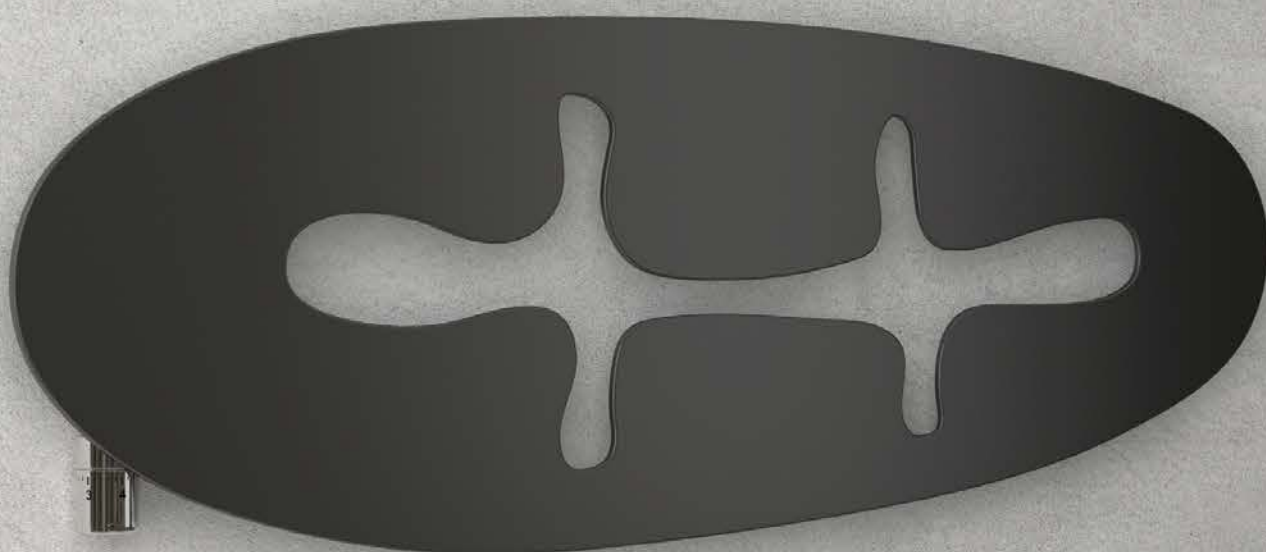
JUNGLE®

JUNGLE® Horizontal - Color F20 Milky
CORDIVARI Design - Designer: Mariano Moroni
L 1500 mm - H 500 mm - Watt 573





JUNGLE® CONTROL



JUNGLE® CONTROL Vertical - Color W01 Notturmo
CORDIVARI Design - Designer: Mariano Moroni
L 1500 mm - H 500 mm - Watt 573



JUNGLE® CONTROL Vertical - Color W01 Pure white
CORDIVARI Design - Designer: Mariano Moroni
L 1500 mm - H 500 mm - Watt 557





NEO DESIGN

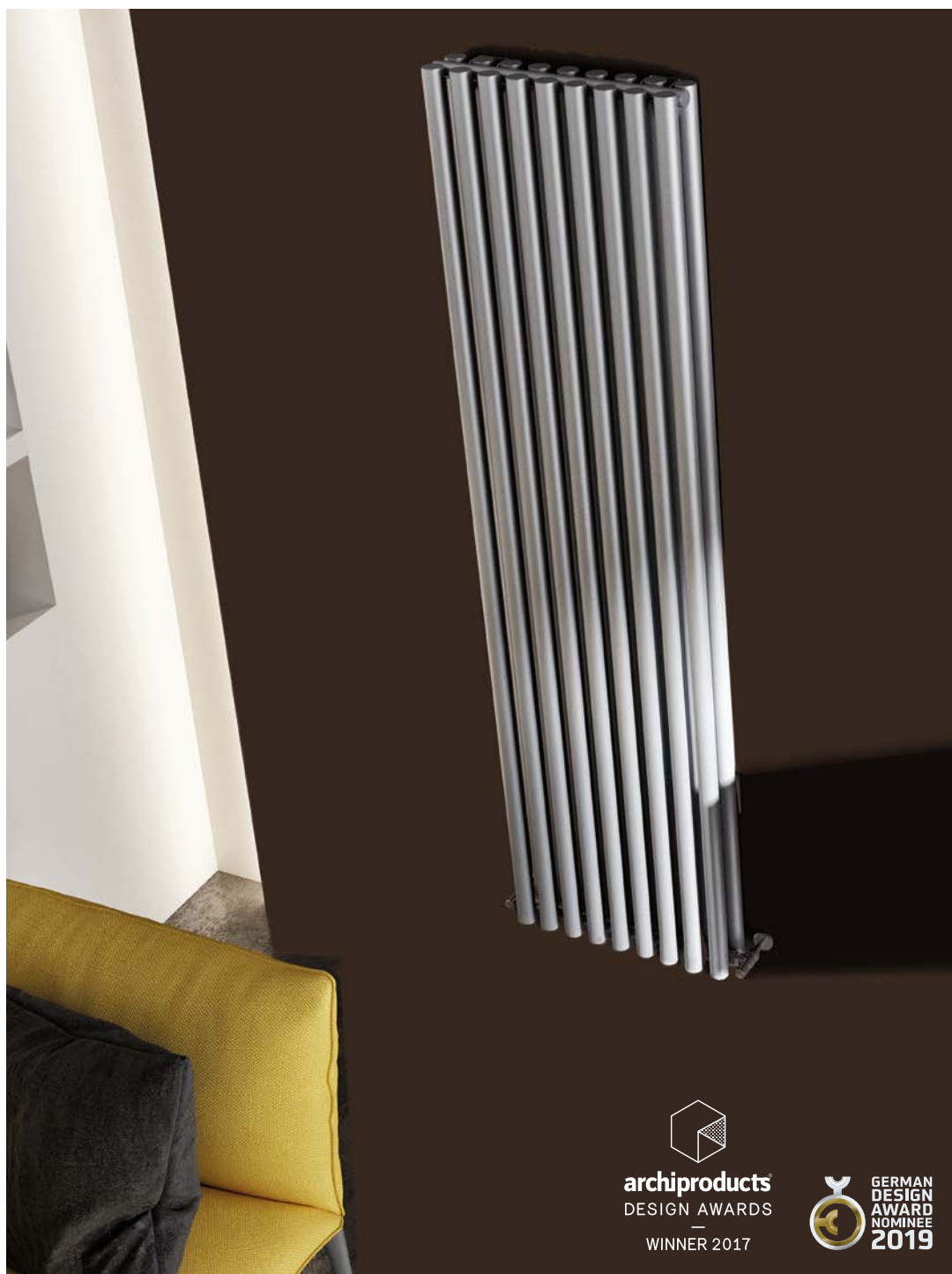
ARIANNA - LUCY - CLAUDIA
KATIA - NAIKE - ROSY
GROOVE - ROADS - FRAME
ALICE - KARIN - KEIRA

De Neo Design-radiatoren van Cordivari design worden beïnvloed door minimalisme. Zuiverheid, essentie van lijnen en architecturale vormen zijn de belangrijkste elementen. Een perfecte synthese tussen esthetiek en functionaliteit garanderen hoge thermische opbrengsten, in lijn met de huidige normen in een energiebesparend perspectief. Het Neo Design-assortiment met zijn unieke stijl is in staat om elk type omgeving te verbeteren.



ARIANNA

ARIANNA Horizontal - Color R27 Metal grey
L 486 mm - H 1830 mm - Watt 1713



archiproducts
DESIGN AWARDS
WINNER 2017

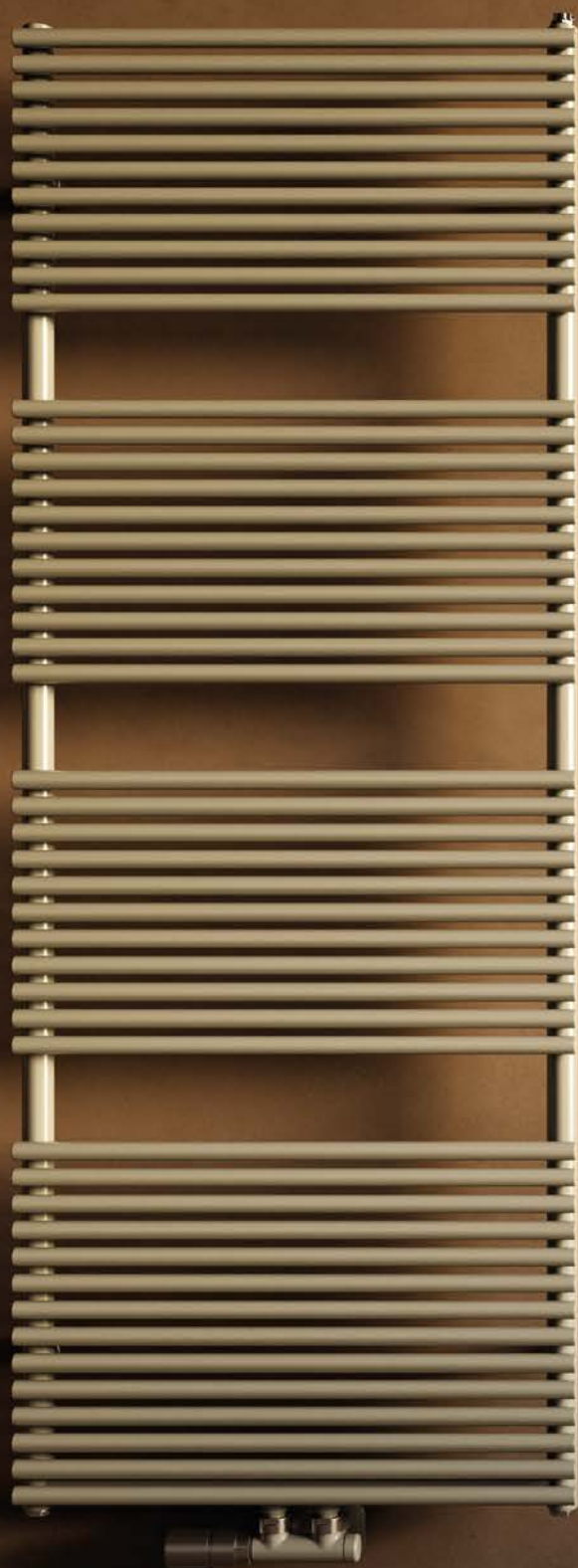


GERMAN
DESIGN
AWARD
NOMINEE
2019



ARIANNA Vertical - Color F04 Graphite grey
L 990 mm - H 630 mm - Watt 1281

LUCY



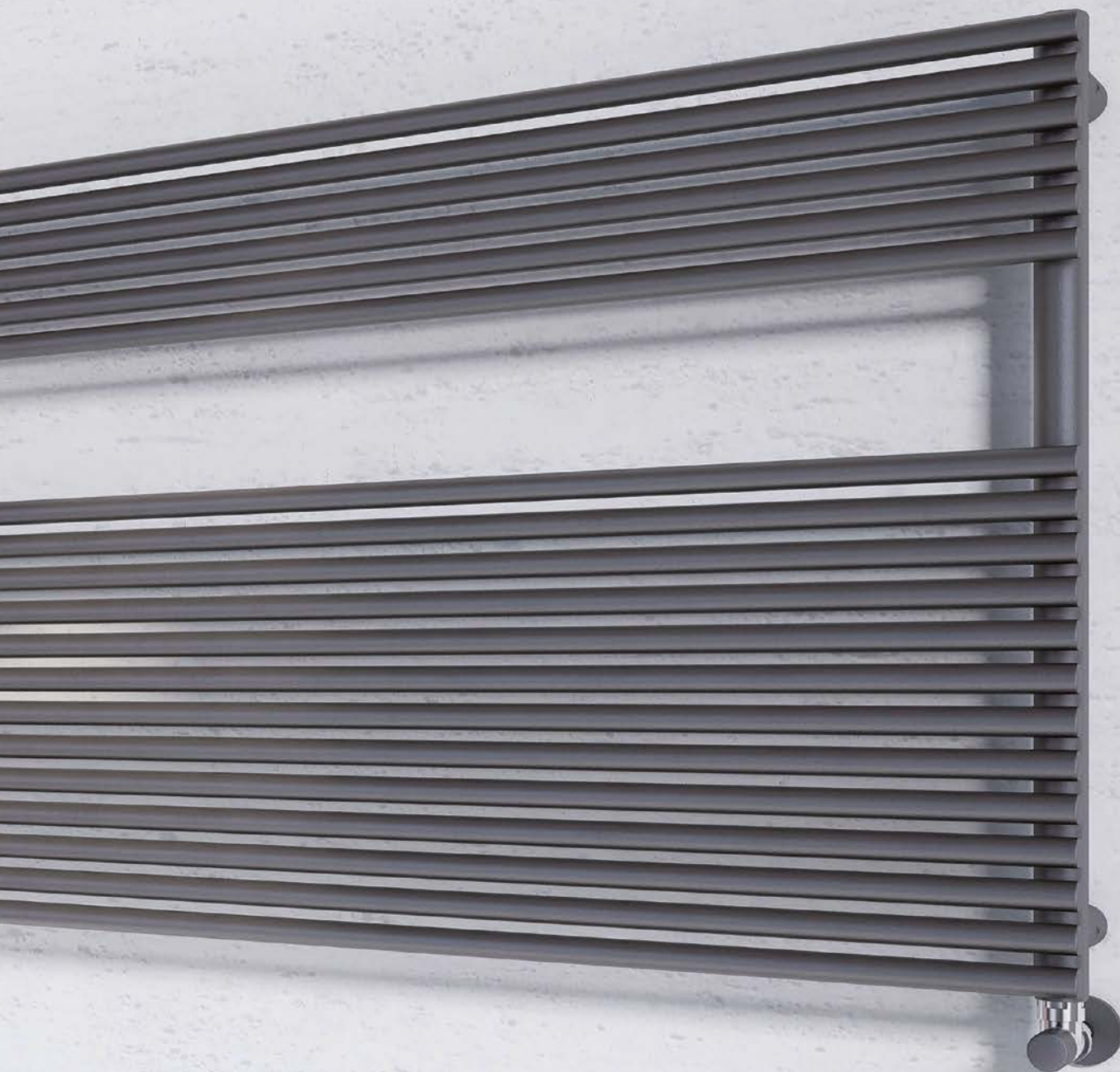
LUCY Vertical - Color RAL 7030 - R22 Stone grey
CORDIVARI Design
L 480 mm - H 1410 mm - Watt 838

LUCY Vertical - Color RAL 9010 - R01 White
CORDIVARI Design
L 480 mm - H 1410 mm - Watt 838



LUCY WIDE





LUCY WIDE - Color S07 Graphite
CORDIVARI Design
L 1400 mm - H 600 mm - Watt 822

CLAUDIA®





CLAUDIA® Vertical - Color RAL 8017 - R09 Dark brown
CORDIVARI Design - Designer: Mariano Moroni
L 450 mm - H 1411 mm - Watt 648

CLAUDIA® WIDE





CLAUDIA® WIDE - Color S02 Manhattan
CORDIVARI Design
L 1200 mm - H 620 mm - Watt 712

KATIA VX





KATIA VX Vertical - Color S17 Bahama beige
CORDIVARI Design
L 500 mm - H 1450 mm - Watt 892

KATIA VX WIDE





KATIA VX WIDE - Color H27 Bright red
CORDIVARI Design
L 1400 mm - H 400 mm - Watt 535

NAIKE



NAIKE COMPACT 50 MM
Color RAL 9016 - R02 Traffic white
CORDIVARI Design
L 530 mm - H 1880 mm - Watt 810

NAIKE - Color H 48 Dove
CORDIVARI Design
L 480 mm - H 1320 mm - Watt 563



ROSY VERTICAL





ROSY Vertical - Color T14 Mat brown
CORDIVARI Design
L 504 mm - H 1800 mm - Watt 1026

ROSY HORIZONTAL





ROSY Horizontal - Color F30 White Sand
CORDIVARI Design
L 1400 mm - H 504 mm - Watt 823

ROSY TANDEM

VERTICAL





ROSY TANDEM Vertical - Color RAL 8017 - R09 Dark Brown
CORDIVARI Design - L 504 mm - H 1800 mm - Watt 1485

ROSY TANDEM

HORIZONTAL





ROSY TANDEM Horizontal - Color RAL 9010 - R01 White
CORDIVARI Design
L 1400 mm - H 448 mm - Watt 1271

ROSY MAX

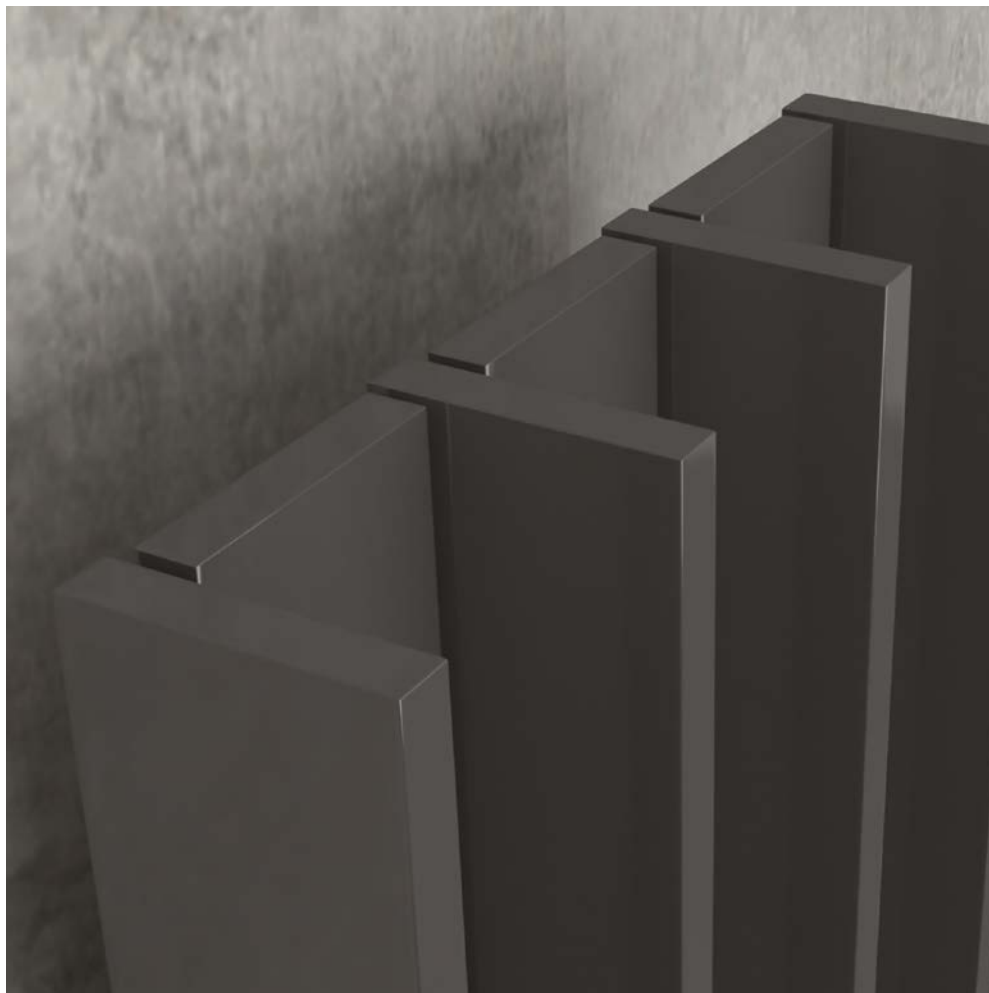




ROSY MAX - Color F31- Corten Brown
CORDIVARI Design
L 778mm - H 1800 mm - Watt 3500

GROOVE®





CORDIVARI® Distributed by DRL-Products

www.drl-products.nl | www.snelselect.nl

GROOVE® - Color R02 Traffic white
CORDIVARI Design - Designer: Mariano Moroni
L 416 mm - H 2000 mm - Watt 1460

ROADS®

ROADS® - Color R02 Traffic white
CORDIVARI Design - Designer: Mariano Moroni
L 496 mm - H 1800 mm - Watt 1315





ROADS® - Color F S02 - Manhattan
CORDIVARI Design - Designer: Mariano Moroni
L 496 mm - H 1800 mm - Watt 1315



ROADS®STF

ROADS®STF - Color F09 Graphite Grey
Afedekprofiel: Chroom
CORDIVARI Design - Designer: Mariano Moroni
L 1188 mm - H 740 mm - Watt 1506



Afdekprofielen: Chroom of in bijpassende kleur van radiator (linksonder)

FRAME



FRAME

Color RAL 1004 - R06 Gold
CORDIVARI Design
L 464 mm - H 1632 mm - Watt 1241





FRAME PLUS - Color T11- Matt white
CORDIVARI Design L 480 mm - H 1622 mm - Watt 1241
Optioneel: Polished RVS Handdoek beugels

ALICE



ALICE Vertical
Color RAL 8007- R09 Dark brown - CORDIVARI Design
L 511 mm - H 1800 mm - Watt 1264



CORDIVARI® Distributed by DRL-Products

www.drl-products.nl | www.sneiselect.nl

ALICE Horizontal - Color RAL 3003- R08 Ruby Red
CORDIVARI Design
L 1400 mm - H 511 mm - Watt 1138

A modern interior scene featuring a tall, white vertical radiator with many thin vertical tubes. To the left, a black floor lamp with a long, thin neck and a circular light head stands on a black base. The background is a dark, textured wall. The text 'ALICE TANDEM VERTICAL' is centered in white.

ALICE TANDEM VERTICAL

ALICE TANDEM Vertical - Color RAL 9010 - R01 White
CORDIVARI Design
L 511 mm - H 1800 mm - Watt 1802

CORDIVARI® Distributed by DRL Products

www.drl-products.nl | www.snelselect.nl



CORDIVARI® Distributed by DRL-Products

www.drl-products.nl | www.smeiselect.nl

ALICE TANDEM

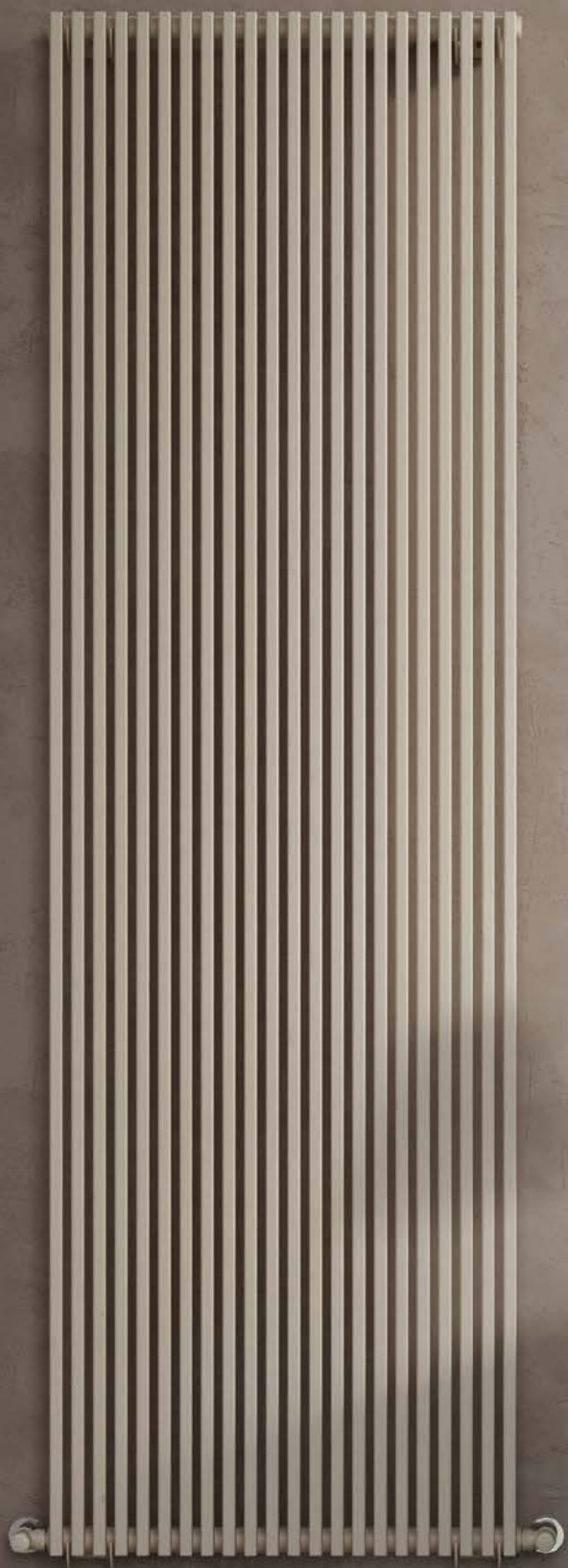
HORIZONTAL



ALICE TANDEM Horizontal - Color H04 Ice
CORDIVARI Design
L 1400 mm - H 511 mm - Watt 1653



KARIN VX



KARIN VX Vertical
Color S03 Pergamon
CORDIVARI Design
L 550 mm - H 1800 mm - Watt 1467

CORDIVARI® Distributed by DRL Products

www.drl-products.nl | www.snelselect.nl

KARIN VX TANDEM



KARIN VX TANDEM Vertical
Color RAL 9016 - R02 Traffic white
CORDIVARI Design
L 550 mm - H 1800 mm - Watt 2079



KEIRA

KEIRA Vertical - Color RAL 9001- R14 Cream
CORDIVARI Design
L 473 mm - H 1800 mm - Watt 1486



CORDIVARI® Distributed by DRL-Products

www.drl-products.nl | www.sneiselect.nl

KEIRA TANDEM

KEIRA TANDEM - Color F26 Dark aluminium
CORDIVARI Design
L 1043 mm - H 640 mm - Watt 2121



PRIJSLIJST

CORDIVARI

DESIGN

3

Productontwikkeling is een continu proces, alle in deze catalogus/ prijslijst vermelde gegevens zijn daarom onder voorbehoud. Ook kan DRL Products BV niet verantwoordelijk worden gesteld voor eventuele drukfouten.

< Let op oude Prijzen! 96

RADIATOREN EN ACCESSOIRES P R I J S L I J S T

Bekijk in deze CORDIVARI prijslijst uw gewenste radiator en bestel uw CORDIVARI radiatoren bij een van onze groothandelaren of raadpleeg het DRL 'SnelSelect' selectie- en bestelsysteem: www.snelselect.nl

'SnelSelect' is een uniek selectieprogramma. U kunt hiermee snel, eenvoudig, maar vooral zonder fouten al onze radiatoren selecteren.

Wilt u graag advies over een CORDIVARI radiator? Onze deskundige medewerkers staan u graag te woord. DRL products is exclusief distributeur van de CORDIVARI Design radiatoren uit Italië. Verrassende productietechnieken zijn in combinatie met roestvrijstaal en de sublieme afwerking kenmerkend voor radiatoren van het merk Cordivari.

CORDIVARI DESIGN



CORDIVARI INOX STYLE RADIATOREN
0 1 . 0 7 . 2 0 2 1

INOX STYLE

LOLA - BLOW - FRAME - STEFANIA
GIADA - STRADIVARI - RIO - KELLY

RVS wordt steeds vaker toegepast in de architectuur en industrieel design, niet alleen om zijn prestatie maar vooral door zijn visuele lichtheid. De lichtreflectie die door de RVS radiatoren worden gecreëerd of de elegantie van de Polished of Satin finish, garanderen een exclusieve touch en prestige in uw badkamer. RVS is 100 recyclebaar, beschermd tegen corrosie en heeft een oneindige levensduur.

CORDIVARI DESIGN

DRL CORDIVARI LOLA® RVS POLISHED/SATIN

INOX



LOLA RVS Polished HZ

De Cordivari Lola® RVS radiator uit de serie Inox, is samengesteld uit verticale ronde collectoren, waar horizontale rond gebogen platte RVS verwarmingselementen op zijn gelast. Lola® RVS is uitgevoerd in RVS Polished of RVS Satin en verkrijgbaar in horizontale en verticale uitvoering. De radiator kan worden verfraaid met diverse accessoires, zoals een breed assortiment van Design kranen.

Comfort en relax worden gevormd in de Lola® RVS radiator, met een gebogen en rond design. Lola vangt je ogen door een reflectie van licht gecreëerd door de gepolijste finish of door de elegantie van de satijnen afwerking, om iedere woonruimte uniek en comfortabel te maken.

GOLD VILLA
AWARD

15 JAAR
GARANTIE

3D
TRADEMARK



LOLA RVS Satin



LOLA® RVS Polished VT

- **Materiaal:** Horizontale/verticale RVS collectoren Ø 38 mm.
Horizontale/verticale RVS gebogen verwarmingselementen 30x10 mm.
- **Hoogte:** 450, 570 en 1516 mm.
- **Lengte:** 1516 en 450 mm
- **Dieptes:** Diepte radiator: 48 mm. (=collector+verwarmingselement)(D1)
Afstand vanaf de muur tot voorkant radiator: 97-110 mm. (D2)
Afstand vanaf de muur tot het hart van de aansluiting: 68-81 mm.(D3)
- **Aansluitingen:** (2x ½") A/R + (1x½") ontluchter(HZ), (2x ½") A/R + (1x1/8") ontluchter(HZ)
- **P. Max:** 8 bar.
- **Werking:** Centrale verwarming.
- **T. Max:** 110°C.
- **Montageset:** Wandbeugel, ontluchter, zeskant sleutel, pluggen en schroeven voor montage in volle steen of holle wand en gebruikershandleiding.
- **Verpakking:** Beschermd d.m.v. recyclebaar karton, voorzien van polyethyleen folie.

- **Kleur:** RVS Polished of Satin.
- **Garantie:** 15 jaar fabrieksgarantie.
- **SnelSelect:** Door middel van ons SnelSelect-programma kunt u ook via het internet snel, eenvoudig en foutloos selecteren.
U kunt het SnelSelect-programma gebruiken via www.snelselect.nl.
- **Kranensets:** DRL DESIGN KRANEN, zie *INDEX pag. 6-7*.

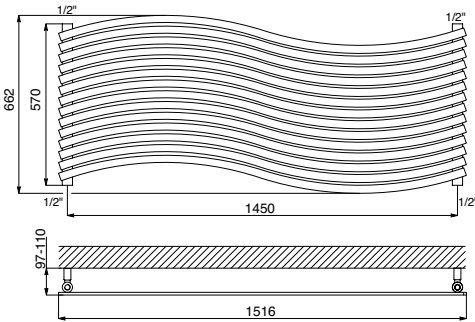


DRL CORDIVARI LOLA® RVS POLISHED/SATIN

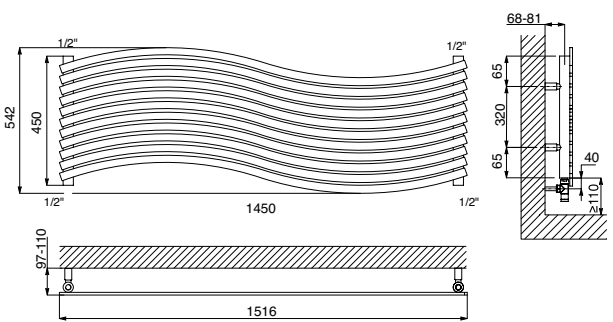
INOX

DRL ART.NR.	OMSCHRIJVING:	SERIE	AANTAL ELEM.	HOOGTE H (mm)	LENGTE L (mm)	DIEPTE D1 (mm)	DIEPTE D2 (mm)	DIEPTE D3 (mm)	GEWICHT (kg)	INHOUD (l)	VERMOGEN Watt/75/65/20	PRIJS € RVS
300101	LOLA RVS Polished Horizontal 450x1516	Inox	11	450	1516	40	97-110	68-81	15,5	4,1	507	1.502
300102	LOLA RVS Polished Horizontal 570x1516	Inox	14	570	1516	40	97-110	68-81	19,0	5,2	648	1.853
300103	LOLA RVS Satin Horizontal 450x1516	Inox	11	450	1516	40	97-110	68-81	15,5	4,1	549	1.502
300104	LOLA RVS Satin Horizontal 570x1516	Inox	14	570	1516	40	97-110	68-81	19,0	5,1	698	1.853
300201	LOLA RVS Polished Vertical 1516x450	Inox	11	1516	450	40	97-110	68-81	15,5	4,1	507	1.502
300202	LOLA RVS Polished Vertical 1516x570	Inox	14	1516	570	40	97-110	68-81	19,0	5,1	645	1.853
300203	LOLA RVS Satin Vertical 1516x450	Inox	11	1516	450	40	97-110	68-81	15,5	4,1	557	1.502
300204	LOLA RVS Satin Vertical 1516x570	Inox	14	1516	570	40	97-110	68-81	19,0	5,1	708	1.853

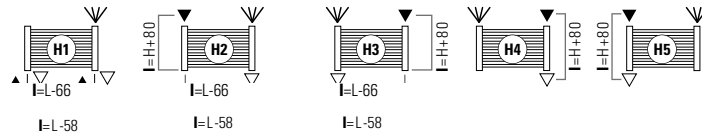
Lola RVS Horizontal 14 Elementen



Lola RVS Horizontal 11 Elementen



STANDAARDAANSLUITINGEN H



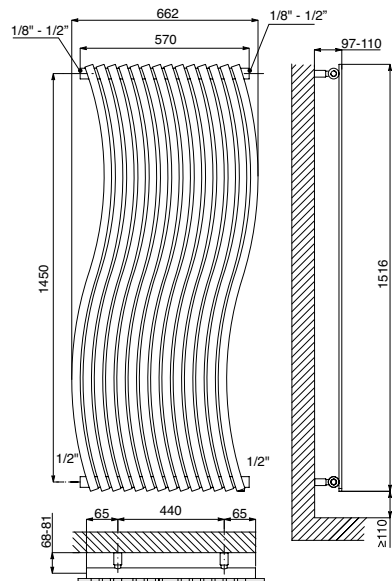
SPECIALE AANSLUITINGEN (Prijstoeslag € 62,-)



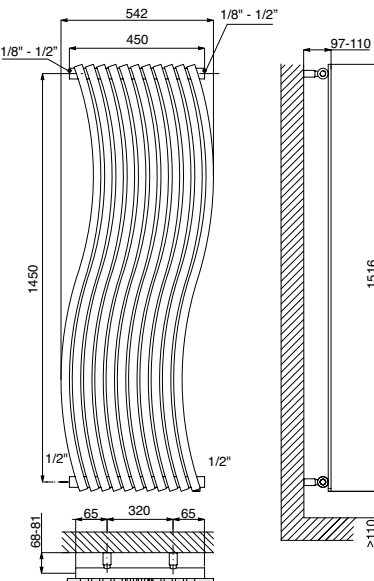
LEGENDA

▶ Aanvoer ◀ Retour ◀ Ontluchter H Hoogte I Op het hart L Lengte □ Aansluiting | Blindstop

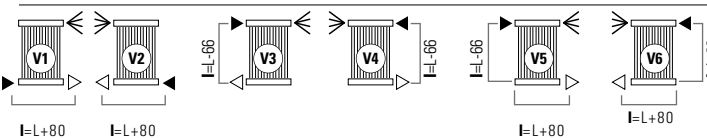
Lola RVS Vertical 14 Elementen



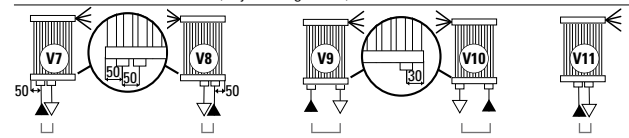
Lola RVS Vertical 11 Elementen



STANDAARDAANSLUITINGEN V



SPECIALE AANSLUITINGEN V (Prijstoeslag € 62,-)



Bij bestelling dient u altijd de gewenste standaard aansluiting op te geven: (van V1 tot V6).

Bij bestelling dient u altijd de gewenste aansluiting op te geven: (van V7,V8,V9,V10,V11).



DRL CORDIVARI LOLA® RVS DECOR

INOX



De Cordivari Lola® RVS Decor radiator uit de serie Inox, is een variatie op de Lola RVS radiator en is samengesteld uit verticale ronde collectoren, waar horizontale rond gebogen platte RVS verwarmingselementen op zijn gelast.

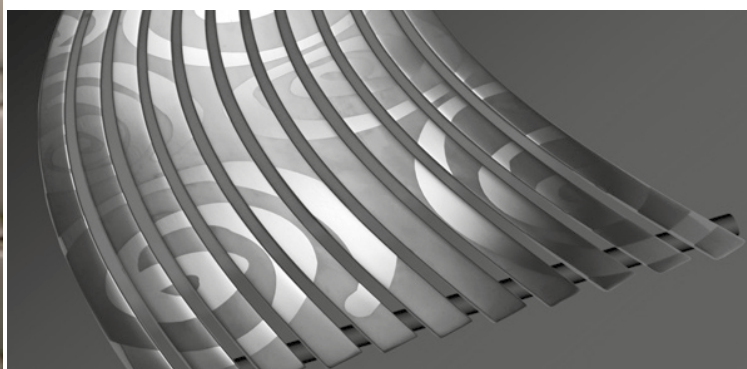
Lola® RVS Decor is uitgevoerd in RVS Polished als achtergrond, aangevuld met grafische figuren en verkrijgbaar in horizontale en verticale uitvoering. De radiator kan worden verfraaid met diverse accessoires, zoals een breed assortiment van Design kranen.

Comfort en relax worden gevormd in de Lola® RVS radiator, met een gebogen en rond design. Lola vangt je ogen door een reflectie van licht gecreëerd door de gepolijste finish of door de elegantie van de satijnen afwerking, om iedere woonruimte uniek en comfortabel te maken.

GOLD VILLA
AWARD

15 JAAR
GARANTIE

3D
TRADEMARK



- Materiaal: Horizontale/verticale RVS collectoren Ø 38 mm.
Horizontale/verticale RVS gebogen verwarmingselementen 30x10 mm.
- Hoogte: 450, 570 en 1516 mm.
- Lengte: 1516 en 450 mm.
- Dieptes: Diepte radiator: 48 mm. (D1)
Afstand vanaf de muur tot voorkant radiator: 97-110 mm. (D2)
Afstand vanaf de muur tot het hart van de aansluiting: 68-81 mm.(D3)
- Aansluitingen: (2x ½") A/R + (1x½") ontluchter(HZ), (2x ½") A/R + (1x1/8") ontluchter(HZ).
- P. Max: 8 bar.
- Werking: Centrale verwarming.
- T.Max: 110°C.
- Montageset: Wandbeugel, ontluchter, zeskant sleutel, pluggen en schroeven voor montage in volle steen of holle wand en gebruikershandleiding.
- Verpakking: Beschermd d.m.v. recyclebaar karton, voorzien van polyethyleen folie.

- Kleur: RVS Decor Polished.
- Garantie: 15 jaar fabrieksgarantie.
- SnelSelect: Door middel van ons SnelSelect-programma kunt u ook via het internet snel, eenvoudig en foutloos selecteren.
U kunt het SnelSelect-programma gebruiken via www.snelselect.nl.
- Kranensets: DRL DESIGN KRANEN, zie INDEX pag. 6-7.

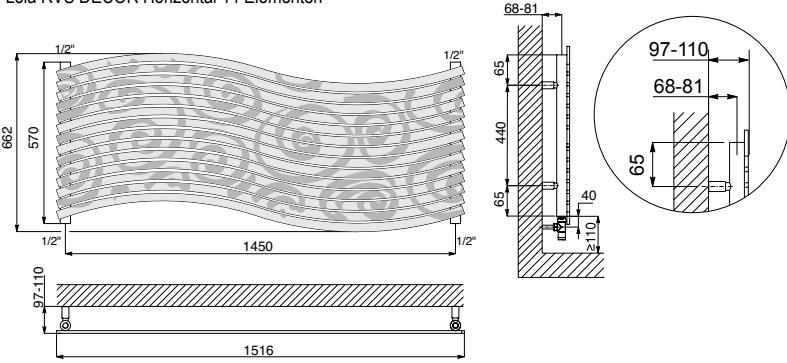


DRL CORDIVARI LOLA® RVS DECOR

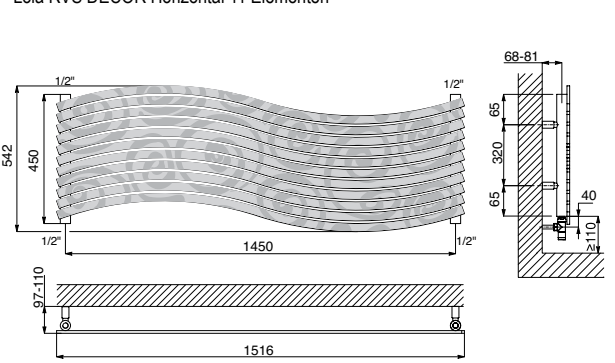
INOX

DRL ART.NR.	OMSCHRIJVING:	SERIE	AANTAL ELEM.	HOOGTE H (mm)	LENGTE L (mm)	DIEPTE D1 (mm)	DIEPTE D2 (mm)	DIEPTE D3 (mm)	GEWICHT (kg)	INHOUD (l)	VERMOGEN Watt/75/65/20	PRIJS € RVS
300105	LOLA DECOR Horizontal 450x1516	Inox	11	450	1516	40	97-110	68-81	15,5	4,1	484	2.491
300106	LOLA DECOR Horizontal 570x1516	Inox	14	570	1516	40	97-110	68-81	19,0	5,1	616	3.023
300205	LOLA DECOR Vertical 1516x450	Inox	11	1516	450	40	97-110	68-81	15,5	4,1	507	2.491
300206	LOLA DECOR Vertical 1516x570	Inox	14	1516	570	40	97-110	68-81	19,0	5,1	645	3.023

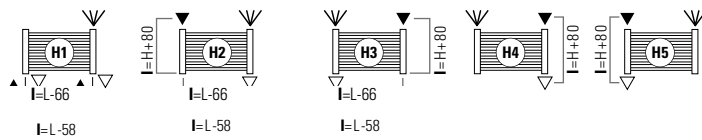
Lola RVS DECOR Horizontal 14 Elementen



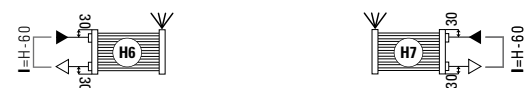
Lola RVS DECOR Horizontal 11 Elementen



STANDAARDAANSLUITINGEN H



SPECIALE AANSLUITINGEN (Prijstoeslag € 62,-)

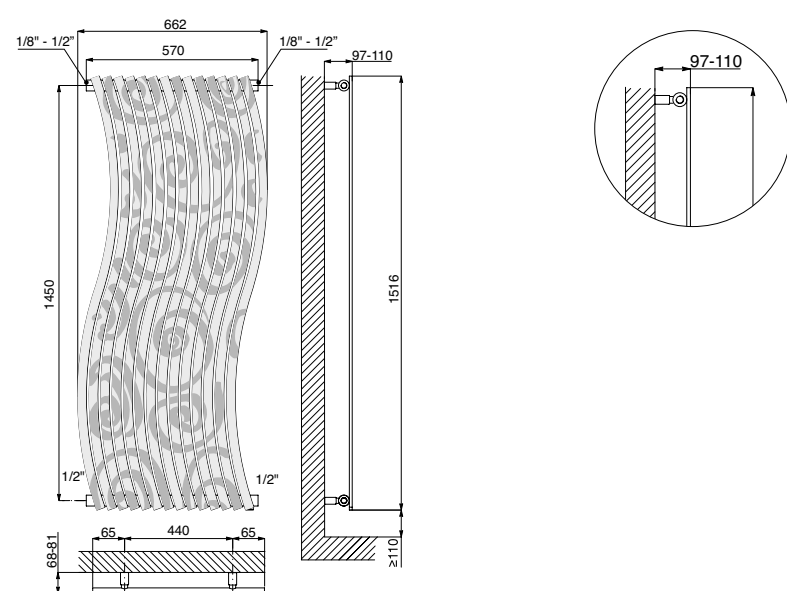


LEGENDA

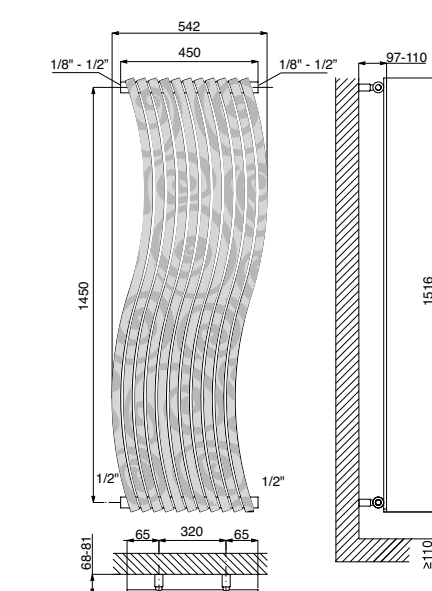
► Aanvoer ◄ Retour ◀ Ontluchter H Hoogte I Op het hart L Lengte □ Aansluiting | Blindstop
Lola RVS DECOR Horizontal 14 Elementen

Lola RVS DECOR Horizontal 11 Elementen

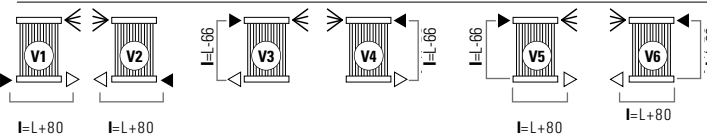
Lola RVS DECOR Vertical 14 Elementen



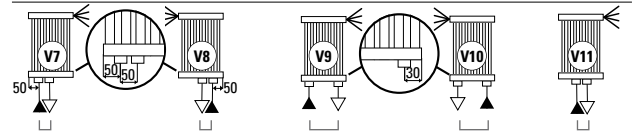
Lola RVS DECOR Vertical 11 Elementen



STANDAARDAANSLUITINGEN V



SPECIALE AANSLUITINGEN V (Prijstoeslag € 62,-)



Bij bestelling dient u altijd de gewenste standaard aansluiting op te geven: (van V1 tot V6).

Bij bestelling dient u altijd de gewenste aansluiting op te geven: (van V7,V8,V9,V10,V11).

LEGENDA

► Aanvoer ◄ Retour ◀ Ontluchter H Hoogte I Op het hart L Lengte □ Aansluiting | Blindstop



DRL CORDIVARI BLOW® RVS POLISHED

INOX



De Cordivari Blow® RVS radiator uit de serie Inox, heeft een enkele verwarmingsplaat uitgevoerd in RVS Polished met een totale dikte van 30 mm. De Blow® RVS radiator is volledig uitgevoerd in RVS Polished en verkrijgbaar in zowel horizontale als verticale uitvoering.

De radiator kan worden verfraaid met diverse accessoires, zoals een breed assortiment van Design kranen.

Cordivari ontwerper Jean Marie Massaud heeft deze BLOW® radiator ontworpen. Deze radiator is geschikt voor iedere leefomgeving en combineert efficiëntie en hoge kwalitatieve verwarmingstechnologie met excellente prestaties. Het is een simpel en geraffineerd architectonisch concept dat eenvoudig te monteren is en in ieder interieur past.



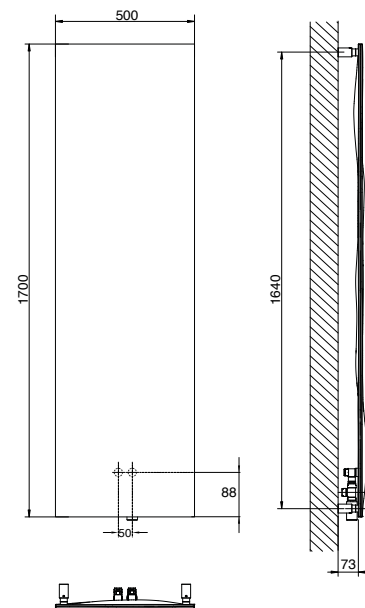
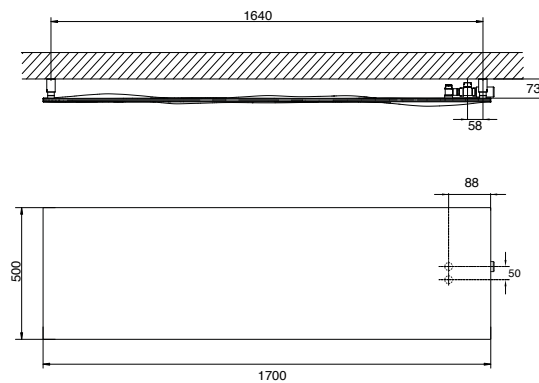
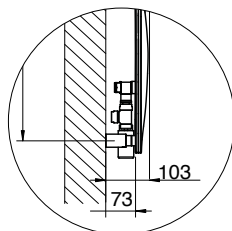
Jean Marie
Massaud



German
Design Award



reddot design award



DRL ART.NR.	OMSCHRIJVING	SERIE	HOOGTE H (mm)	LENGTE L (mm)	H.O.H l (mm)	DIEPTE D1 (mm)	DIEPTE D2 (mm)	DIEPTE D3 (mm)	GEWICHT (kg)	INHOUD (l)	VERMOGEN Watt/75/65/20	PRIJS € RVS
300301	BLOW COMPACT 50mm RVS Polished Horizontal 500x1700	Inox	500	1700	50	10	103	73	18,7	1,3	700	2.926
300401	BLOW COMPACT 50mm RVS Polished Vertical 1700x500	Inox	1700	500	50	10	103	73	18,7	1,3	700	2.926

- Materiaal: Enkele verwarmingsplaat in RVS met een dikte van 30 mm.
- Hoogte: 500 en 1700 mm.
- Lengte: 1700 en 500 mm.
- Dieptes: Diepte radiator: 30 mm. (D1)
Afstand vanaf de muur tot voorkant radiator: 103 mm.(D2)
Afstand vanaf de muur tot het hart van de aansluiting: 73 mm (D3).
- P. Max: 5 bar.
- Werking: Centrale verwarming.
- T.Max: 110°C.
- Montageset: Wandbeugel, ontlufter, zeskant sleutel, pluggen en schroeven voor montage in volle steen of holle wand en gebruikershandleiding.

- Aansluitset: Inbegrepen: afsluiters en thermostaatknop.
Fittingen voor koperen pijp Ø 12/14/15 mm.
Fittingen voor multilayerbuis Ø 16 mm.
- Kleur: RVS Polished.
- Garantie: 5 jaar fabrieksgarantie.
- SnelSelect: Door middel van ons SnelSelect-programma kunt u ook via het internet snel, eenvoudig en foutloos selecteren.
U kunt het SnelSelect-programma gebruiken via www.snelselect.nl.



DRL CORDIVARI FRAME RVS /PLUS-POLISHED-DECOR

INOX



De Cordivari Frame RVS radiator uit de serie Inox, is samengesteld uit een horizontale collector waarop verticale verwarmingselementen zijn gelast.

Frame is uitgevoerd in gepoedercoat carbonstaal. De verwarmingsplaat is uitgevoerd in RVS Polished of RVS Satin en is verkrijgbaar in verticale uitvoering. De radiator kan worden verfraaid met diverse accessoires, zoals een breed assortiment van Design kranen.

De Frame RVS radiator heeft 2 variaties:

- Frame RVS Polished Plus voorzien van 2 RVS verwarmingsplaten.
- Frame RVS Decor heeft een gepolijste basis als achtergrond, aangevuld met grafische figuren en heeft ook een Plus variatie.

De Frame RVS radiator heeft een onvergelijkbaar design, toepasbaar voor de meest mooie woonomgeving. Puur design met diversen mogelijkheden.

Frame RVS Polish, produceert verschillende lichteffecten en Frame Inox Decor heeft een gepolijste basis als achtergrond, aangevuld met grafische figuren.



- **Materiaal:** Horizontale collector uitgevoerd in gecoat carbonstaal met een diameter van Ø 30 mm. Verwarmingselementen in gecoat carbonstaal. Enkele of dubbele verwarmingsplaat, in Polished RVS.
- **Hoogte:** 1822 en 2022 mm.
- **Lengte:** 464 en 576 mm.
- **Dieptes:** Diepte radiator: 30 mm. (D1)
Afstand vanaf de muur tot voorkant radiator: 73 mm, 81 mm (PLUS). (D2)
Afstand vanaf de muur tot het hart van de aansluiting: 48 mm. (D3)
- **Aansluitingen:** (2x 1/2") A/R + (1x1/8") ontluchter.
- **P. Max:** 5 bar
- **Werking:** Centrale verwarming.
- **T. Max:** 110°C.
- **Montageset:** Wandbeugel, ontluchter, zeskant sleutel, pluggen en schroeven voor montage in volle steen of holle wand en gebruikershandleiding.
- **Verpakking:** Beschermd d.m.v. recyclebaar karton, voorzien van polyethyleen folie.

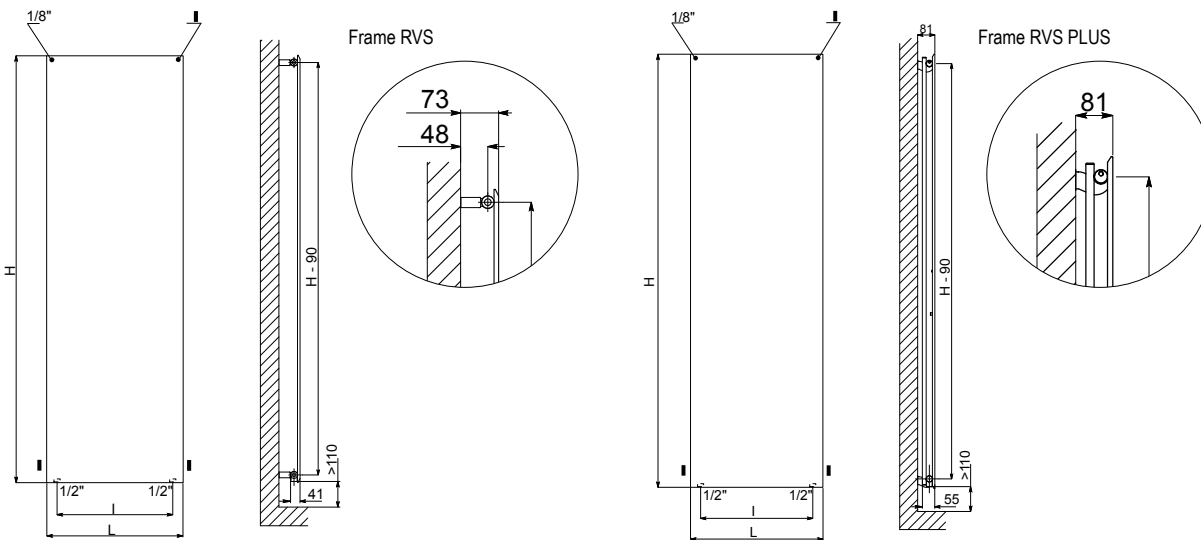
- **Kleur:** RVS Polished of Satin en Decor (+Grafische figuren).
- **Garantie:** 5 jaar fabrieksgarantie.
- **SnelSelect:** Door middel van ons SnelSelect-programma kunt u ook via het internet snel, eenvoudig en foutloos selecteren. U kunt het SnelSelect-programma gebruiken via www.snelselect.nl.
- **Kranensets:** DRL DESIGN KRANEN, zie INDEX pag. 6-7.



DRL CORDIVARI FRAME RVS /PLUS-POLISHED-DECOR

INOX

DRL ART.NR.	OMSCHRIJVING	SERIE	HOOGTE H (mm)	LENGTE L (mm)	H.O.H l (mm) V09-V10	DIEPTE D1 (mm)	DIEPTE D2 (mm)	DIEPTE D3 (mm)	GEWICHT (kg)	INHOUD (l)	VERMOGEN Watt/75/65/20	PRIJS € RVS
300501	FRAME RVS Polished 1832x464	Inox	1822	464	388	10	73	48	16,8	5,8	880	1.486
300502	FRAME RVS Polished 1832x576	Inox	1822	576	500	10	73	48	20,8	7,2	1100	1.700
300503	FRAME RVS Polished 2032x464	Inox	2022	464	388	10	73	48	18,4	6,4	978	1.585
300504	FRAME RVS Polished 2032x576	Inox	2022	576	500	10	73	48	23,0	8,0	1222	1.757
300601	FRAME RVS Polished PLUS 1822x464	Inox	1822	464	388	10	73	48	35,7	11,2	1455	1.938
300602	FRAME RVS Polished PLUS 1832x576	Inox	1822	576	500	10	73	48	45,1	13,7	1819	2.207
300603	FRAME RVS Polished PLUS 2032x464	Inox	2022	464	388	10	73	48	39,5	12,3	1568	2.095
300604	FRAME RVS Polished PLUS 2022x576	Inox	2022	576	500	10	73	48	49,9	15,0	1960	2.429
300701	FRAME Decor 1832x464	Inox	1822	464	388	10	81	48	16,8	5,8	880	1.982
300702	FRAME Decor 1832x576	Inox	1822	576	500	10	81	48	20,8	7,2	1100	2.196
300703	FRAME Decor 2032x464	Inox	2022	464	388	10	81	48	18,4	6,4	978	2.099
300704	FRAME Decor 2032x576	Inox	2022	576	500	10	81	48	23,0	8,0	1222	2.329
300801	FRAME Decor PLUS 11832x464	Inox	1822	464	388	10	81	48	35,7	11,2	1455	1.982
300802	FRAME Decor PLUS 1832x576	Inox	1822	576	500	10	81	48	45,1	13,7	1819	2.196
300803	FRAME Decor PLUS 2032x464	Inox	2022	464	388	10	81	48	39,5	12,3	1568	2.099
300804	FRAME Decor PLUS 2032x576	Inox	2022	576	500	10	81	48	49,9	15,0	1960	2.329
399014	Frame RVS 1 st. handdoekbeugel Polished L 464 (L=516)	INOX	-	516							-	225
399012	Frame RVS 3 st. handdoekbeugel Polished L 464 (L=516)	INOX	-	516							-	548
399015	Frame RVS 1 st. handdoekbeugel Polished L 576 (L=628)	INOX	-	628							-	225
399013	Frame RVS 3 st. handdoekbeugel Polished L 576 (L=628)	INOX	-	628							-	548



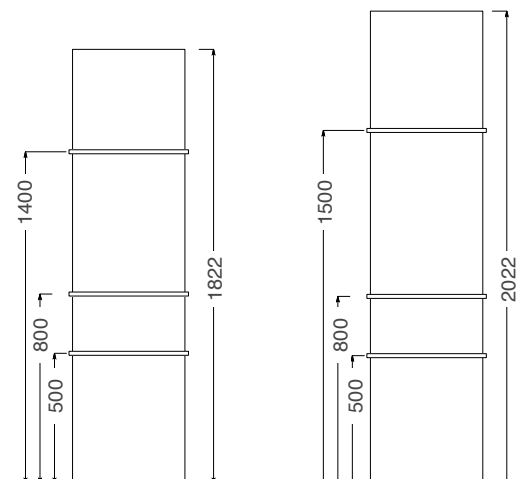
AANSLUITINGEN V (Prijstoeslag € 62,-)



Bij bestelling dient u altijd de gewenste standaard aansluiting op te geven: (V9 -V10 en V11).



Positionering van de handdoekbeugels (Apart bestellen zie prijsstabel hierboven set van 1 of 3 stuks)



DRL CORDIVARI STEFANIA RVS POLISHED/SATIN

INOX



STEFANIA RVS Satin



STEFANIA RVS Polished

De Cordivari Stefania RVS radiator uit de serie Inox, is samengesteld uit verticale collectoren waarop horizontale vlakke verwarmingselementen zijn gelast.

Stefania is volledig uitgevoerd in RVS Polished of RVS Satin en verkrijgbaar in verticale uitvoering. De radiator kan worden verfraaid met diverse accessoires, zoals een breed assortiment van Design kranen en handdoekbeugels.

Verrassend en elegant. De Stefania RVS radiator stel de meest veeleisende klant tevreden. Ideaal voor de badkamer maar ook andere leefruimtes. Stefania is samengesteld uit volledig vlakke lineaire profielen.

10 JAAR
GARANTIE

- **Materiaal:** Verticale RVS collectoren met een diameter van Ø 30 mm. Horizontale RVS verwarmingselementen 30 x 10 mm.
- **Hoogte:** 735, 1120, 1435, 1855 en 2030 mm.
- **Lengte:** 400, 500 en 600 mm.
- **Dieptes:** Diepte radiator: 40 mm (D1).
Afstand vanaf de muur tot voorkant radiator: 89-102 mm(D2).
Afstand vanaf de muur tot het hart van de aansluiting: 64-77 mm(D3).
- **Aansluitingen:** (2x 1/2") A/R + (1x1/2") ontluchter.
- **P. Max:** 8 bar.
- **Werking:** Centrale verwarming.
- **T. Max:** 110°C.
- **Montageset:** Wandbeugel, ontluchter, zeskant sleutel, pluggen en schroeven voor montage in volle steen of holle wand en gebruikershandleiding.
- **Verpakking:** Beschermd d.m.v. recyclebaar karton, voorzien van polyethyleen folie.

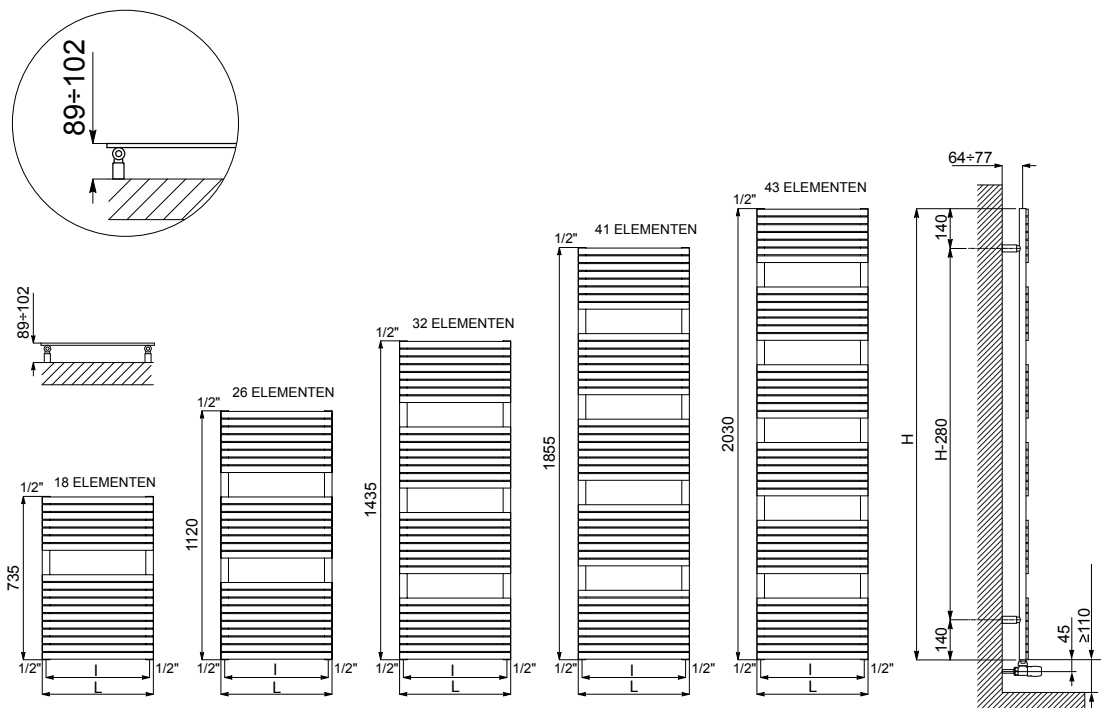
- **Kleur:** RVS Polished of Satin.
- **Garantie:** 10 jaar fabrieksgarantie.
- **SnelSelect:** Door middel van ons SnelSelect-programma kunt u ook via het internet snel, eenvoudig en foutloos selecteren. U kunt het SnelSelect-programma gebruiken via www.snelselect.nl.
- **Kranensets:** DRL DESIGN KRANEN, zie *INDEX pag. 6-7*.



DRL CORDIVARI STEFANIA RVS POLISHED/SATIN

INOX

DRL ART.NR.	OMSCHRIJVING	SERIE	AANTAL ELEM.	HOOGTE H (mm)	LENGTE L (mm)	H.O.H I (mm)	DIEPTE D1(mm)	DIEPTE D2 ()	DIEPTE D3 (mm)	GEWICHT (kg)	INHOUD (l)	VERMOGEN Watt/75/65/20	PRJΣ € RVS
370501	STEFANIA RVS Polished 735x400	Inox	18	735	400	370	40	89-102	64-77	8,0	2,2	218	1.225
370502	STEFANIA RVS Polished 735x500	Inox	18	735	500	470	40	89-102	64-77	9,5	2,5	262	1.284
370503	STEFANIA RVS Polished 1120x400	Inox	26	1120	400	370	40	89-102	64-77	11,6	3,2	300	1.743
370504	STEFANIA RVS Polished 1120x500	Inox	26	1120	500	470	40	89-102	64-77	13,8	3,7	365	1.783
370505	STEFANIA RVS Polished 1120x600	Inox	26	1120	600	570	40	89-102	64-77	16,0	3,3	431	1.889
370506	STEFANIA RVS Polished 1435x400	Inox	32	1435	400	370	40	89-102	64-77	14,4	4,0	368	2.000
370507	STEFANIA RVS Polished 1435x500	Inox	32	1435	500	470	40	89-102	64-77	17,1	4,6	450	2.107
370508	STEFANIA RVS Polished 1435x600	Inox	32	1435	600	570	40	89-102	64-77	19,8	4,6	531	2.292
370509	STEFANIA RVS Polished 1855x400	Inox	41	1855	400	370	40	89-102	64-77	18,4	5,2	484	2.565
370510	STEFANIA RVS Polished 1855x500	Inox	41	1855	500	470	40	89-102	64-77	21,9	6,0	591	2.697
370511	STEFANIA RVS Polished 1855x600	Inox	41	1855	600	570	40	89-102	64-77	25,4	5,7	697	2.910
370512	STEFANIA RVS Polished 2030x500	Inox	43	2030	500	470	40	89-102	64-77	23,2	6,4	625	3.164
370513	STEFANIA RVS Polished 2030x600	Inox	43	2030	600	570	40	89-102	64-77	26,8	6,9	737	3.495
370514	STEFANIA RVS Polished 2030x800	Inox	43	2030	800	770	40	89-102	64-77	34,2	8,8	962	4.014
370521	STEFANIA RVS Satin 735x400	Inox	18	735	400	370	40	89-102	64-77	8,0	2,2	228	820
370522	STEFANIA RVS Satin 735x500	Inox	18	735	500	470	40	89-102	64-77	9,5	2,5	283	863
370523	STEFANIA RVS Satin 1120x400	Inox	26	1120	400	370	40	89-102	64-77	11,6	3,2	325	1.076
370524	STEFANIA RVS Satin 1120x500	Inox	26	1120	500	470	40	89-102	64-77	13,8	3,7	399	1.187
370525	STEFANIA RVS Satin 1120x600	Inox	26	1120	600	570	40	89-102	64-77	16,0	3,3	474	1.405
370526	STEFANIA RVS Satin 1435x400	Inox	32	1435	400	370	40	89-102	64-77	14,4	4,0	402	1.285
370527	STEFANIA RVS Satin 1435x500	Inox	32	1435	500	470	40	89-102	64-77	17,1	4,6	491	1.432
370528	STEFANIA RVS Satin 1435x600	Inox	32	1435	600	570	40	89-102	64-77	19,8	4,6	579	1.586
370529	STEFANIA RVS Satin 1855x400	Inox	41	1855	400	370	40	89-102	64-77	18,4	5,2	529	1.614
370530	STEFANIA RVS Satin 1855x500	Inox	41	1855	500	470	40	89-102	64-77	21,9	6,0	636	1.817
370531	STEFANIA RVS Satin 1855x600	Inox	41	1855	600	570	40	89-102	64-77	25,4	5,7	744	2.010
370532	STEFANIA RVS Satin 2030x500	Inox	43	2030	500	470	40	89-102	64-77	23,2	6,4	670	2.010
370533	STEFANIA RVS Satin 2030x600	Inox	43	2030	600	570	40	89-102	64-77	26,8	6,9	782	2.219
370534	STEFANIA RVS Satin 2030x800	Inox	43	2030	800	770	40	89-102	64-77	34,2	8,8	1005	2.621



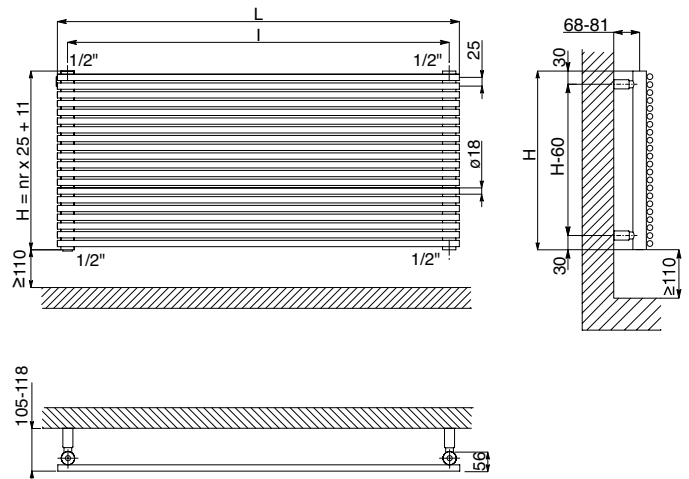
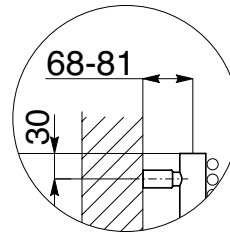
DRL CORDIVARI GIADA RVS POLISHED HORIZONTAL

INOX

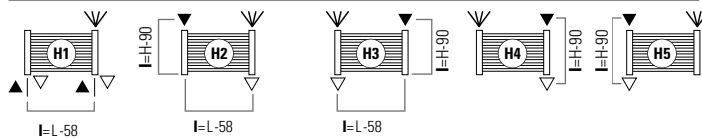


De Cordivari Giada RVS Polished Horizontal radiator uit de serie Inox, is samengesteld uit verticale ronde collectoren, waar horizontale ronde RVS Polished verwarmingselementen op zijn gelast. Giada RVS is volledig uitgevoerd in RVS Polished of RVS Satin en verkrijgbaar in horizontale en verticale uitvoering. De radiator kan worden verfraaid met diverse accessoires, zoals een breed assortiment van Design kranen en handdoekbeugels.

10 JAAR
GARANTIE



STANDAARDAANSLUITINGEN H



LEGENDA

▶ Aanvoer ◀ Retour ◀ Ontluchter H Hoogte I Op het hart L Lengte □ Aansluiting | Blindstop

SPECIALE AANSLUITINGEN (Prijstoetslag € 62,-)



- **Materiaal:** Verticale collectoren in RVS Polished met een diameter van Ø 38 mm. Horizontale ronde verwarmingselementen in RVS polished Ø 18 mm.
- **Hoogte:** Diverse hoogtematen tussen 311 en 886 mm.
- **Lengte:** Diverse lengtematen tussen 500 en 2000 mm.
- **Dieptes:** Diepte radiator: 56 mm. Afstand vanaf de muur tot voorkant radiator: 105-118 mm. Afstand vanaf de muur tot het hart van de aansluiting: 68-81 mm.
- **Aansluitingen:** (2x 1/2") A/R + (1x1/2") ontluchter.
- **P. Max:** 8 bar.
- **Werking:** Centrale verwarming.
- **T. Max:** 110°C.
- **Montageset:** Wandbeugel, ontluchter, zeskant sleutel, pluggen en schroeven voor montage in volle steen of holle wand en gebruikershandleiding.
- **Verpakking:** Beschermd d.m.v. recyclebaar karton, voorzien van polyethyleen folie.

- **Kleur:** RVS Polished.
- **Garantie:** 10 jaar fabrieksgarantie.
- **SnelSelect:** Door middel van ons SnelSelect-programma kunt u ook via het internet snel, eenvoudig en foutloos selecteren. U kunt het SnelSelect-programma gebruiken via www.snelselect.nl.
- **Kranensets:** DRL DESIGN KRANEN, zie INDEX pag. 6-7.



DRL CORDIVARI GIADA RVS POLISHED HORIZONTAL

INOX

LENGTE L (mm)		500	600	800	1000	1200	1400	1500	1600	1700	1800	1900	2000
GEWICHT per el. (kg)		0,327	0,377	0,477	0,576	0,676	0,775	0,826	0,875	0,924	0,974	1,024	1,074
INHOUD per el. (l)		0,167	0,186	0,225	0,263	0,301	0,339	0,357	0,377	0,397	0,416	0,435	0,454
H.O.H. l (mm) (uitsluitend H1)		442	542	742	942	1142	1342	1442	1542	1642	1742	1842	1942
LEDEN		Warmteafgifte bij: Watt 75/65/20°C											
AANTAL	HOOGTE H	500	600	800	1000	1200	1400	1500	1600	1700	1800	1900	2000
12	311	€ 695 167	€ 780 200	€ 864 267	€ 901 334	€ 925 400	€ 948 467	€ 961 500	€ 976 534	€ 1.001 567	€ 1.017 600	€ 1.044 634	€ 1.055 667
13	336	€ 734 181	€ 826 217	€ 916 290	€ 956 362	€ 985 435	€ 1.010 507	€ 1.025 543	€ 1.041 580	€ 1.071 616	€ 1.086 652	€ 1.117 688	€ 1.130 725
14	361	€ 772 196	€ 872 235	€ 970 313	€ 1.014 391	€ 1.045 469	€ 1.075 547	€ 1.092 587	€ 1.107 626	€ 1.140 665	€ 1.159 704	€ 1.191 743	€ 1.206 782
15	386	€ 810 210	€ 917 252	€ 1.022 336	€ 1.071 420	€ 1.104 504	€ 1.138 588	€ 1.155 630	€ 1.173 672	€ 1.208 713	€ 1.229 755	€ 1.264 797	€ 1.280 839
16	411	€ 849 224	€ 964 269	€ 1.075 359	€ 1.127 448	€ 1.164 538	€ 1.200 628	€ 1.221 672	€ 1.240 717	€ 1.277 762	€ 1.299 807	€ 1.338 852	€ 1.356 897
17	436	€ 887 238	€ 1.010 286	€ 1.125 382	€ 1.184 477	€ 1.224 572	€ 1.263 668	€ 1.285 715	€ 1.307 763	€ 1.347 811	€ 1.370 858	€ 1.413 906	€ 1.432 954
18	461	€ 926 253	€ 1.056 303	€ 1.178 404	€ 1.241 505	€ 1.285 606	€ 1.325 707	€ 1.348 758	€ 1.371 808	€ 1.416 859	€ 1.440 910	€ 1.485 960	€ 1.507 1011
19	486	€ 964 267	€ 1.102 320	€ 1.230 427	€ 1.298 534	€ 1.344 640	€ 1.390 747	€ 1.414 800	€ 1.438 854	€ 1.485 907	€ 1.512 960	€ 1.560 1014	€ 1.583 1067
20	511	€ 1.002 281	€ 1.148 337	€ 1.284 449	€ 1.355 562	€ 1.405 674	€ 1.452 787	€ 1.478 843	€ 1.505 899	€ 1.554 955	€ 1.583 1011	€ 1.632 1067	€ 1.658 1124
21	536	€ 1.041 295	€ 1.194 354	€ 1.336 472	€ 1.413 590	€ 1.463 708	€ 1.514 826	€ 1.543 885	€ 1.569 944	€ 1.624 1003	€ 1.653 1062	€ 1.706 1121	€ 1.732 1180
22	561	€ 1.079 309	€ 1.241 371	€ 1.386 494	€ 1.468 618	€ 1.524 741	€ 1.577 865	€ 1.607 927	€ 1.636 988	€ 1.693 1050	€ 1.723 1112	€ 1.781 1174	€ 1.807 1235
23	586	€ 1.118 323	€ 1.287 387	€ 1.439 516	€ 1.525 645	€ 1.584 774	€ 1.639 904	€ 1.671 968	€ 1.701 1033	€ 1.761 1097	€ 1.793 1162	€ 1.853 1226	€ 1.883 1291
24	611	€ 1.156 337	€ 1.333 404	€ 1.491 538	€ 1.583 673	€ 1.643 808	€ 1.704 942	€ 1.736 1010	€ 1.768 1077	€ 1.830 1144	€ 1.866 1211	€ 1.928 1279	€ 1.959 1346
25	636	€ 1.194 350	€ 1.379 420	€ 1.544 560	€ 1.638 700	€ 1.704 840	€ 1.767 981	€ 1.800 1051	€ 1.834 1121	€ 1.899 1191	€ 1.936 1261	€ 2.000 1331	€ 2.035 1401
26	661	€ 1.232 364	€ 1.424 437	€ 1.597 582	€ 1.697 728	€ 1.762 873	€ 1.829 1019	€ 1.866 1091	€ 1.899 1164	€ 1.969 1237	€ 2.005 1310	€ 2.075 1382	€ 2.108 1455
27	686	€ 1.271 377	€ 1.470 453	€ 1.648 604	€ 1.753 755	€ 1.823 906	€ 1.892 1056	€ 1.929 1132	€ 1.967 1207	€ 2.038 1283	€ 2.076 1358	€ 2.149 1434	€ 2.184 1509
28	711	€ 1.310 391	€ 1.517 469	€ 1.700 625	€ 1.808 782	€ 1.883 938	€ 1.954 1094	€ 1.993 1172	€ 2.033 1250	€ 2.107 1329	€ 2.146 1407	€ 2.222 1485	€ 2.259 1563
29	736	€ 1.348 404	€ 1.563 485	€ 1.753 646	€ 1.867 808	€ 1.944 970	€ 2.019 1131	€ 2.059 1212	€ 2.098 1293	€ 2.176 1374	€ 2.218 1455	€ 2.297 1535	€ 2.335 1616
30	761	€ 1.386 417	€ 1.609 501	€ 1.805 668	€ 1.923 835	€ 2.003 1001	€ 2.082 1168	€ 2.122 1252	€ 2.165 1335	€ 2.245 1419	€ 2.289 1502	€ 2.369 1586	€ 2.410 1669
31	786	€ 1.424 430	€ 1.655 516	€ 1.857 689	€ 1.980 861	€ 2.062 1033	€ 2.144 1205	€ 2.188 1291	€ 2.230 1377	€ 2.314 1463	€ 2.359 1549	€ 2.444 1635	€ 2.484 1721
32	811	€ 1.463 443	€ 1.701 532	€ 1.908 709	€ 2.037 887	€ 2.122 1064	€ 2.207 1242	€ 2.252 1330	€ 2.297 1419	€ 2.383 1508	€ 2.429 1596	€ 2.518 1685	€ 2.559 1774
33	836	€ 1.502 456	€ 1.747 548	€ 1.961 730	€ 2.093 913	€ 2.183 1095	€ 2.269 1278	€ 2.315 1369	€ 2.361 1460	€ 2.452 1551	€ 2.501 1643	€ 2.591 1734	€ 2.636 1825
34	861	€ 1.540 469	€ 1.793 563	€ 2.014 750	€ 2.150 938	€ 2.243 1126	€ 2.334 1313	€ 2.381 1407	€ 2.428 1501	€ 2.522 1595	€ 2.572 1689	€ 2.665 1782	€ 2.712 1876
35	886	€ 1.578 482	€ 1.840 578	€ 2.066 771	€ 2.207 964	€ 2.303 1156	€ 2.397 1349	€ 2.445 1445	€ 2.495 1542	€ 2.591 1638	€ 2.642 1734	€ 2.739 1831	€ 2.787 1927

DRL CORDIVARI GIADA RVS SATIN HORIZONTAL

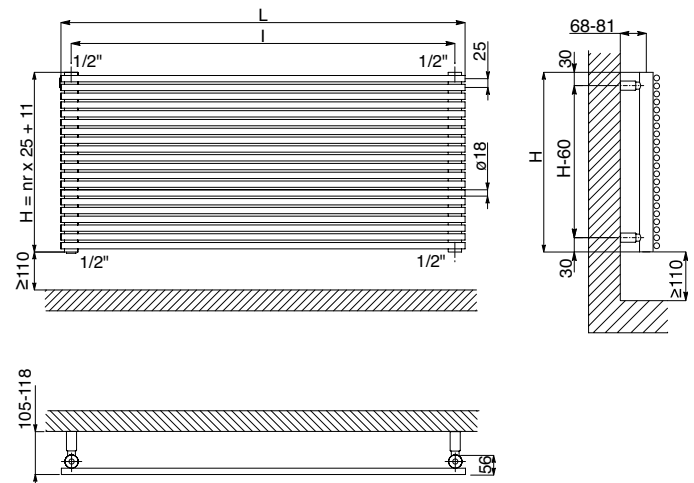
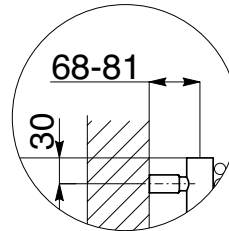
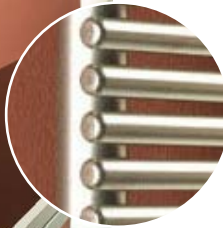
INOX



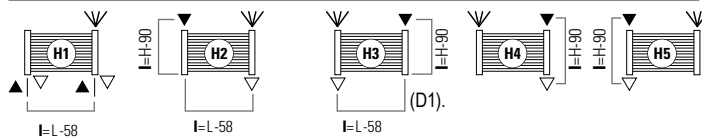
De Cordivari Giada RVS Satin Horizontal radiator uit de serie Inox, is samengesteld uit verticale ronde collectoren, waar horizontale ronde RVS Satin verwarmingselementen op zijn gelast.

Giada RVS is volledig uitgevoerd in RVS Polished of RVS Satin en verkrijgbaar in horizontale en verticale uitvoering. De radiator kan worden verfraaid met diverse accessoires, zoals een breed assortiment van Design kranen en handdoekbeugels.

10 JAAR
GARANTIE



STANDAARDAANSLUITINGEN H



SPECIALE AANSLUITINGEN (Prijstoetslag € 62,-)



LEGENDA

▶ Aanvoer ◀ Retour ◀ Ontluchter H Hoogte I Op het hart L Lengte □ Aansluiting | Blindstop

- **Materiaal:** Verticale collectoren in RVS satin met een diameter van Ø 38 mm. Horizontale ronde verwarmingselementen in RVS polished Ø 18 mm.
- **Hoogte:** Diverse hoogtematen tussen 311 en 886 mm.
- **Lengte:** Diverse lengtematen tussen 500 en 2000 mm.
- **Dieptes:** Diepte radiator: 56 mm. Afstand vanaf de muur tot voorkant radiator: 115-118 mm. Afstand vanaf de muur tot het hart van de aansluiting: 68-81 mm.
- **Aansluitingen:** (2x 1/2") A/R + (1x1/2") ontluchter.
 - P. Max: 8 bar.
 - Werking: Centrale verwarming.
 - T. Max: 110°C.
- **Montageset:** Wandbeugel, ontluchter, zeskant sleutel, pluggen en schroeven voor montage in volle steen of holle wand en gebruikershandleiding.
- **Verpakking:** Beschermd d.m.v. recyclebaar karton, voorzien van polyethyleen folie.

- **Kleur:** RVS Satin.
- **Garantie:** 10 jaar fabrieksgarantie.
- **SnelSelect:** Door middel van ons SnelSelect-programma kunt u ook via het internet snel, eenvoudig en foutloos selecteren. U kunt het SnelSelect-programma gebruiken via www.snelselect.nl.
- **Kranensets:** DRL DESIGN KRANEN, zie INDEX pag. 6-7.



DRL CORDIVARI GIADA RVS SATIN HORIZONTAL

INOX

LENGTE L (mm)	500	600	800	1000	1200	1400	1500	1600	1700	1800	1900	2000	
GEWICHT per el.(Kg)	0,327	0,377	0,477	0,576	0,676	0,775	0,826	0,875	0,924	0,974	1,024	1,074	
INHOUD per el. (l)	0,167	0,186	0,225	0,263	0,301	0,339	0,357	0,377	0,397	0,416	0,435	0,454	
H.O.H. l (mm) (uitsluitend H1)	442	542	742	942	1142	1342	1442	1542	1642	1742	1842	1942	
LEDEN Warmteafgifte bij: Watt 75/65/20°C													
AANTAL	HOOGTE H	500	600	800	1000	1200	1400	1500	1600	1700	1800	1900	2000
12	311	€ 764 173	€ 794 208	€ 814 277	€ 840 346	€ 906 416	€ 956 485	€ 991 519	€ 1.017 554	€ 1.055 589	€ 1.071 623	€ 1.099 658	€ 1.136 693
13	336	€ 815 188	€ 845 225	€ 864 301	€ 894 376	€ 964 451	€ 1.022 526	€ 1.058 564	€ 1.085 601	€ 1.127 639	€ 1.145 676	€ 1.173 714	€ 1.214 752
14	361	€ 864 203	€ 896 243	€ 916 324	€ 952 405	€ 1.024 486	€ 1.085 567	€ 1.125 608	€ 1.155 648	€ 1.200 689	€ 1.217 730	€ 1.248 770	€ 1.292 811
15	386	€ 914 217	€ 948 261	€ 970 348	€ 1.007 435	€ 1.084 522	€ 1.150 609	€ 1.193 652	€ 1.224 696	€ 1.271 739	€ 1.292 783	€ 1.323 826	€ 1.370 870
16	411	€ 964 232	€ 999 279	€ 1.022 371	€ 1.061 464	€ 1.145 557	€ 1.215 650	€ 1.262 696	€ 1.293 743	€ 1.344 789	€ 1.366 836	€ 1.399 882	€ 1.447 928
17	436	€ 1.014 247	€ 1.052 296	€ 1.075 395	€ 1.117 494	€ 1.205 592	€ 1.278 691	€ 1.329 740	€ 1.362 790	€ 1.416 839	€ 1.439 888	€ 1.476 938	€ 1.528 987
18	461	€ 1.063 261	€ 1.102 314	€ 1.125 418	€ 1.171 523	€ 1.264 627	€ 1.344 732	€ 1.397 784	€ 1.432 837	€ 1.489 889	€ 1.513 941	€ 1.551 994	€ 1.606 1046
19	486	€ 1.115 276	€ 1.153 331	€ 1.178 442	€ 1.228 562	€ 1.323 663	€ 1.408 773	€ 1.463 828	€ 1.501 883	€ 1.561 939	€ 1.586 994	€ 1.625 1049	€ 1.683 1104
20	511	€ 1.164 291	€ 1.205 349	€ 1.230 465	€ 1.284 581	€ 1.384 697	€ 1.472 814	€ 1.531 872	€ 1.569 930	€ 1.632 998	€ 1.660 1046	€ 1.700 1104	€ 1.761 1162
21	536	€ 1.214 305	€ 1.255 366	€ 1.284 488	€ 1.338 610	€ 1.444 732	€ 1.537 854	€ 1.599 915	€ 1.638 976	€ 1.705 1038	€ 1.735 1099	€ 1.776 1159	€ 1.840 1221
22	561	€ 1.264 320	€ 1.309 384	€ 1.336 511	€ 1.393 639	€ 1.505 767	€ 1.601 895	€ 1.667 958	€ 1.707 1023	€ 1.777 1087	€ 1.807 1151	€ 1.851 1214	€ 1.919 1278
23	586	€ 1.314 334	€ 1.360 401	€ 1.386 534	€ 1.447 668	€ 1.563 802	€ 1.667 935	€ 1.735 1002	€ 1.777 1068	€ 1.850 1136	€ 1.882 1203	€ 1.927 1269	€ 1.997 1336
24	611	€ 1.363 348	€ 1.412 418	€ 1.439 557	€ 1.505 697	€ 1.624 836	€ 1.731 976	€ 1.801 1045	€ 1.846 1115	€ 1.921 1185	€ 1.954 1254	€ 2.000 1324	€ 2.075 1394
25	636	€ 1.414 363	€ 1.462 435	€ 1.491 580	€ 1.560 725	€ 1.683 870	€ 1.797 1016	€ 1.869 1098	€ 1.915 1161	€ 1.993 1233	€ 2.029 1306	€ 2.076 1378	€ 2.153 1451
26	661	€ 1.463 377	€ 1.513 452	€ 1.544 603	€ 1.614 754	€ 1.744 905	€ 1.860 1055	€ 1.937 1131	€ 1.984 1206	€ 2.066 1282	€ 2.104 1357	€ 2.152 1432	€ 2.231 1508
27	686	€ 1.513 391	€ 1.566 469	€ 1.597 626	€ 1.670 782	€ 1.804 939	€ 1.924 1095	€ 2.004 1173	€ 2.053 1252	€ 2.138 1330	€ 2.176 1408	€ 2.228 1496	€ 2.311 1565
28	711	€ 1.563 405	€ 1.616 486	€ 1.648 648	€ 1.724 811	€ 1.863 973	€ 1.990 1135	€ 2.073 1216	€ 2.122 1297	€ 2.211 1378	€ 2.251 1459	€ 2.303 1540	€ 2.388 1621
29	736	€ 1.613 419	€ 1.669 503	€ 1.700 671	€ 1.781 839	€ 1.923 1006	€ 2.053 1174	€ 2.139 1258	€ 2.191 1342	€ 2.282 1426	€ 2.323 1509	€ 2.378 1593	€ 2.467 1677
30	761	€ 1.662 433	€ 1.720 520	€ 1.753 693	€ 1.835 867	€ 1.983 1040	€ 2.119 1213	€ 2.207 1300	€ 2.260 1386	€ 2.355 1473	€ 2.398 1560	€ 2.452 1646	€ 2.545 1733
31	786	€ 1.713 447	€ 1.770 537	€ 1.805 715	€ 1.891 894	€ 2.043 1073	€ 2.183 1252	€ 2.275 1341	€ 2.330 1431	€ 2.427 1520	€ 2.472 1610	€ 2.528 1699	€ 2.622 1789
32	811	€ 1.762 461	€ 1.823 553	€ 1.857 738	€ 1.946 922	€ 2.104 1106	€ 2.246 1291	€ 2.342 1383	€ 2.399 1475	€ 2.499 1567	€ 2.545 1660	€ 2.603 1752	€ 2.702 1844
33	836	€ 1.812 475	€ 1.874 570	€ 1.908 750	€ 2.000 950	€ 2.162 1139	€ 2.312 1329	€ 2.410 1424	€ 2.468 1519	€ 2.572 1614	€ 2.619 1709	€ 2.679 1804	€ 2.781 1899
34	861	€ 1.863 488	€ 1.926 586	€ 1.961 781	€ 2.058 977	€ 2.222 1172	€ 2.376 1368	€ 2.478 1465	€ 2.536 1563	€ 2.643 1661	€ 2.693 1758	€ 2.752 1856	€ 2.858 1954
35	886	€ 1.913 502	€ 1.976 602	€ 2.014 803	€ 2.112 1004	€ 2.282 1205	€ 2.442 1406	€ 2.545 1506	€ 2.606 1606	€ 2.716 1707	€ 2.766 1807	€ 2.829 1908	€ 2.936 2008

DRL CORDIVARI GIADA RVS POLISHED VERTICAL

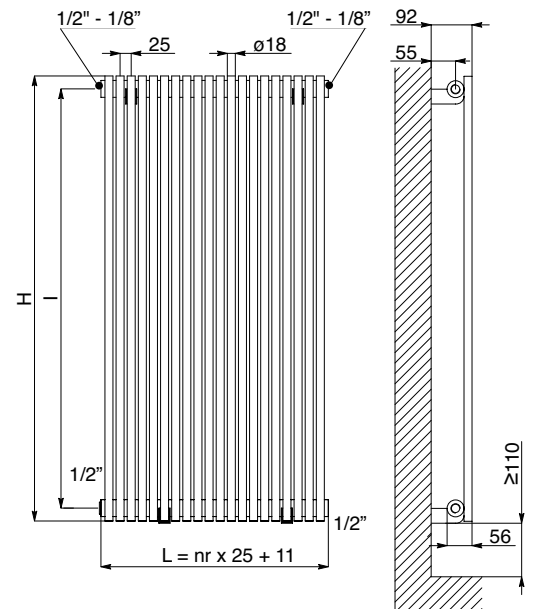
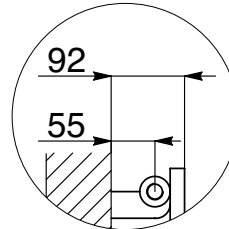
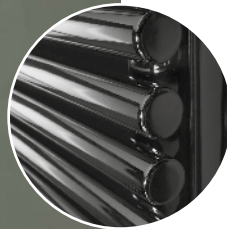
INOX



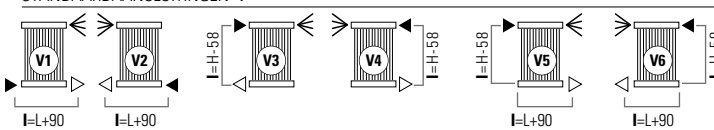
De Cordivari Giada RVS Polished Vertical radiator uit de serie Inox, is samengesteld uit horizontale ronde collectoren, waar verticale ronde RVS Polished verwarmingselementen op zijn gelast.

Giada RVS is volledig uitgevoerd in RVS Polished of RVS Satin en verkrijgbaar in horizontale en verticale uitvoering. De radiator kan worden verfraaid met diverse accessoires, zoals een breed assortiment van Design kranen.

10 JAAR
GARANTIE



STANDAARDAANSLUITINGEN V

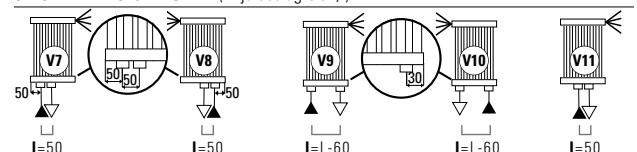


Bij bestelling dient u altijd de gewenste standaard aansluiting op te geven: (van V1 tot V6).

LEGENDA

► Aanvoer ◄ Retour ◀ Ontluchter H Hoogte I Op het hart L Lengte □ Aansluiting | Blindstop

SPECIALE AANSLUITINGEN V (Prijstoeslag € 62,-)



Bij bestelling dient u altijd de gewenste aansluiting op te geven: (van V7,V8,V9,V10,V11).

- **Materiaal:** Horizontale collectoren in RVS Polished met een diameter van Ø 38 mm. Verticale ronde verwarmingselementen in RVS Polished Ø 18 mm.
- **Hoogte:** Diverse hoogtematen tussen 600 en 2300 mm.
- **Lengte:** Diverse lengtematen tussen 136 en 886 mm.
- **Dieptes:** Diepte radiator: 56 mm. Afstand vanaf de muur tot voorkant radiator: 92 mm. Afstand vanaf de muur tot het hart van de aansluiting: 55 mm.
- **Aansluitingen:** (2x 1/2") A/R + (1x1/8") ontluchter.
- **P. Max:** 8 bar.
- **Werking:** Centrale verwarming.
- **T. Max:** 110°C
- **Montageset:** Wandbeugel, ontluchter, zeskant sleutel, pluggen en schroeven voor montage in volle steen of holle wand en gebruikershandleiding.
- **Verpakking:** Beschermd d.m.v. recyclebaar karton, voorzien van polyethyleen folie.

- **Kleur:** RVS Polished.
- **Garantie:** 10 jaar fabrieksgarantie.
- **SnelSelect:** Door middel van ons SnelSelect-programma kunt u ook via het internet snel, eenvoudig en foutloos selecteren. U kunt het SnelSelect-programma gebruiken via www.snelselect.nl.
- **Kranensets:** DRL DESIGN KRANEN, zie INDEX pag. 6-7.



Compactaansluiting



DRL CORDIVARI GIADA RVS POLISHED VERTICAL

INOX

HOOGTE H (mm)	600	800	1000	1200	1400	1600	1800	1900	2000	2200	2300	
GEWICHT per el.(kg)	0,377	0,477	0,576	0,676	0,775	0,875	0,974	1,024	1,074	1,173	1,223	
INHOUD per el. (l)	0,186	0,225	0,263	0,301	0,339	0,377	0,416	0,435	0,454	0,492	0,511	
H.O.H. l (mm) (uitsluitend V3-V4)	542	742	942	1142	1342	1542	1742	1842	1942	2142	2242	
LEDEN Warmteafgifte bij: Watt 75/65/20°C												
AANTAL	LENGTE L	600	800	1000	1200	1400	1600	1800	1900	2000	2200	2300
5	136	€ 457	€ 500	€ 502	€ 505	€ 506	€ 513	€ 523	€ 526	€ 528	€ 532	€ 534
		80	107	133	158	183	207	230	242	252	271	283
6	161	€ 503	€ 551	€ 561	€ 565	€ 570	€ 579	€ 593	€ 601	€ 603	€ 611	€ 615
		96	128	160	190	220	248	275	290	302	325	340
7	186	€ 549	€ 603	€ 616	€ 625	€ 633	€ 646	€ 664	€ 674	€ 679	€ 690	€ 694
		112	149	186	221	256	289	321	339	352	379	396
8	211	€ 595	€ 656	€ 672	€ 686	€ 695	€ 711	€ 734	€ 747	€ 755	€ 768	€ 776
		128	170	213	253	293	330	367	387	402	434	453
9	236	€ 641	€ 709	€ 731	€ 745	€ 759	€ 778	€ 805	€ 822	€ 830	€ 846	€ 854
		144	192	239	284	329	372	413	436	453	488	509
10	261	€ 688	€ 761	€ 786	€ 805	€ 822	€ 843	€ 876	€ 894	€ 906	€ 925	€ 933
		160	213	266	316	366	413	459	484	503	542	566
11	286	€ 734	€ 814	€ 843	€ 864	€ 885	€ 909	€ 947	€ 970	€ 979	€ 1.002	€ 1.014
		176	234	293	348	403	454	505	532	553	596	623
12	311	€ 780	€ 864	€ 901	€ 925	€ 948	€ 976	€ 1.017	€ 1.044	€ 1.055	€ 1.081	€ 1.094
		192	256	319	379	439	496	551	581	604	650	679
13	336	€ 826	€ 916	€ 956	€ 985	€ 1.010	€ 1.041	€ 1.086	€ 1.117	€ 1.130	€ 1.160	€ 1.173
		208	277	346	411	476	537	597	629	654	705	736
14	361	€ 872	€ 970	€ 1.014	€ 1.045	€ 1.075	€ 1.107	€ 1.159	€ 1.191	€ 1.206	€ 1.238	€ 1.253
		224	298	372	442	512	578	643	678	704	759	792
15	386	€ 917	€ 1.022	€ 1.071	€ 1.104	€ 1.138	€ 1.173	€ 1.229	€ 1.264	€ 1.280	€ 1.316	€ 1.333
		240	320	399	474	549	620	689	726	755	813	849
16	411	€ 964	€ 1.075	€ 1.127	€ 1.164	€ 1.200	€ 1.240	€ 1.299	€ 1.338	€ 1.356	€ 1.394	€ 1.414
		256	341	426	506	586	661	734	774	805	867	906
17	436	€ 1.010	€ 1.125	€ 1.184	€ 1.224	€ 1.263	€ 1.307	€ 1.370	€ 1.413	€ 1.432	€ 1.472	€ 1.492
		272	362	452	537	622	702	780	823	855	921	962
18	461	€ 1.056	€ 1.178	€ 1.241	€ 1.285	€ 1.325	€ 1.371	€ 1.440	€ 1.485	€ 1.507	€ 1.552	€ 1.574
		288	383	479	569	659	743	826	871	905	976	1019
19	486	€ 1.102	€ 1.230	€ 1.298	€ 1.344	€ 1.390	€ 1.438	€ 1.512	€ 1.560	€ 1.583	€ 1.630	€ 1.653
		304	405	505	600	695	785	872	920	956	1030	1075
20	511	€ 1.148	€ 1.284	€ 1.355	€ 1.405	€ 1.452	€ 1.505	€ 1.583	€ 1.632	€ 1.658	€ 1.707	€ 1.732
		320	426	532	632	732	826	918	968	1006	1084	1132
21	536	€ 1.194	€ 1.336	€ 1.413	€ 1.463	€ 1.514	€ 1.569	€ 1.653	€ 1.706	€ 1.732	€ 1.785	€ 1.812
		336	447	559	664	769	867	964	1016	1056	1138	1189
22	561	€ 1.241	€ 1.386	€ 1.468	€ 1.524	€ 1.577	€ 1.636	€ 1.723	€ 1.781	€ 1.807	€ 1.866	€ 1.892
		352	469	585	695	805	909	1010	1065	1107	1192	1245
23	586	€ 1.287	€ 1.439	€ 1.525	€ 1.584	€ 1.639	€ 1.701	€ 1.793	€ 1.853	€ 1.883	€ 1.944	€ 1.973
		368	490	612	727	842	950	1056	1113	1157	1247	1302
24	611	€ 1.333	€ 1.491	€ 1.583	€ 1.643	€ 1.704	€ 1.768	€ 1.866	€ 1.928	€ 1.959	€ 2.021	€ 2.052
		384	511	638	758	878	991	1102	1162	1207	1301	1358
25	636	€ 1.379	€ 1.544	€ 1.638	€ 1.704	€ 1.767	€ 1.834	€ 1.936	€ 2.000	€ 2.035	€ 2.099	€ 2.131
		400	533	665	790	915	1033	1148	1210	1258	1355	1415
26	661	€ 1.424	€ 1.597	€ 1.697	€ 1.762	€ 1.829	€ 1.899	€ 2.005	€ 2.075	€ 2.108	€ 2.177	€ 2.212
		416	554	692	822	952	1074	1193	1258	1308	1409	1472
27	686	€ 1.470	€ 1.648	€ 1.753	€ 1.834	€ 1.892	€ 1.967	€ 2.076	€ 2.149	€ 2.184	€ 2.257	€ 2.291
		432	575	718	853	988	1115	1239	1307	1358	1463	1528
28	711	€ 1.517	€ 1.700	€ 1.808	€ 1.883	€ 1.954	€ 2.033	€ 2.146	€ 2.222	€ 2.259	€ 2.335	€ 2.373
		448	596	745	885	1025	1156	1285	1355	1408	1518	1585
29	736	€ 1.563	€ 1.753	€ 1.867	€ 1.944	€ 2.019	€ 2.098	€ 2.218	€ 2.297	€ 2.335	€ 2.413	€ 2.451
		464	618	771	916	1061	1198	1331	1404	1459	1572	1641
30	761	€ 1.609	€ 1.805	€ 1.923	€ 2.003	€ 2.082	€ 2.165	€ 2.289	€ 2.369	€ 2.410	€ 2.491	€ 2.530
		480	639	798	948	1098	1239	1377	1452	1509	1626	1698
31	786	€ 1.655	€ 1.857	€ 1.980	€ 2.062	€ 2.144	€ 2.230	€ 2.359	€ 2.444	€ 2.484	€ 2.570	€ 2.612
		496	660	825	980	1135	1280	1423	1500	1559	1680	1755
32	811	€ 1.701	€ 1.908	€ 2.037	€ 2.122	€ 2.207	€ 2.297	€ 2.429	€ 2.518	€ 2.559	€ 2.649	€ 2.691
		512	682	851	1011	1171	1322	1469	1549	1610	1734	1811
33	836	€ 1.747	€ 1.961	€ 2.093	€ 2.183	€ 2.269	€ 2.361	€ 2.501	€ 2.591	€ 2.636	€ 2.726	€ 2.771
		528	703	878	1043	1208	1363	1515	1597	1660	1789	1868
34	861	€ 1.793	€ 2.014	€ 2.150	€ 2.243	€ 2.334	€ 2.428	€ 2.572	€ 2.665	€ 2.712	€ 2.805	€ 2.850
		544	724	904	1074	1244	1404	1561	1646	1710	1843	1924
35	886	€ 1.840	€ 2.066	€ 2.207	€ 2.303	€ 2.397	€ 2.495	€ 2.642	€ 2.739	€ 2.787	€ 2.884	€ 2.931
		560	746	931	1106	1281	1446	1607	1694	1761	1897	1981



DRL CORDIVARI GIADA RVS SATIN VERTICAL

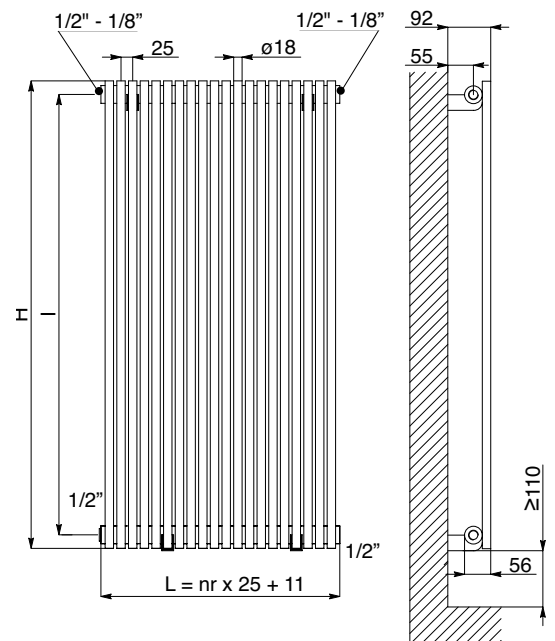
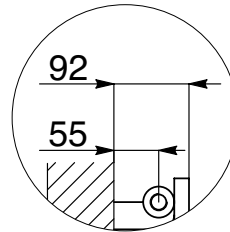
INOX



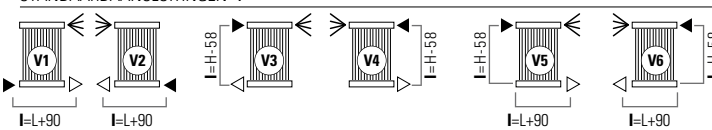
De Cordivari Giada RVS Satin Vertical radiator uit de serie Inox, is samengesteld uit horizontale ronde collectoren, waar verticale ronde RVS Polished verwarmingselementen op zijn gelast.

Giada RVS is volledig uitgevoerd in RVS Polished of RVS Satin en verkrijgbaar in horizontale en verticale uitvoering. De radiator kan worden verfraaid met diverse accessoires, zoals een breed assortiment van Design kranen.

10 JAAR
GARANTIE



STANDAARDAANSLUITINGEN V

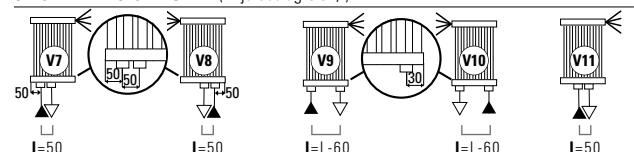


Bij bestelling dient u altijd de gewenste standaard aansluiting op te geven: (van V1 tot V6).

LEGENDA

► Aanvoer ◄ Retour ◀ Ontluchter H Hoogte I Op het hart L Lengte □ Aansluiting | Blindstop

SPECIALE AANSLUITINGEN V (Prijstoeslag € 62,-)



Bij bestelling dient u altijd de gewenste aansluiting op te geven: (van V7, V8, V9, V10, V11).

- **Materiaal:** Horizontale collectoren in RVS Satin met een diameter van Ø 38 mm. Verticale ronde verwarmingselementen in RVS Satin Ø 18 mm.
- **Hoogte:** Diverse hoogtematen tussen 600 en 2300 mm.
- **Lengte:** Diverse lengtematen tussen 136 en 886 mm.
- **Dieptes:** Diepte radiator: 56 mm. Afstand vanaf de muur tot voorkant radiator: 92 mm. Afstand vanaf de muur tot het hart van de aansluiting: 55 mm.
- **Aansluitingen:** (2x 1/2") A/R + (1x1/8") ontluchter.
- **P. Max:** 8 bar.
- **Werking:** Centrale verwarming.
- **T. Max:** 110°C.
- **Montageset:** Wandbeugel, ontluchter, zeskant sleutel, pluggen en schroeven voor montage in volle steen of holle wand en gebruikershandleiding
- **Verpakking:** Beschermd d.m.v. recyclebaar karton, voorzien van polyethyleen folie.

- **Kleur:** RVS Satin.
- **Garantie:** 10 jaar fabrieksgarantie.
- **SnelSelect:** Door middel van ons SnelSelect-programma kunt u ook via het internet snel, eenvoudig en foutloos selecteren. U kunt het SnelSelect-programma gebruiken via www.snelselect.nl.
- **Kranensets:** DRL DESIGN KRANEN, zie INDEX pag. 6-7.



Compactaansluiting



DRL CORDIVARI GIADA RVS SATIN VERTICAL

INOX

HOOGTE H (mm)	500	600	800	1000	1200	1400	1500	1600	1700	1800	1900	2000	
GEWICHT per el. (kg)	0,327	0,377	0,477	0,576	0,676	0,775	0,826	0,875	0,924	0,974	1,024	1,074	
INHOUD per el. (l)	0,167	0,186	0,225	0,263	0,301	0,339	0,357	0,377	0,397	0,416	0,435	0,454	
H.O.H. I (mm) (uitsluitend V3-V4)	442	542	742	942	1142	1342	1442	1542	1642	1742	1842	1942	
LEDEN	Warmteafgifte bij: Watt 75/65/20°C												
AANTAL	LENGTE L	500	600	800	1000	1200	1400	1500	1600	1700	1800	1900	2000
5	136	€ 416	€ 433	€ 447	€ 454	€ 486	€ 505	€ 518	€ 532	€ 549	€ 554	€ 571	€ 587
		70	82	106	129	152	175	187	198	210	221	233	244
6	161	€ 465	€ 483	€ 500	€ 508	€ 546	€ 570	€ 586	€ 602	€ 623	€ 628	€ 647	€ 665
		84	99	127	155	183	210	224	238	252	265	279	293
7	186	€ 516	€ 538	€ 551	€ 564	€ 607	€ 634	€ 653	€ 671	€ 694	€ 701	€ 722	€ 743
		98	115	148	181	213	246	262	278	294	309	326	341
8	211	€ 565	€ 588	€ 603	€ 618	€ 665	€ 699	€ 720	€ 740	€ 766	€ 777	€ 797	€ 822
		112	131	170	207	244	281	299	317	335	354	372	390
9	236	€ 615	€ 639	€ 656	€ 674	€ 724	€ 763	€ 787	€ 809	€ 839	€ 849	€ 872	€ 901
		126	148	191	233	274	316	336	357	377	398	419	439
10	261	€ 665	€ 690	€ 709	€ 731	€ 785	€ 828	€ 856	€ 879	€ 910	€ 924	€ 948	€ 978
		140	164	212	259	305	351	374	397	419	442	465	488
11	286	€ 715	€ 741	€ 761	€ 785	€ 845	€ 892	€ 924	€ 948	€ 984	€ 998	€ 1.023	€ 1.056
		154	181	233	285	335	386	411	436	461	486	512	537
12	311	€ 764	€ 794	€ 814	€ 840	€ 906	€ 956	€ 991	€ 1.017	€ 1.055	€ 1.071	€ 1.099	€ 1.136
		168	197	254	310	366	421	448	476	503	531	558	585
13	336	€ 815	€ 845	€ 864	€ 894	€ 964	€ 1.022	€ 1.058	€ 1.085	€ 1.127	€ 1.145	€ 1.173	€ 1.214
		182	214	276	336	396	456	486	515	545	575	605	634
14	361	€ 864	€ 896	€ 916	€ 952	€ 1.024	€ 1.085	€ 1.125	€ 1.155	€ 1.200	€ 1.217	€ 1.248	€ 1.292
		196	230	297	362	427	491	523	555	587	619	651	683
15	386	€ 914	€ 948	€ 970	€ 1.007	€ 1.084	€ 1.150	€ 1.193	€ 1.224	€ 1.271	€ 1.292	€ 1.323	€ 1.370
		210	246	318	388	457	526	561	595	629	663	698	732
16	411	€ 964	€ 999	€ 1.022	€ 1.061	€ 1.145	€ 1.215	€ 1.262	€ 1.293	€ 1.344	€ 1.366	€ 1.399	€ 1.447
		224	263	339	414	488	561	598	634	671	707	744	780
17	436	€ 1.014	€ 1.052	€ 1.075	€ 1.117	€ 1.205	€ 1.278	€ 1.329	€ 1.362	€ 1.416	€ 1.439	€ 1.476	€ 1.528
		238	279	360	440	518	596	635	674	713	752	791	829
18	461	€ 1.063	€ 1.102	€ 1.125	€ 1.171	€ 1.264	€ 1.344	€ 1.397	€ 1.432	€ 1.489	€ 1.513	€ 1.551	€ 1.606
		252	296	382	466	549	631	673	714	755	796	837	878
19	486	€ 1.115	€ 1.153	€ 1.178	€ 1.228	€ 1.323	€ 1.408	€ 1.463	€ 1.501	€ 1.561	€ 1.586	€ 1.625	€ 1.683
		266	312	403	492	579	667	710	753	797	840	884	927
20	511	€ 1.164	€ 1.205	€ 1.230	€ 1.284	€ 1.384	€ 1.472	€ 1.531	€ 1.569	€ 1.632	€ 1.660	€ 1.700	€ 1.761
		280	329	424	517	610	702	747	793	839	884	930	976
21	536	€ 1.214	€ 1.255	€ 1.284	€ 1.338	€ 1.444	€ 1.537	€ 1.599	€ 1.638	€ 1.705	€ 1.735	€ 1.776	€ 1.840
		294	345	445	543	640	737	785	833	881	928	977	1024
22	561	€ 1.264	€ 1.309	€ 1.336	€ 1.393	€ 1.505	€ 1.601	€ 1.667	€ 1.707	€ 1.777	€ 1.807	€ 1.851	€ 1.919
		308	361	466	569	671	772	822	872	922	973	1023	1073
23	586	€ 1.314	€ 1.360	€ 1.386	€ 1.447	€ 1.563	€ 1.667	€ 1.735	€ 1.777	€ 1.850	€ 1.882	€ 1.927	€ 1.997
		322	378	488	595	701	807	860	912	964	1017	1070	1122
24	611	€ 1.363	€ 1.412	€ 1.439	€ 1.505	€ 1.624	€ 1.731	€ 1.801	€ 1.846	€ 1.921	€ 1.954	€ 2.000	€ 2.075
		336	394	509	621	732	842	897	952	1006	1061	1116	1171
25	636	€ 1.414	€ 1.462	€ 1.491	€ 1.560	€ 1.683	€ 1.797	€ 1.869	€ 1.915	€ 1.993	€ 2.029	€ 2.076	€ 2.153
		350	411	530	647	762	877	934	991	1048	1105	1163	1220
26	661	€ 1.463	€ 1.513	€ 1.544	€ 1.614	€ 1.744	€ 1.860	€ 1.937	€ 1.984	€ 2.066	€ 2.104	€ 2.152	€ 2.231
		364	427	551	673	793	912	972	1031	1090	1149	1209	1268
27	686	€ 1.513	€ 1.566	€ 1.597	€ 1.670	€ 1.804	€ 1.924	€ 2.004	€ 2.053	€ 2.138	€ 2.176	€ 2.228	€ 2.311
		378	444	572	698	823	947	1009	1071	1132	1194	1256	1317
28	711	€ 1.563	€ 1.616	€ 1.648	€ 1.724	€ 1.863	€ 1.990	€ 2.073	€ 2.122	€ 2.211	€ 2.251	€ 2.303	€ 2.388
		392	460	594	724	854	982	1046	1110	1174	1238	1302	1366
29	736	€ 1.613	€ 1.669	€ 1.700	€ 1.781	€ 1.923	€ 2.053	€ 2.139	€ 2.191	€ 2.282	€ 2.323	€ 2.378	€ 2.467
		406	476	615	750	884	1017	1084	1150	1216	1282	1349	1415
30	761	€ 1.662	€ 1.720	€ 1.753	€ 1.835	€ 1.983	€ 2.119	€ 2.207	€ 2.260	€ 2.355	€ 2.398	€ 2.452	€ 2.545
		420	493	636	776	915	1052	1121	1190	1258	1326	1395	1463
31	786	€ 1.713	€ 1.770	€ 1.805	€ 1.891	€ 2.043	€ 2.183	€ 2.275	€ 2.330	€ 2.427	€ 2.472	€ 2.528	€ 2.622
		434	509	657	802	945	1087	1158	1229	1300	1371	1442	1512
32	811	€ 1.762	€ 1.823	€ 1.857	€ 1.946	€ 2.104	€ 2.246	€ 2.342	€ 2.399	€ 2.499	€ 2.545	€ 2.603	€ 2.702
		448	526	678	828	976	1123	1196	1269	1342	1415	1488	1561
33	836	€ 1.812	€ 1.874	€ 1.908	€ 2.000	€ 2.162	€ 2.312	€ 2.410	€ 2.468	€ 2.572	€ 2.619	€ 2.679	€ 2.781
		462	542	700	854	1006	1158	1233	1308	1384	1459	1535	1610
34	861	€ 1.863	€ 1.926	€ 1.961	€ 2.058	€ 2.222	€ 2.376	€ 2.478	€ 2.536	€ 2.643	€ 2.693	€ 2.752	€ 2.858
		476	559	721	880	1037	1193	1271	1348	1426	1503	1581	1659
35	886	€ 1.913	€ 1.976	€ 2.014	€ 2.112	€ 2.282	€ 2.442	€ 2.545	€ 2.606	€ 2.716	€ 2.766	€ 2.829	€ 2.936
		490	575	742	905	1067	1228	1308	1388	1468	1547	1628	1707



DRL CORDIVARI STRADIVARI® RVS SATIN HORIZONTAL

INOX



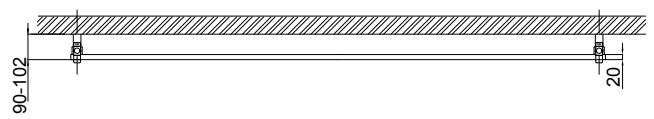
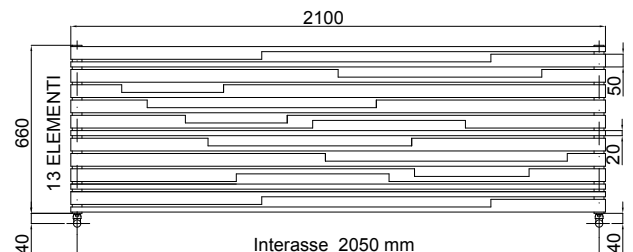
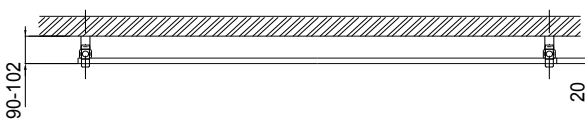
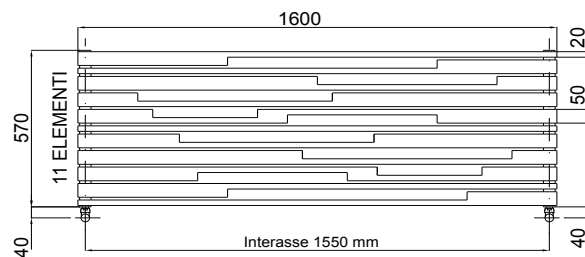
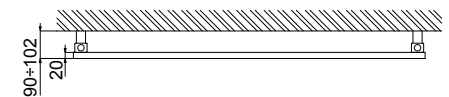
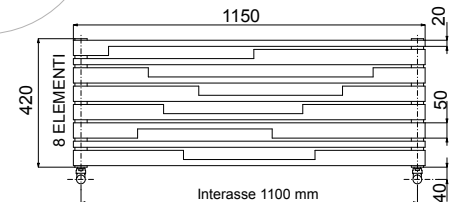
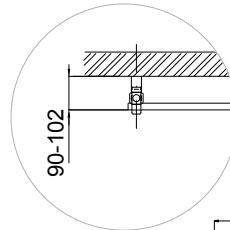
De Cordivari Stradivari® RVS Satin Horizontal radiator uit de serie Inox, is samengesteld uit verticale vlakke collectoren, waar horizontale RVS verwarmingselementen met geometrische vormen op zijn gelast.

De Stradivari® RVS radiator is volledig uitgevoerd in RVS Satin en verkrijgbaar in horizontale en verticale uitvoering. De radiator kan worden verfraaid met diverse accessoires, zoals een breed assortiment van Design kranen.



15 JAAR
GARANTIE

Luca Scachetti



DRL ART.NR.	OMSCHRIJVING	SERIE	AANTAL ELEM.	HOOGTE H (mm)	LENGTE L (mm)	H.O.H l (mm)	DIEPTE D1 (mm)	DIEPTE D2 (mm)	GEWICHT (kg)	INHOUD (l)	VERMOGEN Watt/75/65/20	PRIJS € RVS
301201	STRADIVARI RVS Satin Horizontal 420x1150	Inox	8	420	1150	100	40	90-102	14,0	6,0	378	4.610
301202	STRADIVARI RVS Satin Horizontal 570x1600	Inox	11	570	1600	1550	40	90-102	25,0	9,3	713	6.277
301203	STRADIVARI RVS Satin Horizontal 660x2100	Inox	13	660	2100	2050	40	90-102	37,0	15,0	1084	7.735

- **Materiaal:** Verticale collectoren uitgevoerd in RVS Satin. Horizontale verwarmingselementen in RVS Satin.
- **Hoogte:** 420, 570 en 660 mm.
- **Lengte:** 1150, 1600 en 2100 mm.
- **Dieptes:** Diepte radiator: 20 mm (D1). Afstand vanaf de muur tot voorkant radiator: 90-102 mm (D2).
- **Aansluitingen:** (4x 1/2") A/R.
- **P. Max:** 8 bar.
- **Werking:** Centrale verwarming.
- **T. Max:** 110°C.
- **Montageset:** Wandbeugel, ontluchter, zeskant sleutel, pluggen en schroeven voor montage in volle steen of holle wand en gebruikershandleiding.
- **Verpakking:** Beschermd d.m.v. recyclebaar karton, voorzien van polyethyleen folie.

- **Kleur:** RVS Satin.
- **Garantie:** 15 jaar fabrieksgarantie.
- **SnelSelect:** Door middel van ons SnelSelect-programma kunt u ook via het internet snel, eenvoudig en foutloos selecteren. U kunt het SnelSelect-programma gebruiken via www.snelselect.nl.
- **Kranensets:** DRL DESIGN KRANEN, zie INDEX pag. 6-7.



DRL CORDIVARI STRADIVARI® RVS SATIN VERTICAL

INOX



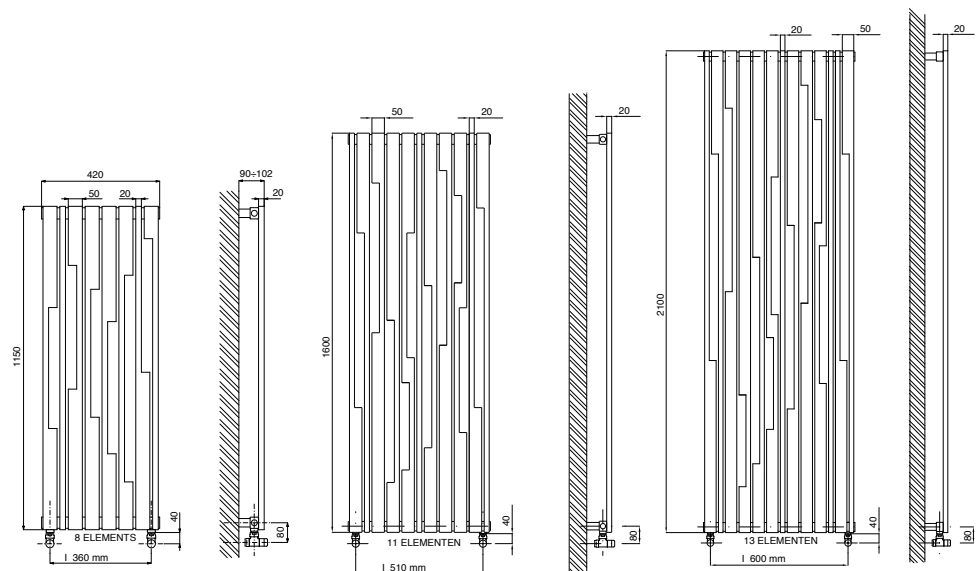
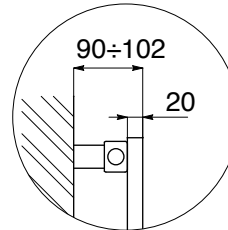
De Cordivari Stradivari® RVS Satin Vertical radiator uit de serie Inox, is samengesteld uit verticale vlakke collectoren, waar horizontale RVS verwarmingselementen met geometrische vormen op zijn gelast.

De Stradivari® RVS radiator is volledig uitgevoerd in RVS Satin en verkrijgbaar in horizontale en verticale uitvoering. De radiator kan worden verfraaid met diverse accessoires, zoals een breed assortiment van Design kranen.



15 JAAR
GARANTIE

Luca Scachetti



DRL ART.NR.	OMSCHRIJVING:	SERIE	AANTAL ELEM.	HOOGTE H (mm)	LENGTE L (mm)	H.O.H l (mm)	DIEPTE D1(mm)	DIEPTE D2 (mm)	GEWICHT (kg)	INHOUD (l)	VERMOGEN Watt/75/65/20	PRIJS € RVS
301301	STRADIVARI RVS Satin Vertical 1150x420	Inox	8	1150	420	360	40	90-102	14	6	378	4.610
301302	STRADIVARI RVS Satin Vertical 1600x570	Inox	11	1600	570	510	40	90-102	25	9,3	713	6.277
301303	STRADIVARI RVS Satin Vertical 2100x660	Inox	13	2100	660	600	40	90-102	37	15	1084	7.735

- Materiaal: Horizontale collectoren uitgevoerd in RVS Satin. Verticale verwarmingselementen in RVS Satin.
- Hoogte: 1150, 1600 en 2100 mm.
- Lengte: 420, 570 en 660 mm.
- Dieptes: Diepte radiator: 20 mm (D1). Afstand vanaf de muur tot voorkant radiator: 90-102 mm (D2).
- Aansluitingen: (4x 1/2") A/R.
- P. Max: 8 bar.
- Werking: Centrale verwarming.
- T.Max: 110°C.
- Montageset: Wandbeugel, ontlufter, zeskant sleutel, pluggen en schroeven voor montage in volle steen of holle wand en gebruikershandleiding.
- Verpakking: Beschermd d.m.v. recyclebaar karton, voorzien van polyethyleen folie.

- Kleur: RVS Satin..
- Garantie: 15 jaar fabrieksgarantie.
- SnelSelect: Door middel van ons SnelSelect-programma kunt u ook via het internet snel, eenvoudig en foutloos selecteren. U kunt het SnelSelect-programma gebruiken via www.snelselect.nl.
- Kranensets: DRL DESIGN KRANEN, zie INDEX pag. 6-7.



DRL CORDIVARI RIO® RVS POLISHED/SATIN

INOX



RIO RVS Satin

De Cordivari Rio® RVS radiator uit de serie Inox, is samengesteld uit horizontale ronde collectoren, waar verticale rond gebogen RVS verwarmingselementen op zijn gelast. Rio® RVS is volledig uitgevoerd in RVS Polished of RVS Satin en verkrijgbaar in verticale uitvoering. De radiator kan worden verfraaid met diverse accessoires, zoals een breed assortiment van Design kranen.

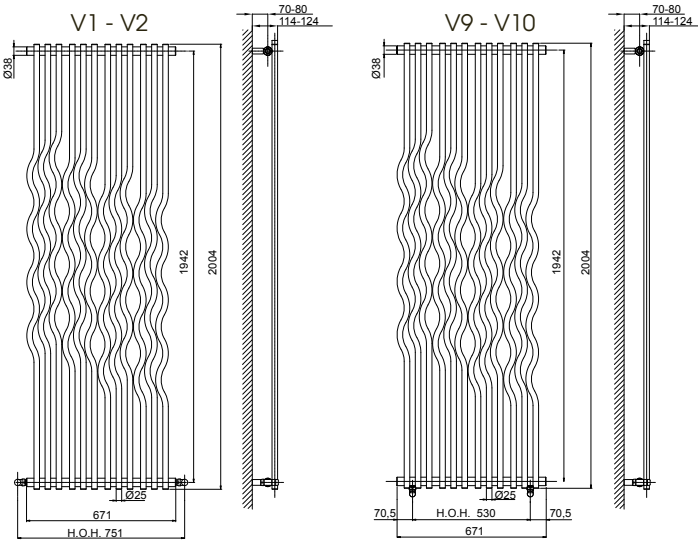
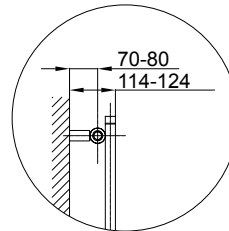


Paola Pinnaiva

15 JAAR
GARANTIE

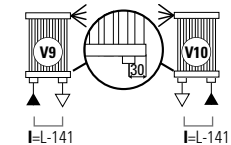
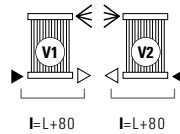


Polished



STANDAARD AANSLUITINGEN V 1-V2

SPECIALE AANSLUITINGEN V 9-V10 + €62,-



Bij bestelling dient u altijd de gewenste standaard aansluiting op te geven: (V1-V2 en V9-V10).

LEGENDA

- ▶ Aanvoer ◀ Retour ◀◀ Ontluchter H Hoogte
- ▮ Op het hart L Lengte □ Aansluiting | Blindstop

DRL ART.NR.	OMSCHRIJVING RIO RVS POLISHED	SERIE	HOOGTE H (mm)	LENGTE L (mm)	H.O.H l (mm)	DIEPTE D1 (mm)	DIEPTE D2 (mm)	DIEPTE D3 (mm)	GEWICHT (kg)	INHOUD (l)	VERMOGEN Watt/75/65/20	PRIJS € RVS
301101	RIO RVS Polished 2000x671	Inox	2000	671	751	63	114-124	70-80	26,0	16,6	863	3.640
301102	RIO RVS Satin 2000x671	Inox	2000	671	751	63	114-124	70-80	26,0	16,6	863	3.640

- **Materiaal:** Horizontale collectoren uitgevoerd in RVS Satin of Polished met een diameter van Ø 38 mm. Enkele rij van verticale en ronde verwarmingselementen in RVS Satin of Polished met een diameter van Ø 25 mm.
- **Hoogte:** 2000 mm.
- **Lengte:** 671 mm.
- **Dieptes:** Diepte radiator: 63 mm (D1). Afstand vanaf de muur tot voorkant radiator: 114-124 mm (D2). Afstand vanaf de muur tot het hart van de aansluiting: 70-80 mm.
- **Aansluitingen:** (2x 1/2") A/R + (1x1/8") ontluchter
- **P. Max:** 8 bar.
- **Werking:** Centrale verwarming.
- **T. Max:** 110°C.
- **Montageset:** Wandbeugel, ontluchter, zeskant sleutel, pluggen en schroeven voor montage in volle steen of holle wand en gebruikershandleiding.

- **Verpakking:** Beschermd d.m.v. recyclebaar karton, voorzien van polyethyleen folie.
- **Kleur:** RVS Polished of Satin.
- **Garantie:** 15 jaar fabrieksgarantie.
- **SnelSelect:** Door middel van ons SnelSelect-programma kunt u ook via het internet snel, eenvoudig en foutloos selecteren. U kunt het SnelSelect-programma gebruiken via www.snelselect.nl.
- **Kranensets:** DRL DESIGN KRANEN, zie INDEX pag. 6-7.



DRL CORDIVARI KELLY RVS POLISHED

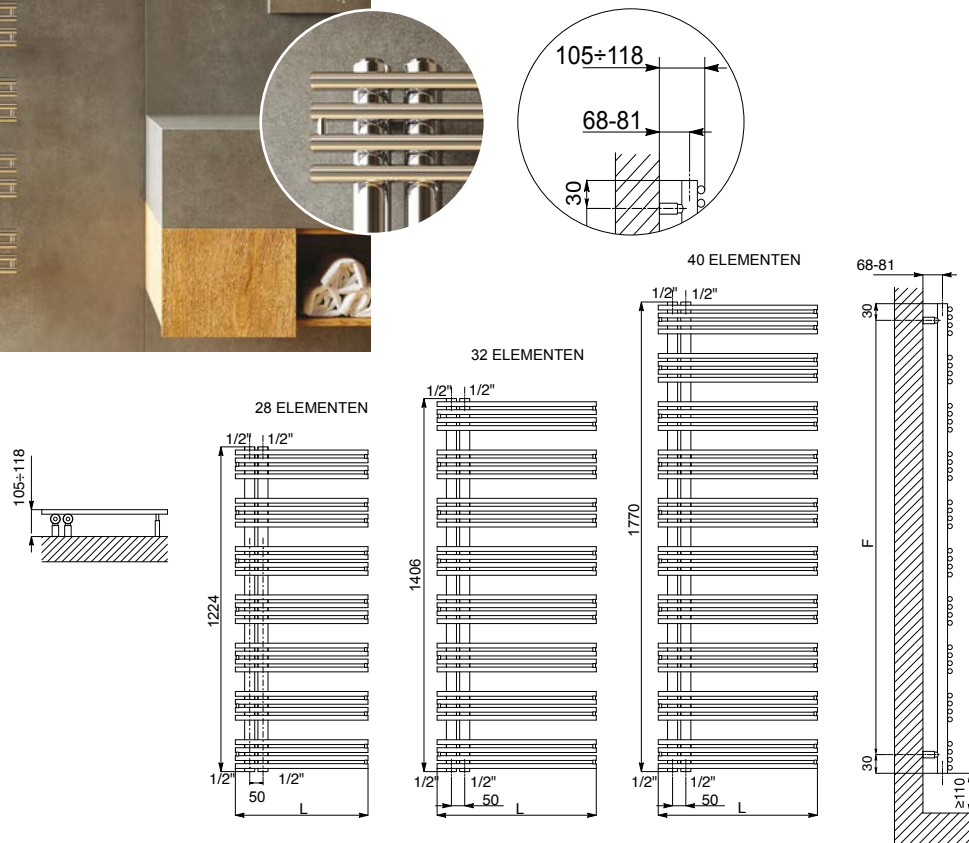
INOX



De Cordivari Kelly RVS radiator uit de serie Inox, is samengesteld uit horizontale ronde collectoren, waar verticale rond RVS verwarmingselementen op zijn gelast.

Kelly RVS is volledig uitgevoerd in RVS Polished en verkrijgbaar in verticale uitvoering. De radiator kan worden verfraaid met diverse accessoires, zoals een breed assortiment van Design kranen.

15 JAAR
GARANTIE



DRL ART.NR.	OMSCHRIJVING KELLY RVS POLISHED	SERIE	AANTAL ELEM.	HOOGTE H (mm)	LENGTE L (mm)	H.O.H l (mm) COMPACT	DIEPTE D1 (mm)	DIEPTE D2 (mm)	DIEPTE D3 (mm)	GEWICHT (kg)	INHOUD (l)	VERMOGEN-Watt/75/65/20	PRIJS € RVS
300901	KELLY COMPACT 50mm RVS Polished 1224x500	Inox	28	1224	500	50	56	105-118	68-81	10,3	5,0	434	1.141
300902	KELLY COMPACT 50mm RVS Polished 1224x600	Inox	28	1224	600	50	56	105-118	68-81	11,7	5,6	504	1.239
300903	KELLY COMPACT 50mm RVS Polished 1406x500	Inox	32	1406	500	50	56	105-118	68-81	11,8	5,8	489	1.338
300904	KELLY COMPACT 50mm RVS Polished 1406x600	Inox	32	1406	600	50	56	105-118	68-81	13,3	6,3	584	1.444
300905	KELLY COMPACT 50mm RVS Polished 1770x500	Inox	40	1770	500	50	56	105-118	68-81	14,8	7,2	624	1.538
300906	KELLY RVS Polished 1770x600	Inox		1770	600	50	56	105-118	68-81	16,7	7,9	726	1.697

- **Materiaal:** Verticale collectoren in RVS Polished met een diameter van Ø 38 mm. Horizontale ronde verwarmingselementen in RVS Polished Ø 18 mm.
- **Hoogte:** 1224, 1406 en 1170 mm.
- **Lengte:** 500 en 600 mm.
- **Dieptes:** Diepte radiator: 56 mm (D1). Afstand vanaf de muur tot voorkant radiator: 105-118 mm (D2). Afstand vanaf de muur tot het hart van de aansluiting: 68-81 mm.
- **Aansluitingen:** (4x 1/2") A/R.
- **P. Max:** 8 bar.
- **Werking:** Centrale verwarming.
- **T. Max:** 110°C.
- **Montageset:** Wandbeugel, ontlufter, zeskant sleutel, pluggen en schroeven voor montage in volle steen of holle wand en gebruikershandleiding..
- **Verpakking:** Beschermd d.m.v. recyclebaar karton, voorzien van polyethyleen folie.

- **Kleur:** RVS Polished.
- **Garantie:** 15 jaar fabrieksgarantie.
- **SnelSelect:** Door middel van ons SnelSelect-programma kunt u ook via het internet snel, eenvoudig en foutloos selecteren. U kunt het SnelSelect-programma gebruiken via www.snelselect.nl.
- **Kranensets:** DRL DESIGN KRANEN, zie INDEX pag. 6-7.



Compactaansluiting



CORDIVARI EXTRA SLIM RADIATOREN
0 1 . 0 7 . 2 0 2 1

EXTRA SLIM[®]

MOVIE[®] - E.SIGN[®] - HAND[®]
GIULY[®] - BADGE[®] - JUNGLE[®]

Cordivari Design biedt een nieuwe serie designradiatoren. Dankzij technologisch onderzoek en de bijdrage van belangrijke ontwerpers is de innovatieve ExtraSlim[®]-Line ontwikkeld. Deze designradiatoren voldoen aan de functionele behoeften van verwarmen en brengen tevens een revolutie teweeg. Het resultaat is een reeks onderscheidende ultra dunne radiatoren die de traditionele handdoekwarmers overtreffen. De ExtraSlim[®]-Line van Cordivari Design heeft prestigieuze prijzen gewonnen en internationale onderscheidingen zoals de IF Design Award, de Design Plus Award, Comfort & Design Award, Lazienka Award, de Design Ideobain Nominé, de Iconic Award en de German Design Award.

CORDIVARI DESIGN

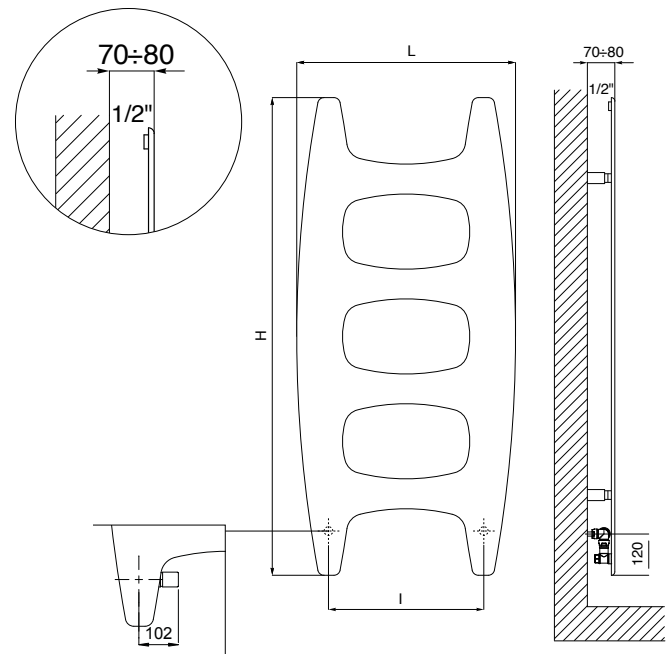


De Cordivari Movie® radiator uit de serie ExtraSlim® is samengesteld uit een ultradunne verwarmingsplaat in gelakt carbon staal. De Movie® radiator is verkrijgbaar in verticale uitvoering. De radiator kan worden verfraaid met diverse accessoires, zoals een breed assortiment van Design kranen.

Bij het ontwerp voor deze innovatieve radiator werd de designer geïnspireerd door de film als het origineel van de visuele communicatie. De radiator neemt qua vormgeving en techniek grote afstand van het traditionele radiator imago. Met dit ontwerp is een vriendelijk ogend object ontstaan dat symbool staat voor een menselijke levensstijl.



Mariano
Maroni



COMFORT & DESIGN

NOMINÉ

DRL ART.NR.	OMSCHRIJVING	SERIE	HOOGTE H (mm)	LENGTE L (mm)	H.O.H l (mm)	DIEPTE D1 (mm)	DIEPTE D2 (mm)	GEWICHT (kg)	INHOUD (l)	VERMOGEN Watt/75/65/20	PRIJS € RAL 9010
302100	MOVIE 1392x642	Extra Slim	1392	642	450	7	70-80	18,0	1,3	559	1.384
302101	MOVIE 1130x510	Extra Slim	1130	510	360:400	7	70-80	15,0	1,1	385	1.071

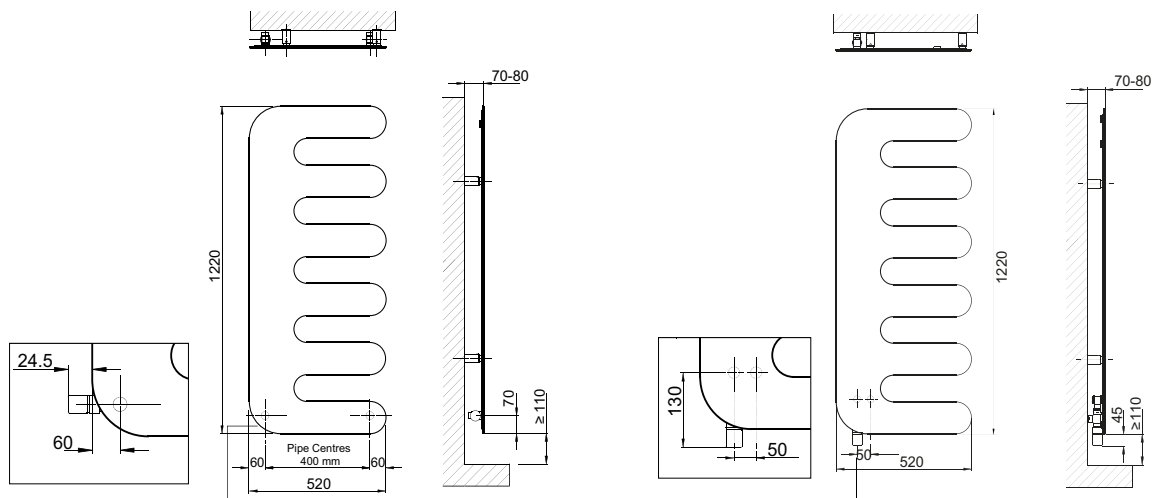
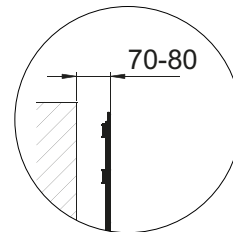
- Materiaal: Enkele verwarmingsplaat uitgevoerd in gecoat carbonstaal met een dikte van 7 mm.
- Hoogte: 1130 en 1392 mm.
- Lengte: 510 en 642 mm.
- Dieptes: Diepte radiator: 7 mm (D1).
Afstand vanaf de muur tot voorkant radiator: 70-80 mm (D2).
▪ Aansluitingen: (2x 1/2") A/R + (2x 1/2") ontlufter.
- P. Max: 5 bar.
- Werking: Centrale verwarming.
- T. Max: 110°C
- Montageset: Wandbeugel, ontlufter, zeskant sleutel, pluggen en schroeven voor montage in volle steen of holle wand en gebruikershandleiding

- Aansluitset: Inbegrepen: Afsluiters .
Fittingen voor koperen pijp Ø 12/14/15 mm.
Fittingen voor multilayerbuis Ø 16 mm.
- Verpakking: Beschermd d.m.v. recyclebaar karton, voorzien van polyethyleen folie.
- Kleur: Standaardkleur RAL 9010 (gepoedercoat met ecologisch epoxy poeder. (Certificaat DIN 5590-1,-2). Tevens leverbaar in alle CORDIVARI COLORS tegen een meerprijs van 30% per radiator zie pag. 378-379.
- Garantie: 5 jaar fabrieksgarantie.
- SnelSelect: Door middel van ons SnelSelect-programma kunt u ook via het internet snel, eenvoudig en foutloos selecteren.
U kunt het SnelSelect-programma gebruiken via www.snelselect.nl.



De E.Sign® radiator is samengesteld uit een ultradunne verwarmingsplaat in gelakt carbon staal, uit de serie ExtraSlim®. De E.Sign® radiator is verkrijgbaar in verticale uitvoering en kan omgekeerd geplaatst worden. De praktische open vlakken in deze Cordivari E.Sign radiator, bieden plaats om meerdere handdoeken te positioneren.

De radiator kan worden verfraaid met diverse accessoires, zoals een breed assortiment van Design kranen.



DRL ART.NR.	OMSCHRIJVING	SERIE	HOOGTE H (mm)	LENGTE L (mm)	H.O.H l (mm)	DIEPTE D1(mm)	DIEPTE D2 (mm)	GEWICHT (kg)	INHOUD (l)	VERMOGEN Watt/75/65/20	PRIJS € RAL 9010
302010	E.SIGN 1220x520 400mm aansluiting	Extra Slim	1220	520	400	7	70-80	16,2	1,3	508	1.370
302011	E.SIGN 1220x520 50mm aansluiting	Extra Slim	1220	520	50	7	70-80	16,2	1,3	508	1.370

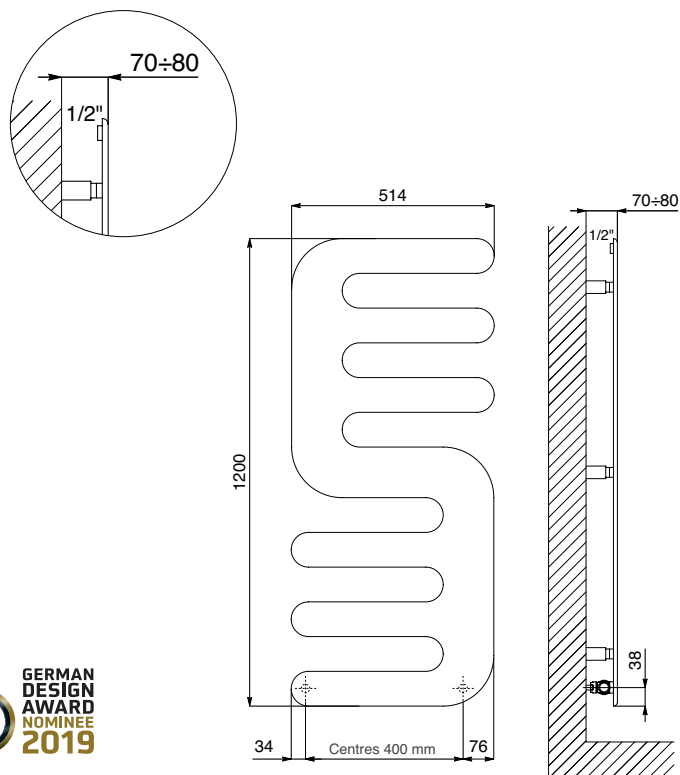
- **Materiaal:** Enkele verwarmingsplaat uitgevoerd in gecoat carbonstaal met een dikte van 7 mm.
- **Hoogte:** 1220 mm.
- **Lengte:** 520 mm.
- **Dieptes:** Diepte radiator: 7 mm (D1). Afstand vanaf de muur tot voorkant radiator: 70-80 mm. (D2).
- **Aansluitingen:** (2x 1/2") A/R + (2x 1/2") ontluchter.
- **P. Max:** 5 bar.
- **Werking:** Centrale verwarming.
- **T. Max:** 110°C.
- **Montageset:** Wandbeugel, ontluchter, zeskant sleutel, pluggen en schroeven voor montage in volle steen of holle wand en gebruikershandleiding.

- **Aansluitset:** Inbegrepen: afsluiters en thermostaatknop. Fittingen voor koperen pijp Ø 12/14/15 mm. Fittingen voor multilayerbuis Ø 16 mm.
- **Verpakking:** Beschermd d.m.v. recyclebaar karton, voorzien van polyethyleen folie.
- **Kleur:** Standaardkleur RAL 9010 (gepoedercoat met ecologisch epoxy poeder. (Certificaat DIN 5590-1,-2). Tevens leverbaar in alle CORDIVARI COLORS tegen een meerprijs van 30% per radiator zie pag. 378-379.
- **Garantie:** 5 jaar fabrieksgarantie.
- **SnelSelect:** Door middel van ons SnelSelect-programma kunt u ook via het internet snel, eenvoudig en foutloos selecteren. U kunt het SnelSelect-programma gebruiken via www.snelselect.nl.



De Cordivari Hand® radiator uit de serie ExtraSlim® is samengesteld uit een ultradunne verwarmingsplaat in gelakt carbon staal. De Hand® radiator is verkrijgbaar in verticale uitvoering. De radiator kan worden verfraaid met diverse accessoires, zoals een breed assortiment van Design kranen.

Hand® is een radiator dat een fris design karakteriseert met een originele compositie van verwarmingselementen. Door de verborgen kranen en bevestigingsbeugels blijft de innovatieve vorm van de Hand® puur en zuiver. Een hulde aan de menselijke creativiteit vol van symbool en visie.



DRL ART.NR.	OMSCHRIJVING:	SERIE	HOOGTE H (mm)	LENGTE L (mm)	H.O.H l (mm)	DIEPTE D1(mm)	DIEPTE D2 (mm)	GEWICHT (kg)	INHOUD (l)	VERMOGEN Watt/75/65/20	PRIJS € RAL 9010
302000	HAND 1200x514	Extra Slim	1200	514	400	7	70-80	15,5	1,3	490	1.435

- Materiaal: Enkele verwarmingsplaat uitgevoerd in gecoat carbonstaal met een dikte van 7 mm.
- Hoogte: 1200 mm.
- Lengte: 514 mm.
- Dieptes: Diepte radiator: 7 mm (D1).
Afstand vanaf de muur tot voorkant radiator: 70-80 mm (D2).
- Aansluitingen: (2x 1/2") A/R + (2x 1/2") ontlufter.
- P. Max: 5 bar.
- Werking: Centrale verwarming.
- T. Max: 110°C.
- Montageset: Wandbeugel, ontlufter, zeskant sleutel, pluggen en schroeven voor montage in volle steen of holle wand en gebruikershandleiding.

- Aansluitset: Inbegrepen: Afsluiters.
Fittingen voor koperen pijp Ø 12/14/15 mm.
Fittingen voor multilayerbuis Ø 16 mm.
- Verpakking: Beschermd d.m.v. recyclebaar karton, voorzien van polyethyleen folie.
- Kleur: Standaardkleur RAL 9010 (gepoedercoat met ecologisch epoxy poeder. (Certificaat DIN 5590-1,-2). Tevens leverbaar in alle CORDIVARI COLORS tegen een meerprijs van 30% per radiator zie pag. 378-379.
- Garantie: 5 jaar fabrieksgarantie.
- SnelSelect: Door middel van ons SnelSelect-programma kunt u ook via het internet snel, eenvoudig en foutloos selecteren.
U kunt het SnelSelect-programma gebruiken via www.snelselect.nl.



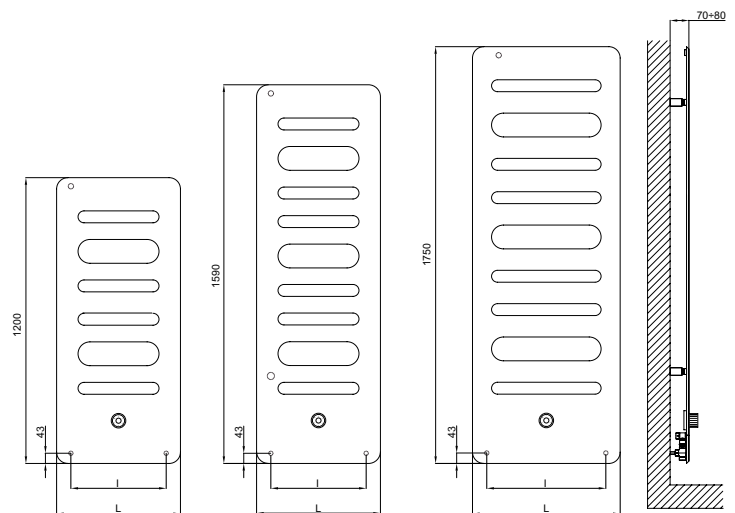
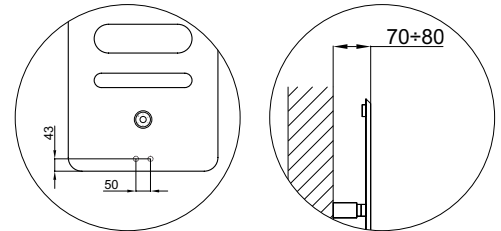
De Giuly® radiator is samengesteld uit een ultradunne verwarmingsplaat in gelakt carbon staal, uit de serie ExtraSlim®.

De Giuly® radiator is verkrijgbaar in verticale uitvoering. De radiator kan worden verfraaid met diverse accessoires, zoals een breed assortiment van Design kranen.

Dit concept van decoratieve radiatoren biedt technologie, warmtekracht en een ongelooflijke slanke vorm van slechts 7 mm. Ze is gemaakt en ontworpen door de architect Mariano Morini. De inspiratie voor zijn ontwerp komt van de automotive industry en de vorm is ontstaan vanuit een herinterpretatie van details en grafische scans die grilles en vents laten zien. Giuly® is zeer ergonomisch met een verborgen ventiel, maar met een makkelijk bereikbare frontaal geplaatst thermostatisch regelement.



Marianno
Maroni



DRL ART.NR.	OMSCHRIJVING:	SERIE	HOOGTE H (mm)	LENGTE L (mm)	H.O.H l (mm)	DIEPTE D1(mm)	DIEPTE D2 (mm)	GEWICHT (kg)	INHOUD (l)	VERMOGEN Watt/75/65/20	PRIJS € RAL 9010
301501	GIULY 1200x520	ExtraSlim	1200	520	400	7	70-80	16,0	0,9	521	1.384
301502	GIULY 1590x520	ExtraSlim	1590	520	400	7	70-80	20,0	1,2	714	1.690
301503	GIULY 1750x620	ExtraSlim	1750	620	500	7	70-80	26,0	1,5	900	1.995
301510	GIULY COMPACT 50mm 1200x520	ExtraSlim	1200	520	50	7	70-80	16,0	0,9	521	1.384
301511	GIULY COMPACT 50mm 1590x520	ExtraSlim	1590	520	50	7	70-80	20,0	1,2	714	1.690
301512	GIULY COMPACT 50mm 1750x620	ExtraSlim	1750	620	50	7	70-80	26,0	1,5	900	1.995

- Materiaal: Enkele verwarmingsplaat uitgevoerd in gecoat carbonstaal met een dikte van 7 mm.
- Hoogte: 1200, 1590 en 1750 mm.
- Lengte: 520 en 620 mm.
- Dieptes: Diepte radiator: 7 mm (D1). Afstand vanaf de muur tot voorkant radiator: 70-80 mm (D2).
- Aansluitingen: (2x ½") A/R + (2x1/2") ontluchter.
- P. Max: 5 bar.
- Werking: Centrale verwarming.
- T.Max: 110°C.
- Montageset: Wandbeugel, ontluchter, zeskant sleutel, pluggen en schroeven voor montage in volle steen of holle wand en gebruikershandleiding.

- Aansluitset: Inbegrepen: afsluiters en thermostaatknop. Fittingen voor koperen pijp Ø 12/14/15 mm. Fittingen voor multilayerbuis Ø 16 mm.
- Verpakking: Beschermd d.m.v. recyclebaar karton, voorzien van polyethyleen folie.
- Kleur: Standaardkleur RAL 9010 (gepoedercoat met ecologisch epoxy poeder. (Certificaat DIN 5590-1,-2). Tevens leverbaar in alle CORDIVARI COLORS tegen een meerprijs van 30% per radiator zie pag. 378-379.
- Garantie: 5 jaar fabrieksgarantie.
- SnelSelect: Door middel van ons SnelSelect-programma kunt u ook via het internet snel, eenvoudig en foutloos selecteren. U kunt het SnelSelect-programma gebruiken via www.snelselect.nl.



De Cordivari Badge® radiator uit de serie ExtraSlim® is samengesteld uit een ultradunne verwarmingsplaat in gelakt carbon staal.

De Badge® radiator is verkrijgbaar in een horizontale en 2 verticale uitvoeringen. De radiator kan worden verfraaid met diverse accessoires, zoals een breed assortiment van Design kranen.

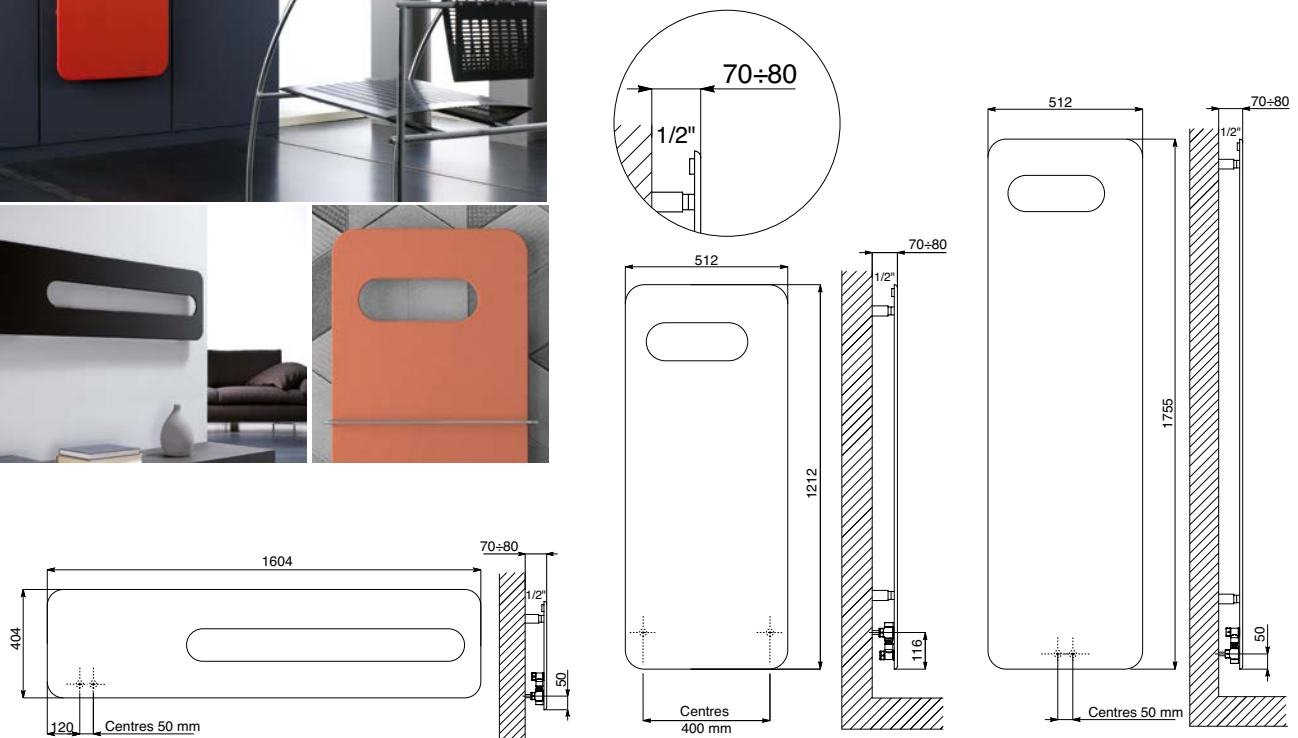
Badge® een uniek concept op het gebied van design radiatoren, dankzij de originele vormgeving. Drie modellen die alle benodigde functionaliteiten bezitten welke een radiator nodig heeft zij vertegenwoordigen een revolutie dankzij hun design en door toepassing van innovatieve technologieën. Kenmerken die hebben bijgedragen aan het bereiken van de prestigieuze Design Plus ISH 2007 en de Comfort en Design 2008 Awards.

DESIGN PLUS

WINNER
COMFORT & DESIGN
AWARD

LAZIENKA

AWARD
PRIX DU DESIGN IDÉO BAIN
NOMINÉ



DRL ART.NR.	OMSCHRIJVING	SERIE	HOOGTE H (mm)	LENGTE L (mm)	H.O.H l (mm)	DIEPTE D1(mm)	DIEPTE D2 (mm)	GEWICHT (kg)	INHOUD (l)	VERMOGEN Watt/75/65/20	PRIJS € RAL 9010
301601	BADGE COMPACT 50mm Horizontal 404x1604	Extra Slim	404	1604	50	7	70-80	19,0	1,1	572	1.346
301611	BADGE Vertical 1212x512	Extra Slim	1212	512	400	7	70-80	20,0	0,8	567	1.310
301612	BADGE COMPACT 50mm Vertical 1755x512	Extra Slim	1755	512	50	7	70-80	28,5	1,2	795	1.677
399059	Rechte handdoekbeugel Polished RVS (L570)	ExtraSlim	-	570						-	172

- = Materiaal: Enkele verwarmingsplaat uitgevoerd in gecoat carbonstaal met een dikte van 7 mm.
- = Hoogte: 1200 mm.
- = Lengte: 514 mm.
- = Dieptes: Diepte radiator: 7 mm (D1).
Afstand vanaf de muur tot voorkant radiator: 70-80 mm (D2).
- = Aansluitingen: (2x 1/2") A/R + (1x 1/2") ontluchter.
- = P. Max: 5 bar.
- = Werking: Centrale verwarming.
- = T.Max: 110°C.
- = Montageset: Wandbeugel, ontluchter, zeskant sleutel, pluggen en schroeven voor montage in volle steen of holle wand en gebruikershandleiding

- = Aansluitset: Inbegrepen: Afsluiters.
Fittingen voor koperen pijp Ø 12/14/15 mm.
Fittingen voor multilayerbuis Ø 16 mm.
- = Verpakking: Beschermd d.m.v. recyclebaar karton, voorzien van polyethyleen folie.
- = Kleur: Standaardkleur RAL 9010 (gepoedercoat met ecologisch epoxy poeder. (Certificaat DIN 5590-1,-2). Tevens leverbaar in alle CORDIVARI COLORS tegen een meerprijs van 30% per radiator zie pag. 378-379.
- = Garantie: 5 jaar fabrieksgarantie.
- = SnelSelect: Door middel van ons SnelSelect-programma kunt u ook via het internet snel, eenvoudig en foutloos selecteren.
U kunt het SnelSelect-programma gebruiken via www.snelselect.nl.

DRL CORDIVARI: **BADGE® CONTROL**

EXTRA SLIM



De Badge® Control radiator is een variatie op de Badge radiator en is samengesteld uit een ultradunne verwarmingsplaat in gelakt carbon staal, uit de serie ExtraSlim®. De Badge® Control radiator is verkrijgbaar in 1 horizontale en 1 verticale uitvoeringen en heeft tevens een thermostaatknop. De radiator kan worden verfraaid met diverse accessoires, zoals een breed assortiment van Design kranen.

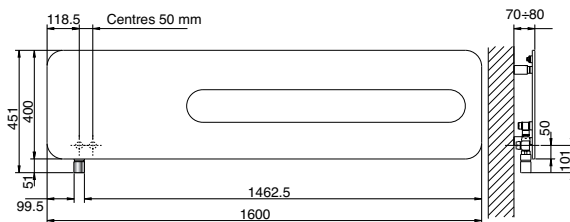
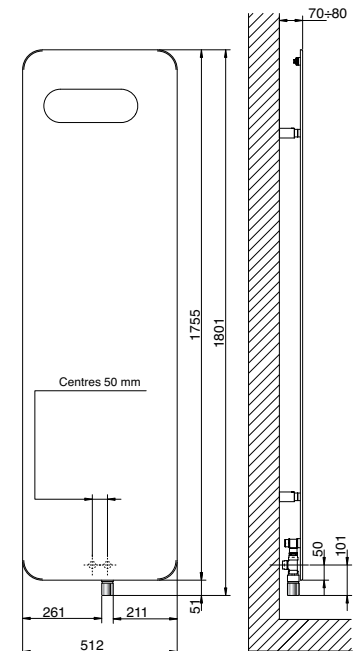
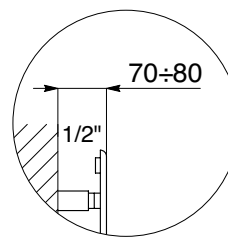
Badge® een uniek concept op het gebied van design radiatoren, dankzij de originele vormgeving. Drie modellen die alle benodigde functionaliteiten bezitten welke een radiator nodig heeft zij vertegenwoordigen een revolutie dankzij hun design en door toepassing van innovatieve technologieën. Kenmerken die hebben bijgedragen aan het bereiken van de prestigieuze Design Plus ISH 2007 en de Comfort en Design 2008 Awards.

DESIGN PLUS

WINNER
COMFORT & DESIGN
AWARD

LAZIENKA

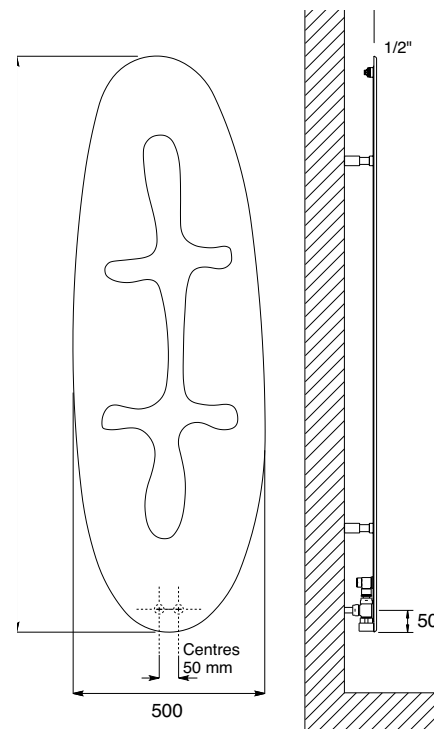
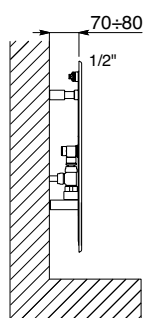
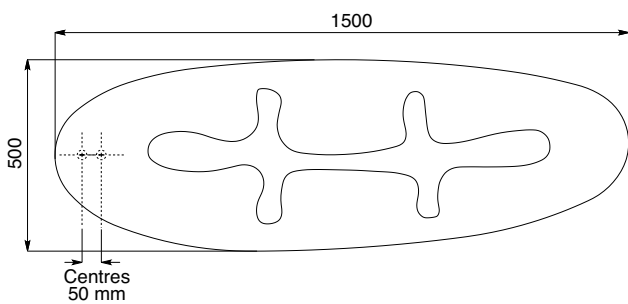
AWARD
PRIX DU DESIGN IDÉO BAIN
NOMINÉ



DRL ART.NR.	OMSCHRIJVING	SERIE	HOOGTE H (mm)	LENGTE L (mm)	I (mm) COMPACT	H.O.H	DIEPTE D1 (mm)	DIEPTE D2 (V)	GEWICHT (kg)	INHOUD (l)	VERMOGEN Watt/75/65/20	PRIJS € RAL 9010
301701	BADGE COMPACT 50mm Horizontal Control 404x1604	Extra Slim	404	1604		50	7	70-80	19,00	1,1	572	1.455
301710	BADGE COMPACT 50mm Vertical Control 1755x512	Extra Slim	1755	512		50	7	70-80	28,5	1,2	795	1.418
399059	Rechte handdoekbeugel Polished RVS (L570)	ExtraSlim	-	570							-	172

- Materiaal: Enkele verwarmingsplaat uitgevoerd in gecoat carbonstaal met een dikte van 7 mm.
- Hoogte: 1200 mm.
- Lengte: 514 mm.
- Dieptes: Diepte radiator: 7 mm (D1).
Afstand vanaf de muur tot voorkant radiator: 70-80 mm (D2).
- Aansluitingen: (2x 1/2") A/R + (1x 1/2") ontluchter.
- P. Max: 5 bar.
- Werking: Centrale verwarming.
- T. Max: 110°C.
- Montageset: Wandbeugel, ontluchter, zeskant sleutel, pluggen en schroeven voor montage in volle steen of holle wand en gebruikershandleiding.

- Aansluitset: Inbegrepen: afsluiters en thermostaatknop.
Fittingen voor koperen pijp Ø 12/14/15 mm.
Fittingen voor multilayerbuis Ø 16 mm.
- Verpakking: Beschermd d.m.v. recyclebaar karton, voorzien van polyethyleen folie.
- Kleur: Standaardkleur RAL 9010 (gepoedercoat met ecologisch epoxy poeder. (Certificaat DIN 5590-1,-2). Tevens leverbaar in alle CORDIVARI COLORS tegen een meerprijs van 30% per radiator zie pag. 378-379.
- Garantie: 5 jaar fabrieksgarantie.
- SnelSelect: Door middel van ons SnelSelect-programma kunt u ook via het internet snel, eenvoudig en foutloos selecteren.
U kunt het SnelSelect-programma gebruiken via www.snelselect.nl.



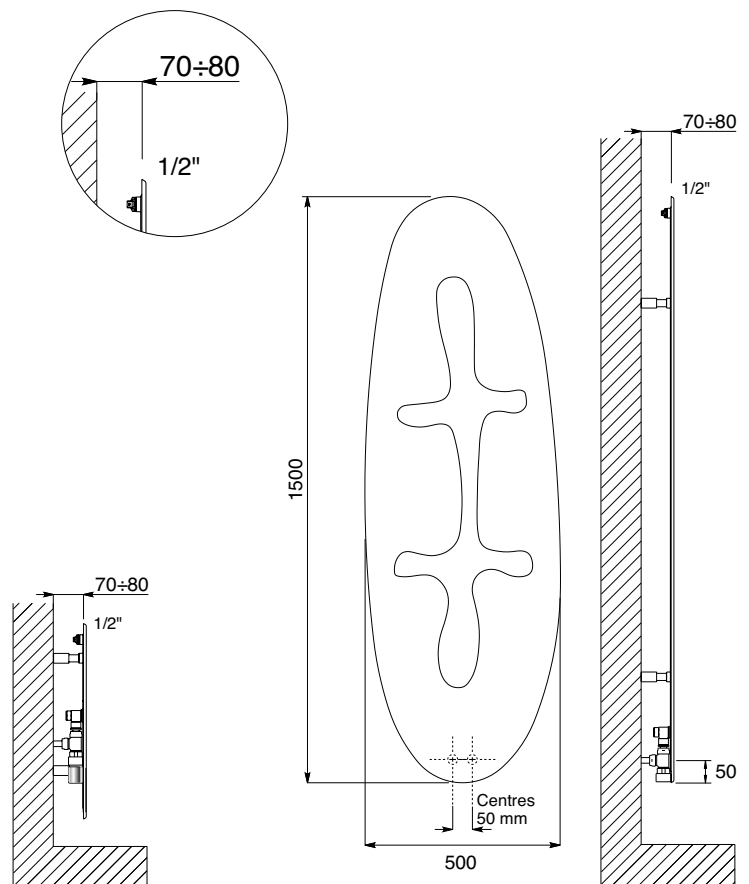
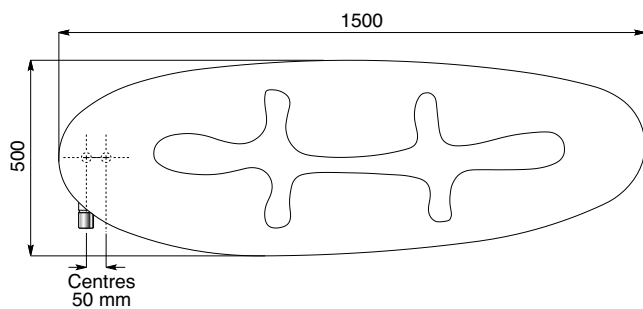
DRL ART.NR.	OMSCHRIJVING	SERIE	HOOGTE H (mm)	LENGTE L (mm)	H.O.H I (mm)	DIEPTE D1 (mm)	DIEPTE D2 (mm)	GEWICHT (kg)	INHOUD (l)	VERMOGEN Watt/75/65/20	PRIJS € RAL 9010
302201	JUNGLE Horizontal 500x1500	Extra Slim	500	1500	50	7	70-80	19,0	1,0	557	1.481
302210	JUNGLE Vertical 1500x500	Extra Slim	1500	500	50	7	70-80	19,0	1,0	573	1.481

- **Materiaal:** Enkele verwarmingsplaat uitgevoerd in gecoat carbonstaal met een dikte van 7 mm.
- **Hoogte:** 1200 mm.
- **Lengte:** 514 mm.
- **Dieptes:** Diepte radiator: 7 mm (D1).
Afstand vanaf de muur tot voorkant radiator: 70-80 mm (D2).
- **Aansluitingen:** (2x 1/2") A/R + (1x 1/2") ontluchter.
- **P. Max:** 5 bar.
- **Werking:** Centrale verwarming.
- **T. Max:** 110°C.
- **Montageset:** Wandbeugel, ontluchter, zeskant sleutel, pluggen en schroeven voor montage in volle steen of holle wand en gebruikershandleiding.

- **Aansluitset:** Inbegrepen: Afsluiters.
Fittingen voor koperen pijp Ø 12/14/15 mm.
Fittingen voor multilayerbuis Ø 16 mm.
- **Verpakking:** Beschermd d.m.v. recyclebaar karton, voorzien van polyethyleen folie.
- **Kleur:** Standaardkleur RAL 9010 (gepoedercoat met ecologisch epoxy poeder (Certificaat DIN 5590-1,-2). Tevens leverbaar in alle CORDIVARI COLORS tegen een meerprijs van 30% per radiator zie pag. 378-379.
- **Garantie:** 5 jaar fabrieksgarantie.
- **SnelSelect:** Door middel van ons SnelSelect-programma kunt u ook via het internet snel, eenvoudig en foutloos selecteren.
U kunt het SnelSelect-programma gebruiken via www.snelselect.nl.

DRL CORDIVARI JUNGLE® CONTROL

EXTRA SLIM



DRL ART.NR.	OMSCHRIJVING	SERIE	HOOGTE H (mm)	LENGTE L (mm)	H.O.H COMPACT I (mm)	DIEPTE D1 (mm)	DIEPTE D2 (mm)	GEWICHT (kg)	INHOUD (l)	VERMOGEN Watt/75/65/20	PRIJS € RAL 9010
302301	JUNGLE Horizontal CNT CONTROL 500x1500	Extra Slim	500	1500	50	7	70-80	19,0	1,0	557	1.590
302310	JUNGLE Vertical CNT CONTROL 1500x500	Extra Slim	1500	500	50	7	70-80	19,0	1,0	573	1.590

- **Materiaal:** Enkele verwarmingsplaat uitgevoerd in gecoat carbonstaal met een dikte van 7 mm.
- **Hoogte:** 500 en 1500 mm.
- **Lengte:** 500 en 1500 mm.
- **Dieptes:** Diepte radiator: 7 mm (D1).
Afstand vanaf de muur tot voorkant radiator: 70-80 mm (D2).
- **Aansluitingen:** (2x 1/2") A/R + (1x 1/2") ontluchter.
- **P. Max:** 5 bar.
- **Werking:** Centrale verwarming.
- **T. Max:** 110°C.
- **Montageset:** Wandbeugel, ontluchter, zeskant sleutel, pluggen en schroeven voor montage in volle steen of holle wand en gebruikershandleiding.

- **Aansluitset:** Inbegrepen: Afsluiters en thermostaatknop.
Fittingen voor koperen pijp Ø 12/14/15 mm.
Fittingen voor multilayerbuis Ø 16 mm.
- **Verpakking:** Beschermd d.m.v. recyclebaar karton, voorzien van polyethyleen folie.
- **Kleur:** Standaardkleur RAL 9010 (gepoedercoat met ecologisch epoxy poeder. (Certificaat DIN 5590-1,-2). Tevens leverbaar in alle CORDIVARI COLORS tegen een meerprijs van 30% per radiator zie pag. 378-379.
- **Garantie:** 5 jaar fabrieksgarantie.
- **SnelSelect:** Door middel van ons SnelSelect-programma kunt u ook via het internet snel, eenvoudig en foutloos selecteren.
U kunt het SnelSelect-programma gebruiken via www.snelselect.nl.



CORDIVARI NEODESIGN RADIATOREN

2

NEO DESIGN

ARIANNA - LUCY - CLAUDIA
KATIA - NAIKE - ROSY
GROOVE - ROADS - FRAME
ALICE - KARIN - KEIRA

De Neo Design-radiatoren van Cordivari design worden beïnvloed door minimalisme. Zuiverheid, essentie van lijnen en architecturale vormen zijn de belangrijkste elementen. Een perfecte synthese tussen esthetiek en functionaliteit garanderen hoge thermische opbrengsten, in lijn met de huidige normen in een energiebesparend perspectief. Het Neo Design-assortiment met zijn unieke stijl is in staat om elk type omgeving te verbeteren.

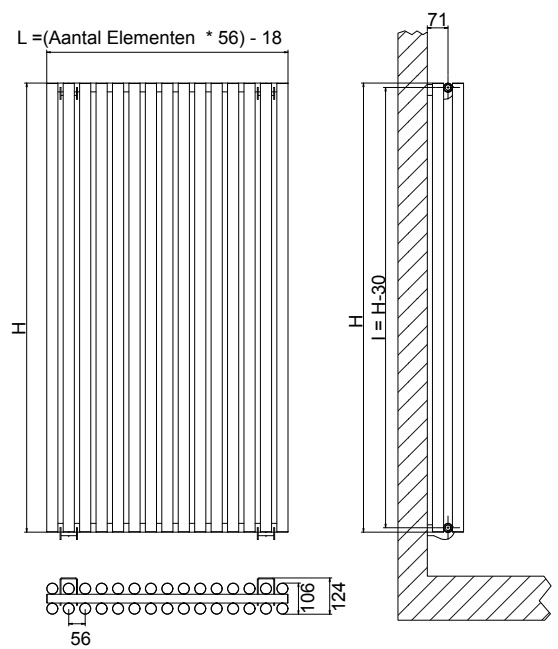
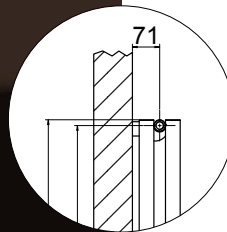
CORDIVARI DESIGN



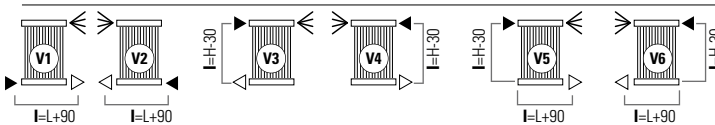
De Cordivari Arianna NeoDesign radiator is samengesteld uit horizontale ronde collectoren, waar een dubbele rij ronde verwarmingselementen op zijn gelast. Arianna is uitgevoerd in gepoedercoat carbon staal en verkrijgbaar in horizontale en verticale uitvoering.

De radiator kan worden verfraaid met diverse accessoires, zoals een breed assortiment van Design kranen.

De Cordivari Arianna NeoDesign radiator, is een stijlvolle radiator die kenmerkend is door zijn dikke buizen. Dankzij de vorm en de positionering van de verwarmingselementen ontstaat een zeer hoge warmteafgifte.



STANDAARDAANSLUITINGEN V

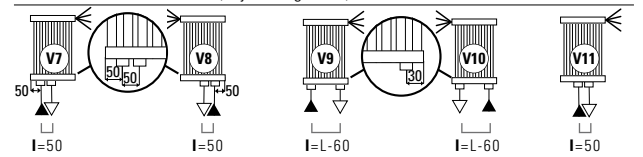


Bij bestelling dient u altijd de gewenste standaard aansluiting op te geven: (van V1 tot V6).

LEGENDA

► Aanvoer ◄ Retour ◀ Ontluchter H Hoogte I Op het hart L Lengte □ Aansluiting | Blindstop

SPECIALE AANSLUITINGEN V (Prijstoeslag € 62,-)



Bij bestelling dient u altijd de gewenste aansluiting op te geven: (van V7,V8,V9,V10,V11).

- **Materiaal:** Horizontale collectoren uitgevoerd in gecoat carbonstaal met een diameter van Ø 30 mm. Dubbele verticale ronde verwarmingselementen in gecoat carbonstaal Ø 38 mm.
- **Hoogte:** Diverse hoogtematen tussen 330 en 2030 mm.
- **Lengte:** Diverse lengtematen tussen 318 en 1662 mm.
- **Dieptes:** Diepte radiator: 106 mm.
Afstand vanaf de muur tot voorkant radiator: 124 mm.
Afstand vanaf de muur tot het hart van de aansluiting: 71 mm.
- **Aansluitingen:** (2x 1/2") A/R + (1x1/8") ontluchter.
- **P. Max:** 8 bar.
- **Werking:** Centrale verwarming.
- **T.Max:** 110°C.
- **Montageset:** Wandbeugel, ontluchter, zeskant sleutel, pluggen en schroeven voor montage in volle steen of holle wand en gebruikershandleiding.
- **Verpakking:** Beschermd d.m.v. recyclebaar karton, voorzien van polyethyleen folie.

- **Kleur:** Standaardkleur RAL 9010 (gepoedercoat met ecologisch epoxy poeder. (Certificaat DIN 5590-1,-2). Tevens leverbaar in alle CORDIVARI COLORS tegen een meerprijs van 30% per radiator zie pag. 378-379.
- **Garantie:** 5 jaar fabrieksgarantie.
- **SnelSelect:** Door middel van ons SnelSelect-programma kunt u ook via het internet snel, eenvoudig en foutloos selecteren. U kunt het SnelSelect-programma gebruiken via www.snelselect.nl.
- **Kranensets:** DRL DESIGN KRANEN, zie INDEX pag. 6-7.

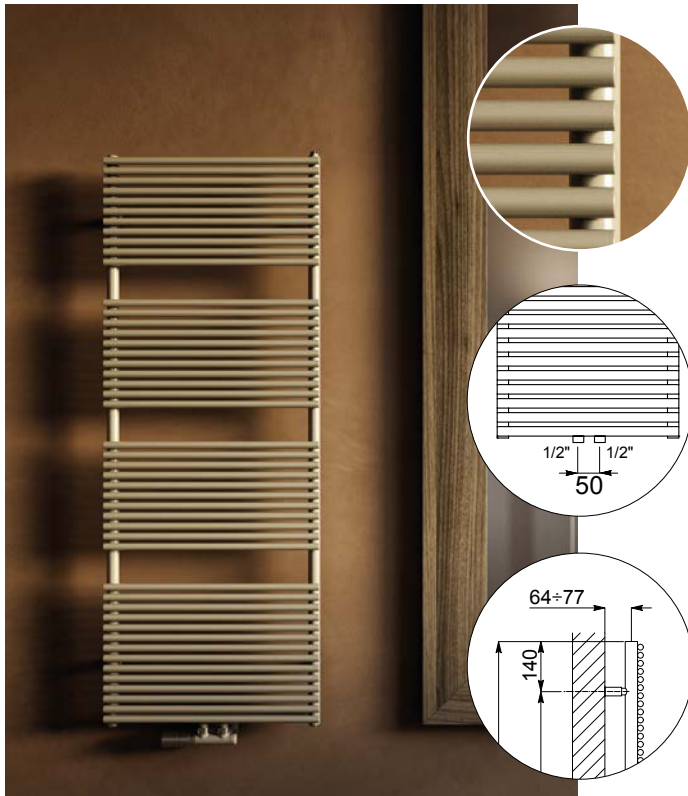


DRL CORDIVARI ARIANNA

NEO DESIGN

HOOGTE H (mm)	330	380	430	530	630	780	830	930	1030	VERTICAAL>	1830	2030	
GEWICHT per el. (kg)	0,838	0,947	1,056	1,274	1,492	1,819	1,928	2,146	2,364		4,108	4,544	
INHOUD per el. (l)	0,721	0,821	0,92	1,119	1,318	1,617	1,716	1,916	2,115		3,707	4,105	
H.O.H. I (mm) (uitsluitend V3-V4)	300	350	400	500	600	750	800	900	1000		1800	200	
LEDEN Warmteafgifte bij: Watt 75/65/20°C													
AANTAL	LENGTE	330	380	430	530	630	780	830	930	1030	VERTICAAL>	1830	2030
6	318	€ 542	€ 546	€ 547	€ 549	€ 550	€ 552	€ 556	€ 561	€ 564		€ 667	€ 723
		278	313	339	399	468	548	582	638	700		1250	1407
7	374	€ 596	€ 601	€ 602	€ 607	€ 609	€ 612	€ 617	€ 623	€ 626		€ 740	€ 808
		324	365	395	465	546	639	679	745	817		1458	1641
8	430	€ 650	€ 657	€ 658	€ 663	€ 666	€ 671	€ 679	€ 685	€ 690		€ 812	€ 892
		370	417	452	532	624	730	776	851	933		1666	1876
9	486	€ 705	€ 712	€ 713	€ 719	€ 724	€ 732	€ 739	€ 747	€ 754		€ 886	€ 977
		416	469	508	598	702	821	873	957	1050		1874	2110
10	542	€ 759	€ 768	€ 769	€ 777	€ 782	€ 791	€ 801	€ 809	€ 817		€ 958	€ 1.061
		462	521	564	664	779	912	969	1063	1166		2082	2344
11	598	€ 812	€ 824	€ 825	€ 833	€ 840	€ 850	€ 861	€ 872	€ 880		€ 1.031	€ 1.146
		509	574	621	731	857	1004	1066	1170	1283		2291	2579
12	654	€ 866	€ 879	€ 880	€ 889	€ 900	€ 909	€ 922	€ 933	€ 945		€ 1.103	€ 1.230
		555	626	677	797	935	1095	1163	1276	1400		2499	2813
13	710	€ 922	€ 934	€ 935	€ 947	€ 957	€ 970	€ 983	€ 995	€ 1.007		€ 1.176	€ 1.315
		601	678	734	864	1013	1186	1260	1382	1516		2707	3048
14	766	€ 976	€ 989	€ 991	€ 1.003	€ 1.015	€ 1.029	€ 1.044	€ 1.057	€ 1.071		€ 1.249	€ 1.399
		647	730	790	930	1091	1277	1357	1489	1633		2915	3282
15	822	€ 1.030	€ 1.046	€ 1.047	€ 1.060	€ 1.073	€ 1.087	€ 1.103	€ 1.119	€ 1.133		€ 1.322	€ 1.484
		693	782	846	996	1169	1368	1454	1595	1749		3123	3516
16	878	€ 1.084	€ 1.101	€ 1.102	€ 1.117	€ 1.131	€ 1.147	€ 1.165	€ 1.182	€ 1.198			
		740	834	903	1063	1247	1460	1551	1701	1866			
17	934	€ 1.139	€ 1.156	€ 1.157	€ 1.173	€ 1.190	€ 1.207	€ 1.225	€ 1.244	€ 1.261			
		786	886	959	1129	1325	1551	1648	1808	1983			
18	990	€ 1.193	€ 1.213	€ 1.214	€ 1.230	€ 1.248	€ 1.267	€ 1.286	€ 1.307	€ 1.324			
		832	938	1016	1196	1403	1642	1745	1914	2099			
19	1046	€ 1.246	€ 1.268	€ 1.269	€ 1.287	€ 1.307	€ 1.325	€ 1.347	€ 1.368	€ 1.389			
		878	990	1072	1262	1481	1733	1842	2020	2216			
20	1102	€ 1.300	€ 1.323	€ 1.324	€ 1.344	€ 1.364	€ 1.385	€ 1.408	€ 1.431	€ 1.452			
		924	1042	1128	1328	1558	1824	1938	2126	2332			
21	1158	€ 1.355	€ 1.379	€ 1.380	€ 1.400	€ 1.422	€ 1.445	€ 1.468	€ 1.492	€ 1.515			
		971	1095	1185	1395	1636	1916	2035	2233	2449			
22	1214	€ 1.409	€ 1.435	€ 1.436	€ 1.459	€ 1.481	€ 1.505	€ 1.530	€ 1.554	€ 1.578			
		1017	1147	1241	1461	1714	2007	2132	2339	2566			
23	1270	€ 1.463	€ 1.490	€ 1.491	€ 1.515	€ 1.538	€ 1.563	€ 1.590	€ 1.616	€ 1.642			
		1063	1199	1298	1528	1792	2098	2229	2445	2682			
24	1326	€ 1.517	€ 1.545	€ 1.546	€ 1.573	€ 1.597	€ 1.623	€ 1.651	€ 1.678	€ 1.705			
		1109	1251	1354	1594	1870	2189	2326	2552	2799			
25	1382	€ 1.573	€ 1.601	€ 1.602	€ 1.629	€ 1.655	€ 1.683	€ 1.712	€ 1.742	€ 1.769			
		1155	1303	1410	1660	1948	2280	2423	2658	2915			
26	1438	€ 1.627	€ 1.656	€ 1.658	€ 1.685	€ 1.713	€ 1.743	€ 1.773	€ 1.803	€ 1.831			
		1202	1355	1467	1727	2026	2372	2520	2764	3032			
27	1494	€ 1.679	€ 1.712	€ 1.713	€ 1.743	€ 1.771	€ 1.801	€ 1.832	€ 1.866	€ 1.896			
		1248	1407	1523	1793	2104	2463	2617	2871	3149			
28	1550	€ 1.734	€ 1.768	€ 1.769	€ 1.799	€ 1.829	€ 1.860	€ 1.895	€ 1.927	€ 1.959			
		1294	1459	1580	1860	2182	2554	2714	2977	3265			
29	1606	€ 1.788	€ 1.823	€ 1.824	€ 1.855	€ 1.888	€ 1.921	€ 1.954	€ 1.989	€ 2.022			
		1340	1511	1636	1926	2260	2645	2811	3083	3382			
30	1662	€ 1.843	€ 1.878	€ 1.880	€ 1.913	€ 1.945	€ 1.980	€ 2.015	€ 2.051	€ 2.085			
		1386	1563	1692	1992	2337	2736	2907	3189	3498			

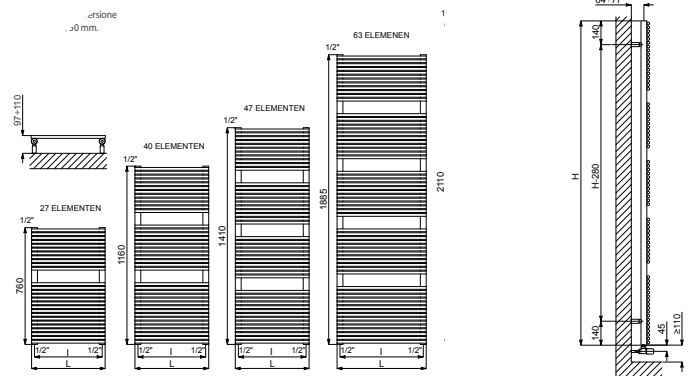




De Cordivari Lucy NeoDesign radiator is samengesteld uit verticale ronde collectoren, waar ronde horizontale verwarmingselementen (Pijp op pijp uitvoering) op zijn gelast.

Lucy is uitgevoerd in gepoedercoat carbon staal en verkrijgbaar in horizontale (Wide) en verticale uitvoering. De radiator kan worden verfraaid met diverse accessoires, zoals een breed assortiment van Design kranen.

Deze nieuwe serie heeft geleid tot een verrassende generatie handdoek-warmers en is een verfijnde uitvoering van de alom bekende handdoekradiatoren.



OMSCHRIJVING	AANTAL ELEM.	HOOGTE H(mm)	LENGTE L (mm)	H.O.H l (mm)	DRL ART.NR.	PRIJS € RAL 9010	H.O.H l (mm) COMPACT	DRL ART.NR. COMPACT	PRIJS € RAL 9010 COMPACT	DIEPTE D1 (mm)	DIEPTE D2 (mm)	DIEPTE D3 (mm)	GEWICHT (kg)	INHOUD (l)	VERMOGEN Watt/75/65/20
LUCY 760x430	27	760	430	400	303151	289	50	303171	390	48	97-110	64-77	6,7	2,9	436
LUCY 760x480	27	760	480	450	303152	299	50	303172	400	48	97-110	64-77	8,0	3,3	489
LUCY 1160x430	40	1160	430	400	303153	342	50	303173	456	48	97-110	64-77	11,0	4,6	631
LUCY 1160x480	40	1160	480	450	303154	355	50	303174	465	48	97-110	64-77	12,0	4,9	705
LUCY 1160x530	40	1160	530	500	303155	365	50	303175	465	48	97-110	64-77	13,0	5,3	779
LUCY 1160x580	40	1160	580	550	303156	383	50	303176	485	48	97-110	64-77	13,9	5,7	852
LUCY 1410x430	47	1410	430	400	303157	405	50	303177	505	48	97-110	64-77	13,0	5,4	753
LUCY 1410x480	47	1410	480	450	303158	408	50	303178	509	48	97-110	64-77	14,2	5,9	838
LUCY 1410x530	47	1410	530	500	303159	418	50	303179	518	48	97-110	64-77	15,3	6,4	923
LUCY 1410x580	47	1410	580	550	303160	437	50	303180	539	48	97-110	64-77	16,5	6,2	1008
LUCY 1885x430	63	1885	430	400	303161	480	50	303181	581	48	97-110	64-77	17,5	7,3	986
LUCY 1885x480	63	1885	480	450	303162	489	50	303182	584	48	97-110	64-77	19,1	7,9	1090
LUCY 1885x530	63	1885	530	500	303163	497	50	303183	597	48	97-110	64-77	20,5	8,5	1194
LUCY 1885x580	63	1885	580	550	303164	519	50	303184	620	48	97-110	64-77	22,2	9,1	1298

- **Materiaal:** Verticale collectoren uitgevoerd in gecoat carbonstaal met een diameter van Ø 30 mm. Horizontale verwarmingselementen in gecoat carbonstaal Ø 18 mm.
- **Hoogte:** 760, 1160, 1410 en 1885 mm.
- **Lengte:** 430, 480, 530 en 550 mm.
- **Dieptes:** Diepte radiator: 48 mm. Afstand vanaf de muur tot voorkant radiator: 97-110 mm. Afstand vanaf de muur tot het hart van de aansluiting: 64-77 mm.
- **Aansluitingen:** (2x 1/2") A/R + (1x 1/2") ontlufter.
- **P. Max:** 8 bar.
- **Werking:** Centrale verwarming
- **T. Max:** 110°C.
- **Montageset:** Wandbeugel, ontlufter, zeskant sleutel, pluggen en schroeven voor montage in volle steen of holle wand en gebruikershandleiding.
- **Verpakking:** Beschermd d.m.v. recyclebaar karton, voorzien van polyethyleen folie.

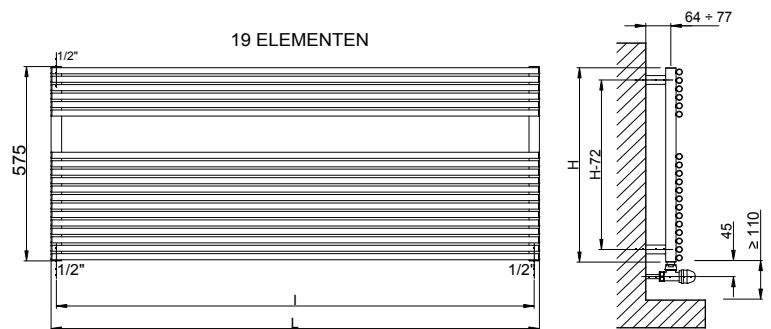
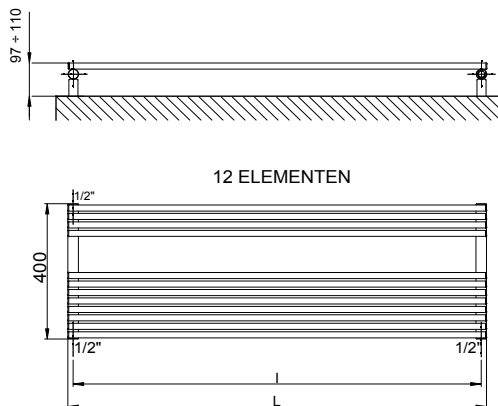
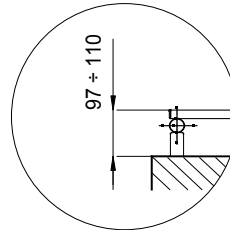
- **Kleur:** Standaardkleur RAL 9010 (gepoedercoat met ecologisch epoxy poeder. Certificaat DIN 5590-1,-2). Tevens leverbaar in alle CORDIVARI COLORS tegen een meerprijs van 30% per radiator zie pag. 378-379.
- **Garantie:** 5 jaar fabrieksgarantie.
- **SnelSelect:** Door middel van ons SnelSelect-programma kunt u ook via het internet snel, eenvoudig en foutloos selecteren. U kunt het SnelSelect-programma gebruiken via www.snelselect.nl.
- **Kranensets:** DRL DESIGN KRANEN, zie INDEX pag. 6-7.





De Cordivari Lucy Wide, horizontale NeoDesign radiator is samengesteld uit verticale ronde collectoren, waar ronde horizontale verwarmingselementen (Pijp op pijp uitvoering) op zijn gelast. Lucy is uitgevoerd in gepoedercoat carbon staal en verkrijgbaar in horizontale (Wide) en verticale uitvoering. De radiator kan worden verfraaid met diverse accessoires, zoals een breed assortiment van Design kranen.

Deze nieuwe serie heeft geleid tot een verrassende generatie handdoek-warmers en is een verfijnde uitvoering van de alom bekende handdoekradiatoren.



DRL ART.NR.	OMSCHRIJVING (mm)	SERIE	AANTAL ELEM.	HOOGTE H (MM)	LENGTE L (mm)	H.O.H I (mm)	DIEPTE D1 (mm)	DIEPTE D2 (mm)	DIEPTE D3 (mm)	GEWICHT (kg)	INHOUD (l)	VERMOGEN Watt 175/65/20	PRIJS € RAL 9010
303101	LUCY Wide 400x1200	NeoDesign	12	400	1200	1170	48	97-110	64-77	8,1	3,2	585	325
303102	LUCY Wide 400x1400	NeoDesign	12	400	1400	1370	48	97-110	64-77	9,0	3,6	701	342
303103	LUCY Wide 575x1200	NeoDesign	19	575	1200	1170	48	97-110	64-77	12,6	5,0	901	406
303104	LUCY Wide 575x1400	NeoDesign	19	575	1400	1370	48	97-110	64-77	14,2	5,7	1091	435

- **Materiaal:** Verticale collectoren uitgevoerd in gecoat carbonstaal met een diameter van \varnothing 30 mm. Horizontale verwarmingselementen in gecoat carbonstaal \varnothing 18 mm.
- **Hoogte:** 400 en 575 mm.
- **Lengte:** 1200 en 1400 mm.
- **Dieptes:** Diepte radiator: 48 mm (D1). Afstand vanaf de muur tot voorkant radiator: 97-110 mm (D2). Afstand vanaf de muur tot het hart van de aansluiting: 64-77 mm.
- **Aansluitingen:** (2x 1/2") A/R + (1x 1/2") ontluchter.
- **P. Max:** 8 bar.
- **Werking:** Centrale verwarming.
- **T. Max:** 110°C.
- **Montageset:** Wandbeugel, ontluchter, zeskant sleutel, pluggen en schroeven voor montage in volle steen of holle wand en gebruikershandleiding.
- **Verpakking:** Beschermd d.m.v. recyclebaar karton, voorzien van polyethyleen folie.

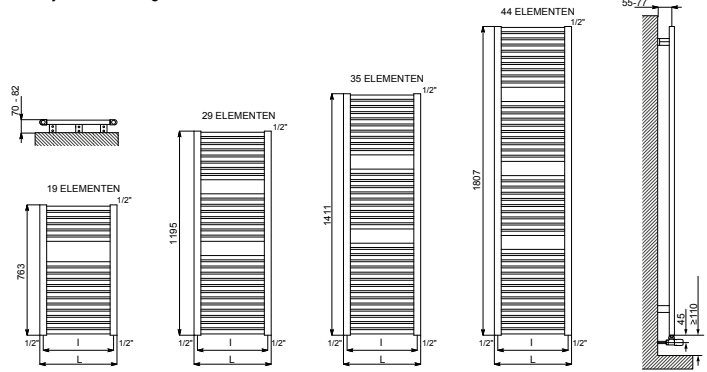
- **Kleur:** Standaardkleur RAL 9010 (gepoedercoat met ecologisch epoxy poeder. (Certificaat DIN 5590-1,-2). Tevens leverbaar in alle CORDIVARI COLORS tegen een meerprijs van 30% per radiator zie pag. 378-379.
- **Garantie:** 5 jaar fabrieksgarantie.
- **SnelSelect:** Door middel van ons SnelSelect-programma kunt u ook via het internet snel, eenvoudig en foutloos selecteren. U kunt het SnelSelect-programma gebruiken via www.snelselect.nl.
- **Kranensets:** DRL DESIGN KRANEN, zie INDEX pag. 6-7.





De Cordivari Claudia NeoDesign radiator is samengesteld uit verticale collectoren, waar ronde horizontale verwarmingselementen (Ronde buis tussen D Profielen uitvoering) op zijn gelast. Claudia is uitgevoerd in gepoedercoat carbon staal en verkrijgbaar in horizontale (Wide) en verticale uitvoering. De radiator kan worden verfraaid met diverse accessoires, zoals een breed assortiment van Design kranen.

Deze nieuwe serie heeft geleid tot een verrassende generatie handdoek-warmers en is een verfijnde uitvoering van de alom bekende badkamer radiatoren.



OMSCHRIJVING	AANTAL ELEM.	HOOGTE H(mm)	LENGTE L (mm)	H.O.H l (mm)	DRL ART.NR.	PRIJS € RAL 9010	H.O.H l (mm) COMPACT	DRL ART.NR. COMPACT	PRIJS € RAL 9010 COMPACT	Diepte D1 (mm)	Diepte D2 (mm)	Diepte D3 (mm)	GEWICHT (kg)	INHOUD (l)	VERMOGEN Watt/75/65/20
CLAUDIA 763x400	19	763	400	350	303021	202	50	303061	221	30	70-82	55-77	5,1	4,0	316
CLAUDIA 763x450	19	763	450	400	303022	206	50	303062	226	30	70-82	55-77	5,5	4,4	349
CLAUDIA 763x500	19	763	500	450	303023	213	50	303063	232	30	70-82	55-77	6,0	4,8	389
CLAUDIA 763x550	19	763	550	500	303024	219	50	303064	239	30	70-82	55-77	6,5	5,2	430
CLAUDIA 763x600	19	763	600	550	303025	228	50	303065	248	30	70-82	55-77	6,9	5,7	470
CLAUDIA 763x750	19	763	750	700	303026	272	50	303066	291	30	70-82	55-77	8,3	6,9	591
CLAUDIA 763x1000	19	763	1000	950	303027	295	50	303067	314	30	70-82	55-77	10,5	8,9	792
CLAUDIA 1195x400	29	1195	400	350	303028	285	50	303068	304	30	70-82	55-77	7,9	6,2	478
CLAUDIA 1195x450	29	1195	450	400	303029	291	50	303069	310	30	70-82	55-77	8,6	6,8	534
CLAUDIA 1195x500	29	1195	500	450	303030	298	50	303070	318	30	70-82	55-77	9,3	7,4	595
CLAUDIA 1195x550	29	1195	550	500	303031	306	50	303071	325	30	70-82	55-77	9,9	8,1	656
CLAUDIA 1195x600	29	1195	600	550	303032	318	50	303072	336	30	70-82	55-77	10,6	8,7	716
CLAUDIA 1195x750	29	1195	750	700	303033	366	50	303073	386	30	70-82	55-77	12,7	10,6	899
CLAUDIA 1195x1000	29	1195	1000	950	303034	400	50	303074	418	30	70-82	55-77	16,2	16,7	1202
CLAUDIA 1411x400	35	1411	400	350	303035	299	50	303075	319	30	70-82	55-77	9,4	7,4	583
CLAUDIA 1411x450	35	1411	450	400	303036	310	50	303076	329	30	70-82	55-77	10,2	8,2	648
CLAUDIA 1411x500	35	1411	500	450	303037	322	50	303077	342	30	70-82	55-77	11,1	8,9	719
CLAUDIA 1411x550	35	1411	550	500	303038	337	50	303078	357	30	70-82	55-77	11,9	9,7	791
CLAUDIA 1411x600	35	1411	600	550	303039	358	50	303079	377	30	70-82	55-77	12,7	10,4	862
CLAUDIA 1411x750	35	1411	750	700	303040	411	50	303080	429	30	70-82	55-77	15,8	12,7	1077
CLAUDIA 1411x1000	35	1411	1000	950	303041	457	50	303081	472	30	70-82	55-77	19,4	16,4	1434
CLAUDIA 1807x400	44	1807	400	350	303042	351	50	303082	371	30	70-82	55-77	11,9	9,3	753
CLAUDIA 1807x450	44	1807	450	400	303043	371	50	303083	389	30	70-82	55-77	13,0	10,3	821
CLAUDIA 1807x500	44	1807	500	450	303044	378	50	303084	397	30	70-82	55-77	14,0	11,3	907
CLAUDIA 1807x550	44	1807	550	500	303045	401	50	303085	419	30	70-82	55-77	15,1	12,2	992
CLAUDIA 1807x600	44	1807	600	550	303046	427	50	303086	446	30	70-82	55-77	16,1	13,2	1077
CLAUDIA 1807x750	44	1807	750	700	303047	473	50	303087	493	30	70-82	55-77	19,3	16,0	1333
CLAUDIA 1807x1000	44	1807	1000	950	303048	529	50	303088	548	30	70-82	55-77	24,5	20,7	1760

- **Materiaal:** Verticale collectoren uitgevoerd in gecoat carbonstaal (D-profiel 30x40mm) Horizontale verwarmingselementen in gecoat carbonstaal Ø 25 mm.
- **Hoogte:** 763, 1195, 1411 en 1807 mm.
- **Lengte:** 400, 450, 500, 550, 600, 750 en 1000 mm.
- **Dieptes:** Diepte radiator: 30 mm (D1). Afstand vanaf de muur tot voorkant radiator: 70-82 mm (D2). Afstand vanaf de muur tot het hart van de aansluiting: 55-77 mm (D3).
- **Aansluitingen:** (2x 1/2") A/R + (1x 1/2") ontluchter.
- **P. Max:** 8 bar.
- **Werking:** Centrale verwarming.
- **T. Max:** 110°C.
- **Montageset:** Wandbeugel, ontluchter, zeskant sleutel, pluggen en schroeven voor montage in volle steen of holle wand en gebruikershandleiding.
- **Verpakking:** Beschermd d.m.v. recyclebaar karton, voorzien van polyethyleen folie.

- **Kleur:** Standaardkleur RAL 9010 (gepoedercoat met ecologisch epoxy poeder. (Certificaat DIN 5590-1,-2). Tevens leverbaar in alle CORDIVARI COLORS tegen een meerprijs van 30% per radiator zie pag. 378-379.
- **Garantie:** 5 jaar fabrieksgarantie.
- **SnelSelect:** Door middel van ons SnelSelect-programma kunt u ook via het internet snel, eenvoudig en foutloos selecteren. U kunt het SnelSelect-programma gebruiken via www.snelselect.nl.
- **Kranensets:** DRL DESIGN KRANEN, zie INDEX pag. 6-7.



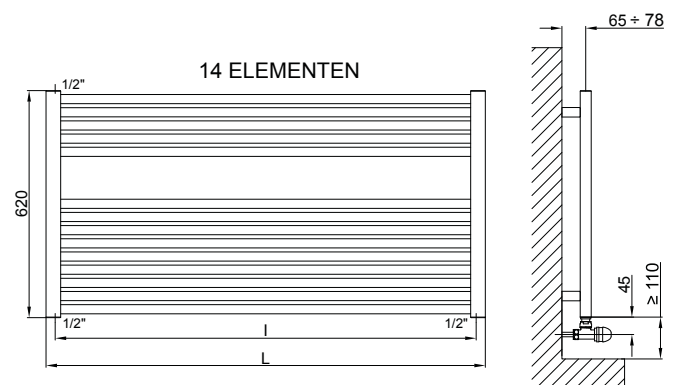
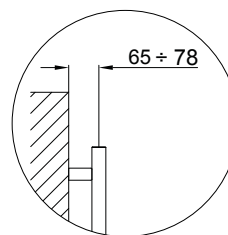
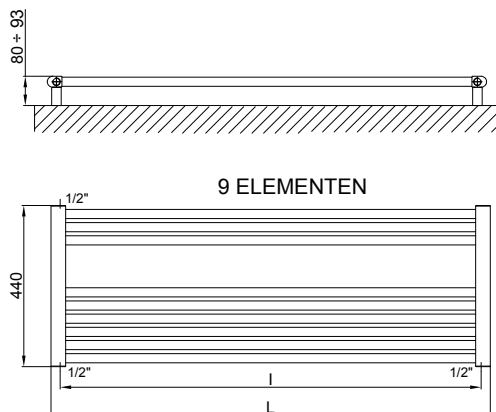
DRL CORDIVARI **CLAUDIA® WIDE**

NEO DESIGN



De Cordivari Claudia Wide, horizontale - NeoDesign radiator is samengesteld uit verticale collectoren, waar ronde horizontale verwarmingselementen (Ronde buis tussen D Profielen uitvoering) op zijn gelast. Claudia is uitgevoerd in gepoedercoat carbon staal en verkrijgbaar in horizontale (Wide) en verticale uitvoering. De radiator kan worden verfraaid met diverse accessoires, zoals een breed assortiment van Design kranen.

Deze nieuwe serie heeft geleid tot een verrassende generatie handdoek-warmers en is een verfijnde uitvoering van de alom bekende badkamer radiatoren.



DRL ART.NR.	OMSCHRIJVING	SERIE	AANTAL ELEM.	HOOGTE H (MM)	LENGTE L (mm)	H.O.H I (mm)	DIEPTE D1 (mm)	DIEPTE D2 (mm)	DIEPTE D3 (mm)	GEWICHT (kg)	INHOUD (l)	VERMOGEN Watt/ 75/65/20	PRIJS € RAL 9010
303001	CLAUDIA Wide 440x1200	NeoDesign	9	440	1200	1150	30	80-93	65-78	6,1	5,1	471	291
303002	CLAUDIA Wide 440x1400	NeoDesign	9	440	1400	1350	30	80-93	65-78	6,9	5,9	558	303
303003	CLAUDIA Wide 620x1200	NeoDesign	14	620	1200	1150	30	80-93	65-78	9,3	7,9	712	393
303004	CLAUDIA Wide 620x1400	NeoDesign	14	620	1400	1350	30	80-93	65-78	10,6	9,1	837	411

- **Materiaal:** Verticale collectoren uitgevoerd in gecoat carbonstaal (D-profiel 30x40 mm). Horizontale verwarmingselementen in gecoat carbonstaal Ø 25 mm.
- **Hoogte:** 440 en 620 mm.
- **Lengte:** 1200 en 1400 mm.
- **Dieptes:** Diepte radiator: 30 mm (D1). Afstand vanaf de muur tot voorkant radiator: 80-93 mm (D2). Afstand vanaf de muur tot het hart van de aansluiting: 65-78 mm (D3).
- **Aansluitingen:** (2x 1/2") A/R + (1x1/2") ontluchter.
- **P. Max:** 8 bar.
- **Werking:** Centrale verwarming.
- **T. Max:** 110°C.
- **Montageset:** Wandbeugel, ontluchter, zeskant sleutel, pluggen en schroeven voor montage in volle steen of holle wand en gebruikershandleiding.
- **Verpakking:** Beschermd d.m.v. recyclebaar karton, voorzien van polyethyleen folie.

- **Kleur:** Standaardkleur RAL 9010 (gepoedercoat met ecologisch epoxy poeder. (Certificaat DIN 5590-1,-2). Tevens leverbaar in alle CORDIVARI COLORS tegen een meerprijs van 30% per radiator zie pag. 378-379.
- **Garantie:** 5 jaar fabrieksgarantie.
- **SnelSelect:** Door middel van ons SnelSelect-programma kunt u ook via het internet snel, eenvoudig en foutloos selecteren. U kunt het SnelSelect-programma gebruiken via www.snelselect.nl.
- **Kranensets:** DRL DESIGN KRANEN, zie INDEX pag. 6-7.



DRL CORDIVARI **KATIA VX**

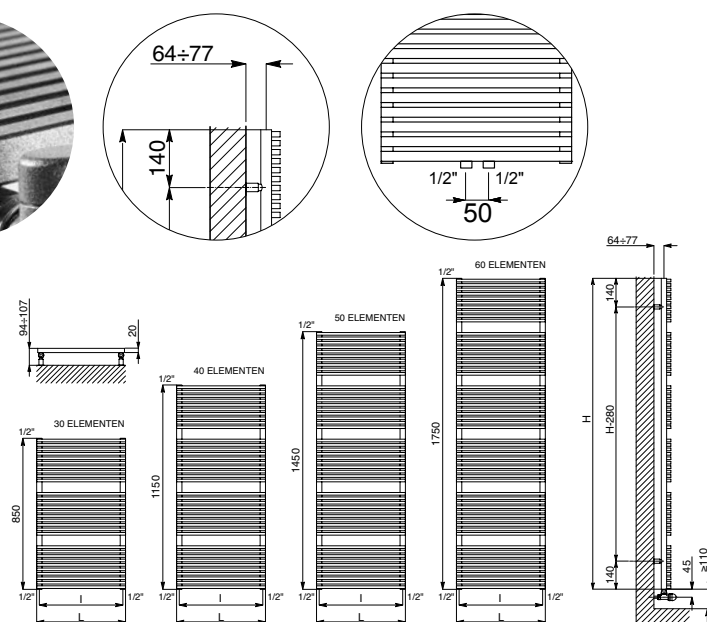
NEO DESIGN



De Cordivari Katia VX NeoDesign radiator is samengesteld uit verticale ronde collectoren, waar rechthoekige horizontale verwarmingselementen op zijn gelast. (Rechthoekige buizen gelast op de verticale collectoren uitvoering). Katia is uitgevoerd in gepoedercoat carbon staal en verkrijgbaar in horizontale (Wide) en verticale uitvoering.

De radiator kan worden verfraaid met diverse accessoires, zoals een breed assortiment van Design kranen.

Deze nieuwe serie heeft geleid tot een verrassende generatie badkamerradiatoren en is een verfijnde uitvoering van de alom bekende handdoekverwarmers.



OMSCHRIJVING	AANTAL ELEM.	HOOGTE H (mm)	LENGTE L (mm)	H.O.H l (mm)	DRL ART.NR.	PRIJS € RAL 9010	H.O.H l (mm) COMPACT	DRL ART.NR. COMPACT	PRIJS € RAL 9010 COMPACT	DIEPTE D1 (mm)	DIEPTE D2 (mm)	DIEPTE D3 (mm)	GEWICHT (kg)	INHOUD (l)	VERMOGEN Watt/ 75/65/20
KATIA VX 850x400	30	850	400	370	303221	479	50	303251	580	50	94-107	64-77	10,2	2,7	474
KATIA VX 850x500	30	850	500	470	303222	489	50	303252	590	50	94-107	64-77	12,3	3,1	571
KATIA VX 1150x400	40	1150	400	370	303223	569	50	303253	670	50	94-107	64-77	13,6	3,6	580
KATIA VX 1150x500	40	1150	500	470	303224	582	50	303254	684	50	94-107	64-77	16,4	4,2	731
KATIA VX 1150x600	40	1150	600	570	303225	616	50	303255	716	50	94-107	64-77	19,2	4,8	886
KATIA VX 1450x400	50	1450	400	370	303226	689	50	303256	791	50	94-107	64-77	17,1	4,5	723
KATIA VX 1450x500	50	1450	500	470	303227	711	50	303257	811	50	94-107	64-77	20,6	5,2	892
KATIA VX 1450x600	50	1450	600	570	303228	763	50	303258	863	50	94-107	64-77	24,1	6,0	1064
KATIA VX 1750x400	60	1750	400	370	303229	785	50	303259	886	50	94-107	64-77	20,5	5,4	861
KATIA VX 1750x500	60	1750	500	470	303230	820	50	303260	922	50	94-107	64-77	24,7	6,3	1058
KATIA VX 1750x600	60	1750	600	570	303231	834	50	303261	935	50	94-107	64-77	28,9	7,2	1259

- **Materiaal:** Verticale collectoren uitgevoerd in gecoat carbonstaal met een diameter van Ø 30 mm. Horizontale rechthoekige verwarmingselementen in gecoat carbonstaal 15x20 mm.
- **Hoogte:** 850, 1150, 1450 en 1750 mm.
- **Lengte:** 400, 500 en 600 mm.
- **Dieptes:** Diepte radiator: 50 mm (D1).
Afstand vanaf de muur tot voorkant radiator: 94-107 mm (D2).
Afstand vanaf de muur tot het hart van de aansluiting: 64-77 mm (D3).
- **Aansluitingen:** (2x 1/2") A/R + (1x1/2") ontluchter.
- **P. Max:** 8 bar.
- **Werking:** Centrale verwarming.
- **T. Max:** 110°C.
- **Montageset:** Wandbeugel, ontluchter, zeskant sleutel, pluggen en schroeven voor montage in volle steen of holle wand en gebruikershandleiding.
- **Verpakking:** Beschermd d.m.v. recyclebaar karton, voorzien van polyethyleen folie.

- **Kleur:** Standaardkleur RAL 9010 (gepoedercoat met ecologisch epoxy poeder. (Certificaat DIN 5590-1,-2). Tevens leverbaar in alle CORDIVARI COLORS tegen een meerprijs van 30% per radiator zie pag. 378-379.
- **Garantie:** 5 jaar fabrieksgarantie.
- **SnelSelect:** Door middel van ons SnelSelect-programma kunt u ook via het internet snel, eenvoudig en foutloos selecteren. U kunt het SnelSelect-programma gebruiken via www.snelselect.nl.
- **Kranensets:** DRL DESIGN KRANEN, zie INDEX pag. 6-7.

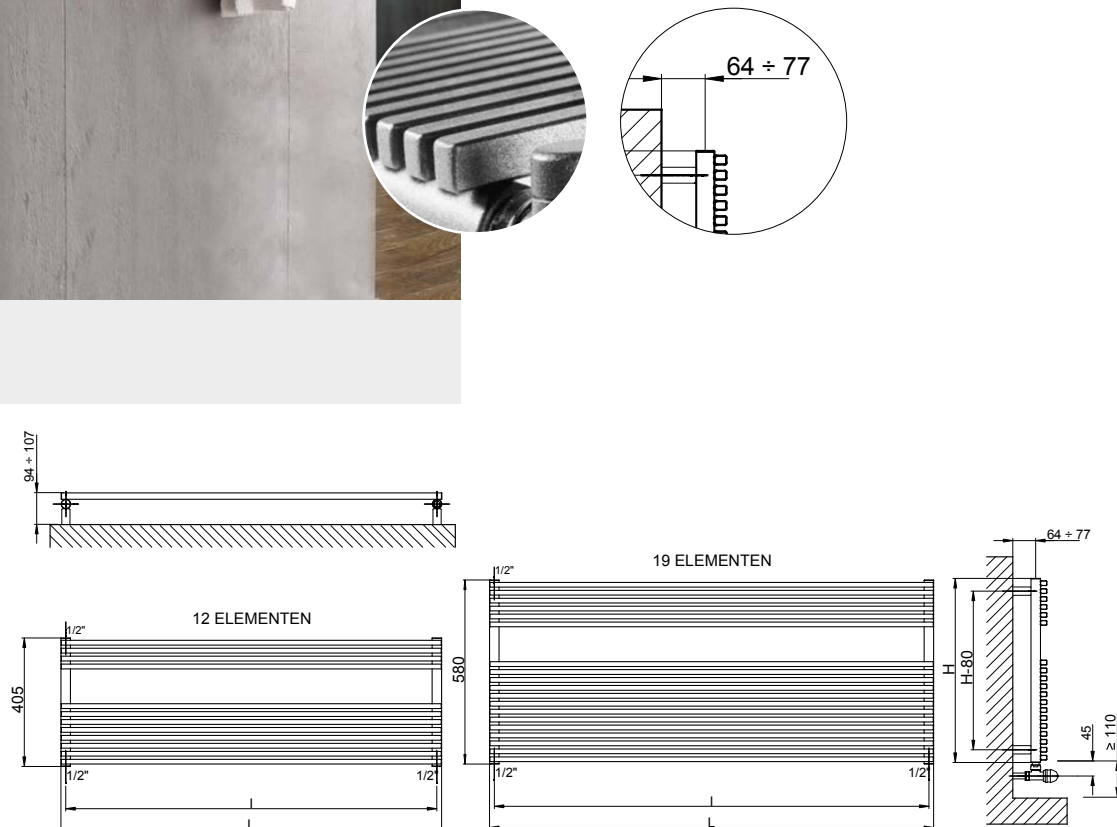




De Cordivari Katia VX WIDE, horizontale NeoDesign radiator is samengesteld uit verticale ronde collectoren, waar rechthoekige horizontale verwarmingselementen op zijn gelast. (Rechthoekige buizen gelast op de verticale collectoren uitvoering). Katia is uitgevoerd in gepoedercoat carbon staal en verkrijgbaar in horizontale (Wide) en verticale uitvoering.

De radiator kan worden verfraaid met diverse accessoires, zoals een breed assortiment van Design kranen.

Deze nieuwe serie heeft geleid tot een verrassende generatie badkamerradiatoren en is een verfijnde uitvoering van de alom bekende handdoekverwarmers.



DRL ART.NR.	OMSCHRIJVING	SERIE	AANTAL ELEM.	HOOGTE H (MM)	LENGTE L (mm)	H.O.H I (mm)	DIEPTE D1 (mm)	DIEPTE D2 (mm)	DIEPTE D3 (mm)	GEWICHT (kg)	INHOUD (l)	VERMOGEN Watt/ 75/65/20	PRIJS € RAL 9010
303201	KATIA VX Wide 405x1200	NeoDesign	12	405	1200	1170	45	94-107	64-77	10,9	3,3	621	665
303202	KATIA VX Wide 405x1400	NeoDesign	12	405	1400	1370	45	94-107	64-77	12,0	3,8	740	687
303203	KATIA VX Wide 580x1200	NeoDesign	19	580	1200	1170	45	94-107	64-77	11,3	3,6	960	835
303204	KATIA VX Wide 580x1400	NeoDesign	19	580	1400	1370	45	94-107	64-77	13,0	4,1	1122	866

- **Materiaal:** Verticale collectoren uitgevoerd in gecoat carbonstaal met een diameter van \varnothing 30 mm. Horizontale rechthoekige verwarmingselementen in gecoat carbonstaal 15x20 mm.
- **Hoogte:** 400 en 575 mm.
- **Lengte:** 1200 en 1400 mm.
- **Dieptes:** Diepte radiator: 45 mm (D1). Afstand vanaf de muur tot voorkant radiator: 94-107 mm (D2). Afstand vanaf de muur tot het hart van de aansluiting: 64-77 mm (D3).
- **Aansluitingen:** (2x 1/2") A/R + (1x1/2") ontluchter.
- **P. Max:** 8 bar.
- **Werking:** Centrale verwarming.
- **T. Max:** 110°C.
- **Montageset:** Wandbeugel, ontluchter, zeskant sleutel, pluggen en schroeven voor montage in volle steen of holle wand en gebruikershandleiding.
- **Verpakking:** Beschermd d.m.v. recyclebaar karton, voorzien van polyethyleen folie.

- **Kleur:** Standaardkleur RAL 9010 (gepoedercoat met ecologisch epoxy poeder. (Certificaat DIN 5590-1,-2). Tevens leverbaar in alle CORDIVARI COLORS tegen een meerprijs van 30% per radiator zie pag. 378-379.
- **Garantie:** 5 jaar fabrieksgarantie.
- **SnelSelect:** Door middel van ons SnelSelect-programma kunt u ook via het internet snel, eenvoudig en foutloos selecteren. U kunt het SnelSelect-programma gebruiken via www.snelselect.nl.
- **Kranensets:** DRL DESIGN KRANEN, zie INDEX pag. 6-7.





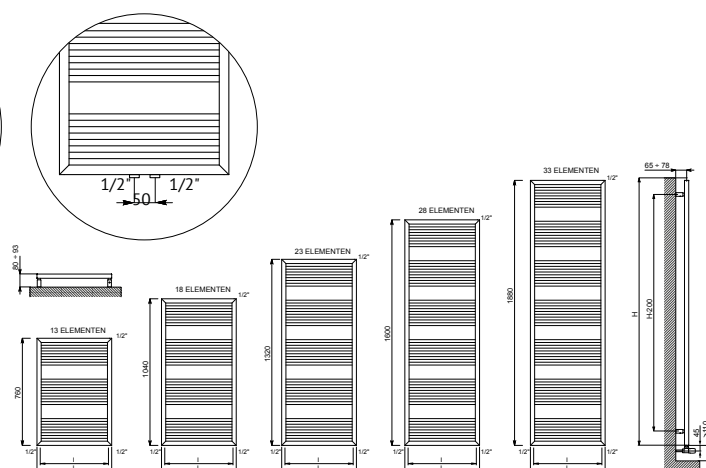


De Cordivari Naïke NeoDesign radiator is samengesteld uit een rechthoekige Frame collector waar rechthoekige horizontale verwarmingselementen op zijn gelast.

Naïke is uitgevoerd in gepoedercoat carbon staal en verkrijgbaar in verticale uitvoering.

De radiator kan worden verfraaid met diverse accessoires, zoals een breed assortiment van Design kranen.

De praktische open vlakken in deze Cordivari Naïke Neo design radiator, bieden plaats om meerdere handdoeken te positioneren.



OMSCHRIJVING	AANTAL ELEM.	HOOGTE H (mm)	LENGTE L (mm)	H.O.H l (mm)	DRL ART.NR.	PRIJS € RAL 9010	H.O.H l (mm) COMPACT	DRL ART.NR. COMPACT	PRIJS € RAL 9010 COMPACT	DIEPTE D1 (mm)	DIEPTE D2 (mm)	DIEPTE D3 (mm)	GEWICHT (kg)	INHOUD (l)	VERMOGEN Watt/75/65/20
NAIKE 760x480	13	760	480	450	303721	335	50	303751	379	20	80-93	65-78	7,0	2,9	350
NAIKE 760x530	13	760	530	500	303722	342	50	303752	386	20	80-93	65-78	7,6	3,1	381
NAIKE 760x580	13	760	580	550	303723	375	50	303753	419	20	80-93	65-78	8,2	3,4	412
NAIKE 1040x480	18	1040	480	450	303724	390	50	303754	435	20	80-93	65-78	9,2	3,8	459
NAIKE 1040x530	18	1040	530	500	303725	405	50	303755	450	20	80-93	65-78	10,0	4,0	499
NAIKE 1040x580	18	1040	580	550	303726	421	50	303756	465	20	80-93	65-78	10,8	4,3	538
NAIKE 1320x480	23	1320	480	450	303727	450	50	303757	494	20	80-93	65-78	11,4	4,6	568
NAIKE 1320x530	23	1320	530	500	303728	464	50	303758	508	20	80-93	65-78	12,4	4,9	617
NAIKE 1320x580	23	1320	580	550	303729	517	50	303759	561	20	80-93	65-78	13,3	5,2	667
NAIKE 1600x480	28	1600	480	450	303730	590	50	303760	635	20	80-93	65-78	13,7	5,5	679
NAIKE 1600x530	28	1600	530	500	303731	608	50	303761	651	20	80-93	65-78	14,8	5,8	739
NAIKE 1600x580	28	1600	580	550	303732	665	50	303762	709	20	80-93	65-78	15,9	6,2	799
NAIKE 1880x480	33	1880	480	450	303733	627	50	303763	671	20	80-93	65-78	15,9	6,3	793
NAIKE 1880x530	33	1880	530	500	303734	653	50	303764	696	20	80-93	65-78	17,2	6,7	864
NAIKE 1880x580	33	1880	580	550	303735	705	50	303765	749	20	80-93	65-78	18,5	7,1	936

- **Materiaal:** Frame collector uitgevoerd in gecoat carbonstaal 30x30 mm. Horizontale verwarmingselementen in gecoat carbonstaal 15x20 mm.
- **Hoogte:** 760, 1040, 1320, 1600 en 1880 mm.
- **Lengte:** 480, 530 en 580 mm.
- **Dieptes:** Diepte radiator: 20 mm (D1). Afstand vanaf de muur tot voorkant radiator: 80-93 mm (D2). Afstand vanaf de muur tot het hart van de aansluiting: 65-78 mm (D3).
- **Aansluitingen:** (2x 1/2") A/R + (1x1/2") ontluchter. Onderzijde (2x 1/2") A/R midden-onder h.o.h. 50 mm
- **P. Max:** 8 bar.
- **Werking:** Centrale verwarming.
- **T. Max:** 110°C.
- **Montageset:** Wandbeugel, ontluchter, zeskant sleutel, pluggen en schroeven voor montage in volle steen of holle wand en gebruikershandleiding.
- **Verpakking:** Beschermd d.m.v. recyclebaar karton, voorzien van polyethyleen folie.

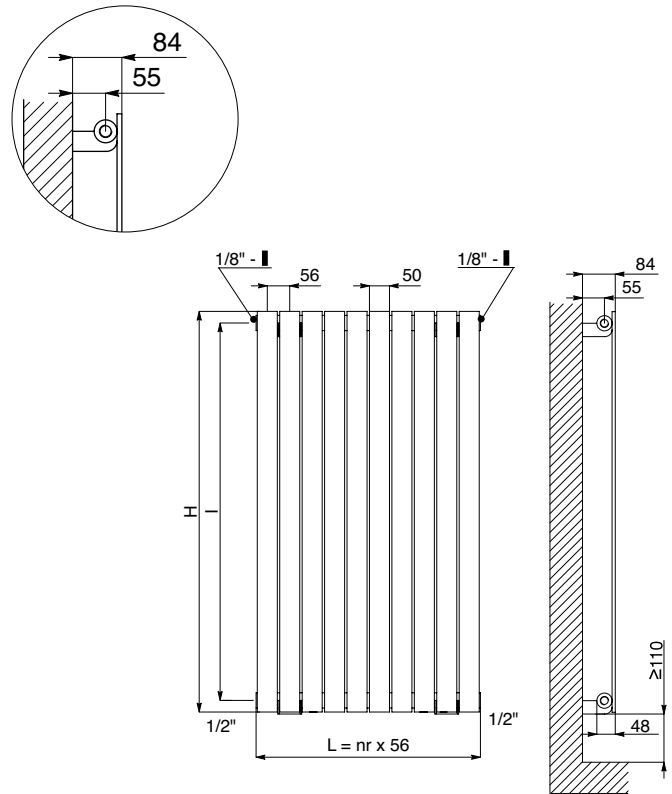
- **Kleur:** Standaardkleur RAL 9010 (gepoedercoat met ecologisch epoxy poeder. (Certificaat DIN 5590-1,-2). Tevens leverbaar in alle CORDIVARI COLORS tegen een meerprijs van 30% per radiator zie pag. 378-379.
- **Garantie:** 5 jaar fabrieksgarantie.
- **SnelSelect:** Door middel van ons SnelSelect-programma kunt u ook via het internet snel, eenvoudig en foutloos selecteren. U kunt het SnelSelect-programma gebruiken via www.snelselect.nl.
- **Kranensets:** DRL DESIGN KRANEN, zie INDEX pag. 6-7.



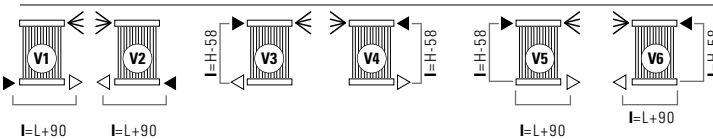


De Cordivari Rosy Vertical - NeoDesign radiator is samengesteld uit horizontale ronde collectoren, waar rechthoekige verticale verwarmingselementen op zijn gelast. Rosy is uitgevoerd in gepoedercoat carbon staal en verkrijgbaar in horizontale en verticale uitvoering. De radiator kan worden verfraaid met diverse accessoires, zoals een breed assortiment van Design kranen.

Rosy is een stijlvolle radiator en met neo klassiek design en past in iedere leefruimte. Dankzij de vorm en de positionering van de verwarmingselementen ontstaat een zeer hoge warmteafgifte.



STANDAARDAANSLUITINGEN V

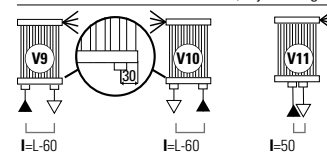


Bij bestelling dient u altijd de gewenste standaard aansluiting op te geven: (van V1 tot V6).

LEGENDA

► Aanvoer ◄ Retour ◀ Ontluchter H Hoogte I Op het hart L Lengte □ Aansluiting | Blindstop

SPECIALE AANSLUITINGEN V (Prijstoeslag € 62,-)



Bij bestelling dient u altijd de gewenste aansluiting op te geven: (van V9, V10, V11).

- **Materiaal:** Horizontale collectoren uitgevoerd in gecoat carbonstaal met een diameter van Ø 38 mm. Enkele rij rechthoekige verticale verwarmingselementen in gecoat carbonstaal 50x10 mm.
- **Hoogte:** Diverse hoogtematen tussen 600 en 2500 mm.
- **Lengte:** Diverse lengtematen tussen 224 en 1792 mm.
- **Dieptes:** Diepte radiator: 48 mm. Afstand vanaf de muur tot voorkant radiator: 84 mm. Afstand vanaf de muur tot het hart van de aansluiting: 55 mm.
- **Aansluitingen:** (2x 1/2") A/R + (1x1/8") ontluchter.
- **P. Max:** 5 bar.
- **Werking:** Centrale verwarming.
- **T. Max:** 110°C.
- **Montageset:** Wandbeugel, ontluchter, zeskant sleutel, pluggen en schroeven voor montage in volle steen of holle wand en gebruikershandleiding.
- **Verpakking:** Beschermd d.m.v. recyclebaar karton, voorzien van polyethyleen folie.

- **Kleur:** Standaardkleur RAL 9010 (gepoedercoat met ecologisch epoxy poeder. (Certificaat DIN 5590-1,-2). Tevens leverbaar in alle CORDIVARI COLORS tegen een meerprijs van 30% per radiator zie pag. 378-379.
- **Garantie:** 5 jaar fabrieksgarantie.
- **SnelSelect:** Door middel van ons SnelSelect-programma kunt u ook via het internet snel, eenvoudig en foutloos selecteren. U kunt het SnelSelect-programma gebruiken via www.snelselect.nl.
- **Kranensets:** DRL DESIGN KRANEN, zie INDEX pag. 6-7.



DRL CORDIVARI ROSY VERTICAL

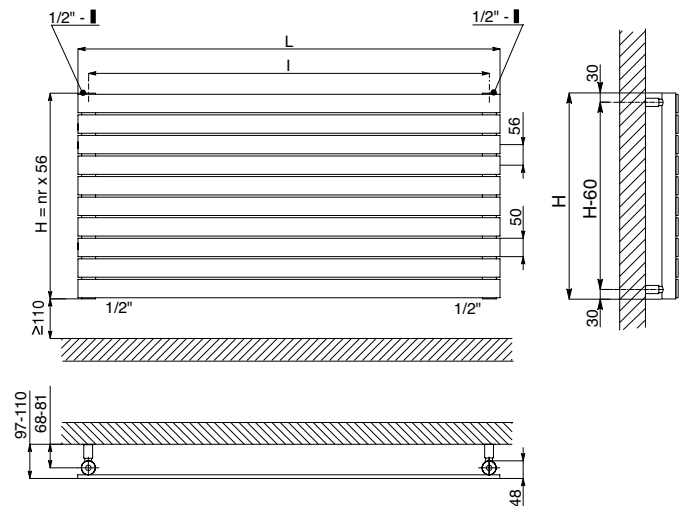
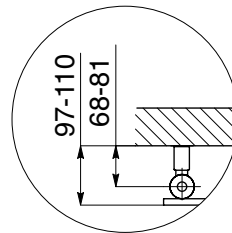
NEO DESIGN

HOOGTE H (mm)	600	800	1000	1200	1400	1600	1800	1900	2000	2200	2300	2500	
GEWICHT per el. (kg)	0,774	0,991	1,208	1,425	1,643	1,86	2,077	2,186	2,294	2,512	2,62	2,837	
INHOUD per el. (l)	0,329	0,401	0,473	0,546	0,618	0,69	0,763	0,799	0,835	0,907	0,944	1,016	
LEDEN Warmteafgifte bij: Watt 75/65/20°C													
LENGTE L	AANTAL	600	800	1000	1200	1400	1600	1800	1900	2000	2200	2300	2500
224	4	€ 181 164	€ 183 215	€ 184 265	€ 199 314	€ 222 362	€ 225 408	€ 227 456	€ 233 480	€ 253 504	€ 299 544	€ 305 568	€ 316 612
280	5	€ 206 206	€ 210 269	€ 212 332	€ 229 393	€ 252 453	€ 258 510	€ 263 570	€ 270 600	€ 291 630	€ 341 680	€ 349 710	€ 363 765
336	6	€ 232 247	€ 236 323	€ 240 398	€ 258 472	€ 283 544	€ 290 612	€ 298 684	€ 305 720	€ 329 756	€ 382 816	€ 391 852	€ 409 918
392	7	€ 257 288	€ 263 377	€ 268 464	€ 287 550	€ 313 634	€ 324 714	€ 333 798	€ 342 840	€ 367 882	€ 424 952	€ 434 994	€ 456 1071
448	8	€ 282 329	€ 289 430	€ 296 530	€ 316 629	€ 343 725	€ 356 816	€ 368 912	€ 379 960	€ 405 1008	€ 465 1088	€ 477 1136	€ 502 1224
504	9	€ 306 370	€ 316 484	€ 324 597	€ 344 707	€ 373 815	€ 389 918	€ 404 1026	€ 416 1080	€ 443 1134	€ 506 1224	€ 519 1278	€ 549 1377
560	10	€ 332 411	€ 342 538	€ 351 663	€ 373 786	€ 404 906	€ 421 1020	€ 439 1140	€ 451 1200	€ 480 1260	€ 549 1360	€ 563 1420	€ 595 1530
616	11	€ 357 452	€ 368 592	€ 379 729	€ 403 865	€ 434 997	€ 454 1122	€ 474 1254	€ 488 1320	€ 518 1386	€ 590 1496	€ 605 1562	€ 642 1683
672	12	€ 382 493	€ 395 646	€ 406 796	€ 432 943	€ 464 1087	€ 487 1224	€ 510 1368	€ 525 1440	€ 556 1512	€ 632 1632	€ 648 1704	€ 688 1836
728	13	€ 408 534	€ 421 699	€ 434 862	€ 460 1022	€ 495 1178	€ 519 1326	€ 544 1482	€ 562 1560	€ 594 1638	€ 673 1768	€ 690 1846	€ 735 1989
784	14	€ 433 575	€ 448 753	€ 462 928	€ 489 1100	€ 525 1268	€ 552 1428	€ 580 1596	€ 597 1680	€ 632 1764	€ 715 1904	€ 733 1988	€ 781 2142
840	15	€ 458 617	€ 474 807	€ 489 995	€ 518 1179	€ 555 1359	€ 585 1530	€ 616 1710	€ 634 1800	€ 670 1890	€ 756 2040	€ 777 2130	€ 828 2295
896	16	€ 483 658	€ 501 861	€ 517 1061	€ 547 1258	€ 585 1450	€ 618 1632	€ 650 1824	€ 671 1920	€ 707 2016	€ 797 2176	€ 819 2272	€ 874 2448
952	17	€ 509 699	€ 527 915	€ 544 1127	€ 577 1336	€ 616 1540	€ 650 1734	€ 686 1938	€ 707 2040	€ 745 2142	€ 839 2312	€ 862 2414	€ 922 2601
1008	18	€ 533 740	€ 554 968	€ 572 1193	€ 605 1415	€ 646 1631	€ 684 1836	€ 720 2052	€ 743 2160	€ 782 2268	€ 880 2448	€ 904 2556	€ 968 2754
1064	19	€ 558 781	€ 580 1022	€ 600 1260	€ 634 1493	€ 676 1721	€ 716 1938	€ 756 2166	€ 780 2280	€ 820 2394	€ 923 2584	€ 947 2698	€ 1.014 2907
1120	20	€ 584 822	€ 607 1076	€ 628 1326	€ 663 1572	€ 705 1812	€ 749 2040	€ 792 2280	€ 817 2400	€ 858 2520	€ 964 2720	€ 991 2840	€ 1.061 3060
1176	21	€ 609 863	€ 633 1130	€ 656 1392	€ 692 1651	€ 736 1903	€ 781 2142	€ 826 2394	€ 853 2520	€ 896 2646	€ 1.006 2856	€ 1.033 2982	€ 1.107 3213
1232	22	€ 634 904	€ 659 1184	€ 684 1459	€ 720 1729	€ 766 1993	€ 814 2244	€ 862 2508	€ 889 2640	€ 933 2772	€ 1.047 2992	€ 1.076 3124	€ 1.154 3366
1288	23	€ 659 945	€ 686 1237	€ 711 1525	€ 750 1808	€ 796 2084	€ 847 2346	€ 897 2622	€ 926 2760	€ 971 2898	€ 1.088 3128	€ 1.118 3266	€ 1.200 3519
1344	24	€ 685 986	€ 712 1291	€ 739 1591	€ 779 1886	€ 826 2174	€ 879 2448	€ 932 2736	€ 963 2880	€ 1.009 3024	€ 1.130 3264	€ 1.162 3408	€ 1.247 3672
1400	25	€ 710 1028	€ 739 1345	€ 766 1658	€ 808 1965	€ 857 2265	€ 912 2550	€ 968 2850	€ 999 3000	€ 1.047 3150	€ 1.171 3400	€ 1.205 3550	€ 1.293 3825
1456	26	€ 735 1069	€ 765 1399	€ 794 1724	€ 837 2044	€ 887 2356	€ 945 2652	€ 1.003 2964	€ 1.035 3120	€ 1.085 3276	€ 1.213 3536	€ 1.247 3692	€ 1.340 3978
1512	27	€ 759 1110	€ 792 1453	€ 822 1790	€ 865 2122	€ 917 2446	€ 978 2754	€ 1.038 3078	€ 1.072 3240	€ 1.123 3402	€ 1.255 3672	€ 1.290 3834	€ 1.386 4131
1568	28	€ 785 1151	€ 818 1506	€ 849 1856	€ 895 2201	€ 947 2537	€ 1.010 2856	€ 1.073 3192	€ 1.109 3360	€ 1.160 3528	€ 1.297 3808	€ 1.332 3976	€ 1.433 4284
1624	29	€ 810 1192	€ 845 1560	€ 877 1923	€ 924 2279	€ 978 2627	€ 1.044 2958	€ 1.109 3306	€ 1.145 3480	€ 1.198 3654	€ 1.338 3944	€ 1.376 4118	€ 1.479 4437
1680	30	€ 835 1233	€ 871 1614	€ 904 1989	€ 953 2358	€ 1.008 2718	€ 1.076 3060	€ 1.144 3420	€ 1.182 3600	€ 1.236 3780	€ 1.379 4080	€ 1.418 4260	€ 1.527 4590
1736	31	€ 861 1274	€ 897 1668	€ 932 2055	€ 981 2437	€ 1.038 2809	€ 1.109 3162	€ 1.179 3534	€ 1.218 3720	€ 1.274 3906	€ 1.421 4216	€ 1.461 4402	€ 1.573 4743
1792	32	€ 886 1315	€ 924 1722	€ 960 2122	€ 1.010 2515	€ 1.069 2899	€ 1.141 3264	€ 1.215 3648	€ 1.255 3840	€ 1.311 4032	€ 1.462 4352	€ 1.504 4544	€ 1.620 4896

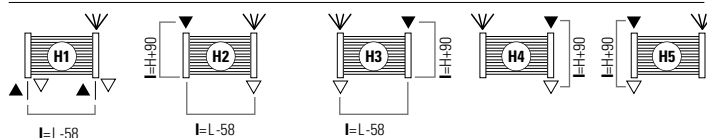


De Cordivari Rosy Horizontal - NeoDesign radiator is samengesteld uit verticale collectoren, waar horizontale verticale verwarmingselementen op zijn gelast. Rosy is uitgevoerd in gepoedercoat carbon staal en verkrijgbaar in horizontale en verticale uitvoering. De radiator kan worden verfraaid met diverse accessoires, zoals een breed assortiment van Design kranen.

Rosy is een stijlvolle radiator en met neo klassiek design en past in iedere leefruimte. Dankzij de vorm en de positionering van de verwarmingselementen ontstaat een zeer hoge warmteafgifte.



STANDAARDAANSLUITINGEN H



Bij bestelling dient u altijd de gewenste standaard aansluiting op te geven (van H1 tot H5)

LEGENDA

▶ Aanvoer ◀ Retour ◀ Ontluchter H Hoogte I Op het hart L Lengte □ Aansluiting | Blindstop

SPECIALE AANSLUITINGEN H



Bij bestelling dient u altijd de gewenste aansluiting op te geven (van H6 tot H7)

- Materiaal:** Verticale collectoren uitgevoerd in gecoat carbonstaal met een diameter van \varnothing 38 mm. Enkele rij rechthoekige horizontale verwarmingselementen in gecoat carbonstaal 50x10 mm
- Hoogte:** Diverse hoogtematen tussen 224 en 1792 mm.
- Lengte:** Diverse lengtematen tussen 500 en 2000 mm.
- Dieptes:** Diepte radiator: 48 mm. Afstand vanaf de muur tot voorkant radiator: 97-110 mm. Afstand vanaf de muur tot het hart van de aansluiting: 68-81 mm.
- Aansluitingen:** (2x 1/2") A/R + (1x 1/2") ontluchter.
- P. Max:** 5 bar.
- Werking:** Centrale verwarming.
- T. Max:** 110°C.
- Montageset:** Wandbeugel, ontluchter, zeskant sleutel, pluggen en schroeven voor montage in volle steen of holle wand en gebruikershandleiding.
- Verpakking:** Beschermd d.m.v. recyclebaar karton, voorzien van polyethyleen folie.

- Kleur:** Standaardkleur RAL 9010 (gepoedercoat met ecologisch epoxy poeder. (Certificaat DIN 5590-1,-2). Tevens leverbaar in alle CORDIVARI COLORS tegen een meerprijs van 30% per radiator zie pag. 378-379.
- Garantie:** 5 jaar fabrieksgarantie.
- SnelSelect:** Door middel van ons SnelSelect-programma kunt u ook via het internet snel, eenvoudig en foutloos selecteren. U kunt het SnelSelect-programma gebruiken via www.snelselect.nl.
- Kranensets:** DRL DESIGN KRANEN, zie INDEX pag. 6-7.



DRL CORDIVARI ROSY HORIZONTAL

NEO DESIGN

LENGTE L (mm)		500	600	800	1000	1200	1400	1500	1600	1700	1800	1900	2000
GEWICHT per el. (kg)		0,67	0,77	0,99	1,21	1,43	1,64	1,75	1,86	2,08	2,08	2,19	2,29
INHOUD per el. (l)		0,29	0,38	0,4	0,47	0,55	0,62	0,65	0,69	0,76	0,76	0,8	0,84
LEDEN		Warmteafgifte bij: Watt 75/65/20°C											
AANTAL	HOOGTE H	500	600	800	1000	1200	1400	1500	1600	1700	1800	1900	2000
4	224	€ 180	€ 181	€ 183	€ 184	€ 199	€ 222	€ 224	€ 225	€ 226	€ 227	€ 233	€ 253
		140	168	224	280	336	392	420	448	476	504	532	560
5	280	€ 204	€ 206	€ 210	€ 212	€ 229	€ 252	€ 256	€ 258	€ 260	€ 263	€ 270	€ 291
		172	206	275	344	413	482	516	550	585	619	654	688
6	336	€ 227	€ 232	€ 236	€ 240	€ 258	€ 283	€ 287	€ 290	€ 294	€ 298	€ 305	€ 329
		203	244	325	406	487	568	609	650	690	731	771	812
7	392	€ 251	€ 257	€ 263	€ 268	€ 287	€ 313	€ 318	€ 324	€ 328	€ 333	€ 342	€ 367
		234	280	374	467	560	654	701	747	794	841	887	934
8	448	€ 275	€ 282	€ 289	€ 296	€ 316	€ 343	€ 350	€ 356	€ 363	€ 368	€ 379	€ 405
		264	317	422	528	634	739	792	845	898	950	1003	1056
9	504	€ 299	€ 306	€ 316	€ 324	€ 344	€ 373	€ 381	€ 389	€ 396	€ 404	€ 416	€ 443
		294	353	470	588	706	823	882	941	1000	1058	1117	1176
10	560	€ 324	€ 332	€ 342	€ 351	€ 373	€ 404	€ 412	€ 421	€ 431	€ 439	€ 451	€ 480
		324	388	518	647	776	906	971	1035	1100	1165	1229	1294
11	616	€ 347	€ 357	€ 368	€ 379	€ 403	€ 434	€ 444	€ 454	€ 464	€ 474	€ 488	€ 518
		353	424	565	706	847	988	1059	1130	1200	1271	1341	1412
12	672	€ 371	€ 382	€ 395	€ 406	€ 432	€ 464	€ 475	€ 487	€ 498	€ 510	€ 525	€ 556
		383	459	612	765	918	1071	1148	1224	1301	1377	1454	1530
13	728	€ 395	€ 408	€ 421	€ 434	€ 460	€ 495	€ 506	€ 519	€ 532	€ 544	€ 562	€ 594
		412	494	658	823	988	1152	1235	1317	1399	1481	1564	1646
14	784	€ 419	€ 433	€ 448	€ 462	€ 489	€ 525	€ 539	€ 552	€ 566	€ 580	€ 597	€ 632
		441	549	705	881	1057	1233	1322	1410	1498	1586	1674	1762
15	840	€ 443	€ 458	€ 474	€ 489	€ 518	€ 555	€ 570	€ 585	€ 600	€ 616	€ 634	€ 670
		470	563	751	939	1127	1315	1409	1502	1596	1690	1784	1878
16	896	€ 466	€ 483	€ 501	€ 517	€ 547	€ 585	€ 602	€ 618	€ 634	€ 650	€ 671	€ 707
		499	598	798	997	1196	1396	1496	1595	1695	1795	1894	1994
17	952	€ 490	€ 509	€ 527	€ 544	€ 577	€ 616	€ 633	€ 650	€ 669	€ 686	€ 707	€ 745
		527	632	843	1054	1265	1476	1581	1686	1792	1897	2003	2108
18	1008	€ 515	€ 533	€ 554	€ 572	€ 605	€ 646	€ 664	€ 684	€ 702	€ 720	€ 743	€ 782
		556	667	889	1111	1333	1555	1667	1778	1889	2000	2111	2222
19	1064	€ 539	€ 558	€ 580	€ 600	€ 634	€ 676	€ 696	€ 716	€ 736	€ 756	€ 780	€ 820
		584	701	934	1168	1402	1635	1752	1869	1986	2102	2219	2336
20	1120	€ 563	€ 584	€ 607	€ 628	€ 663	€ 705	€ 727	€ 749	€ 770	€ 792	€ 817	€ 858
		613	735	980	1225	1470	1715	1838	1960	2083	2205	2328	2450
21	1176	€ 586	€ 609	€ 633	€ 656	€ 692	€ 736	€ 758	€ 781	€ 804	€ 826	€ 853	€ 896
		641	769	1026	1282	1538	1795	1932	2051	2179	2308	2436	2564
22	1232	€ 610	€ 634	€ 659	€ 684	€ 720	€ 766	€ 791	€ 814	€ 838	€ 862	€ 889	€ 933
		670	803	1071	1339	1607	1875	2009	2142	2276	2410	2544	2678
23	1288	€ 634	€ 659	€ 686	€ 711	€ 750	€ 796	€ 822	€ 847	€ 872	€ 897	€ 926	€ 971
		698	837	1116	1395	1674	1953	2093	2232	2372	2511	2651	2790
24	1344	€ 658	€ 685	€ 712	€ 739	€ 779	€ 826	€ 853	€ 879	€ 906	€ 932	€ 963	€ 1.009
		726	871	1162	1452	1742	2033	2178	2323	2468	2614	2759	2904
25	1400	€ 682	€ 710	€ 739	€ 766	€ 808	€ 857	€ 885	€ 912	€ 940	€ 968	€ 999	€ 1.047
		754	905	1206	1508	1810	2111	2262	2413	2564	2714	2865	3016
26	1456	€ 705	€ 735	€ 765	€ 794	€ 837	€ 887	€ 916	€ 945	€ 973	€ 1.003	€ 1.035	€ 1.085
		782	938	1251	1564	1877	2190	2346	2502	2659	2815	2972	3128
27	1512	€ 730	€ 759	€ 792	€ 822	€ 865	€ 917	€ 947	€ 978	€ 1.008	€ 1.038	€ 1.072	€ 1.123
		810	972	1296	1620	1944	2268	2430	2592	2754	2916	3078	3240
28	1568	€ 754	€ 785	€ 818	€ 849	€ 895	€ 947	€ 979	€ 1.010	€ 1.042	€ 1.073	€ 1.109	€ 1.160
		838	1006	1341	1676	2011	2346	2514	2682	2849	3017	3184	3352
29	1624	€ 778	€ 810	€ 845	€ 877	€ 924	€ 978	€ 906	€ 1.044	€ 1.076	€ 1.109	€ 1.145	€ 1.198
		866	1039	1386	1732	2078	2425	2598	2771	2944	3118	3291	3463
30	1680	€ 802	€ 835	€ 871	€ 904	€ 953	€ 1.008	€ 1.042	€ 1.076	€ 1.110	€ 1.144	€ 1.182	€ 1.236
		894	1073	1420	1788	2146	2503	2682	2861	3040	3218	3397	3576
31	1736	€ 825	€ 861	€ 897	€ 932	€ 981	€ 1.038	€ 1.073	€ 1.109	€ 1.144	€ 1.179	€ 1.218	€ 1.274
		922	1106	1475	1844	2213	2585	2766	2950	3135	3319	3504	3688
32	1792	€ 849	€ 886	€ 924	€ 960	€ 1.010	€ 1.069	€ 1.104	€ 1.141	€ 1.178	€ 1.215	€ 1.255	€ 1.311
		950	1140	1520	1900	2280	2660	2850	3040	3230	3420	3610	3800

CORDIVARI® Distributed by RL Products

Prijswijzigingen en drukfouten onder voorbehoud



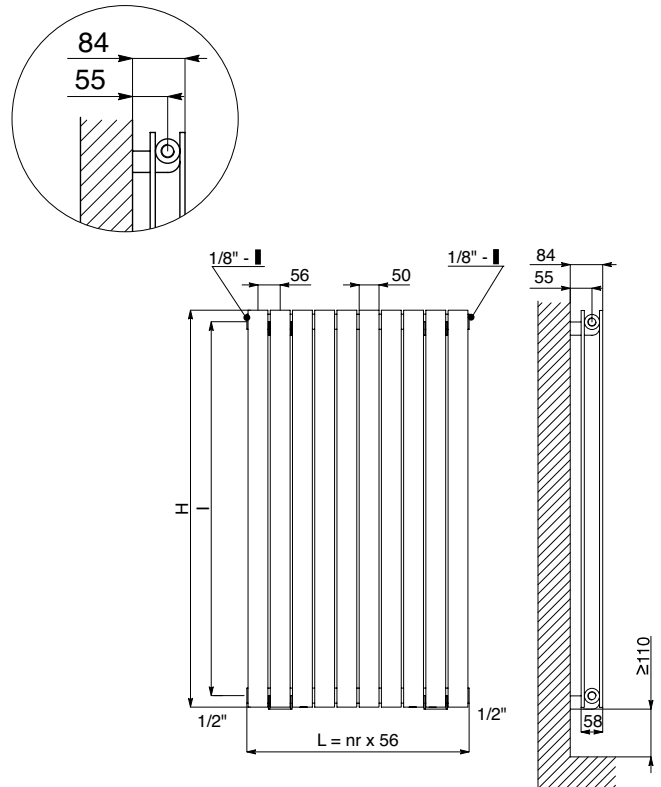
DRL CORDIVARI ROSY TANDEM VERTICAL

NEO DESIGN

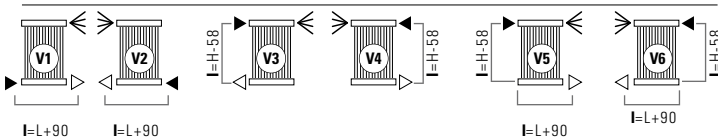


De Cordivari Rosy Tandem Vertical - NeoDesign radiator is een variatie op de Rosy radiator en is samengesteld uit horizontale ronde collectoren, waar een dubbele rij rechthoekige verticale verwarmingselementen op zijn gelast. Rosy is uitgevoerd in gepoedercoat carbon staal en verkrijgbaar in horizontale en verticale uitvoering. De radiator kan worden verfraaid met diverse accessoires, zoals een breed assortiment van Design kranen.

Rosy is een stijlvolle radiator en met neo klassiek design en past in iedere leefruimte. Dankzij de vorm en de positionering van de verwarmingselementen ontstaat een zeer hoge warmteafgifte.



STANDAARDAANSLUITINGEN V

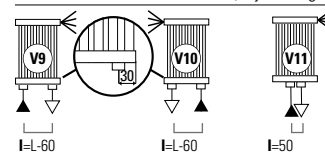


Bij bestelling dient u altijd de gewenste standaard aansluiting op te geven: (van V1 tot V6).

LEGENDA

► Aanvoer ◄ Retour ◀ Ontluchter H Hoogte I Op het hart L Lengte □ Aansluiting | Blindstop

SPECIALE AANSLUITINGEN V (Prijtoeslag € 62,-)



Bij bestelling dient u altijd de gewenste aansluiting op te geven: (van V9, V10, V11).

- **Materiaal:** Horizontale collectoren uitgevoerd in gecoat carbonstaal met een diameter van Ø 38 mm. Dubbele rij rechthoekige verticale verwarmingselementen in gecoat carbonstaal 50x10 mm.
- **Hoogte:** Diverse hoogtematen tussen 600 en 2500 mm.
- **Lengte:** Diverse lengtematen tussen 224 en 1792 mm.
- **Dieptes:** Diepte radiator: 58 mm. Afstand vanaf de muur tot voorkant radiator: 84 mm. Afstand vanaf de muur tot het hart van de aansluiting: 55 mm.
- **Aansluitingen:** (2x 1/2") A/R + (1x 1/8") ontluchter.
- **P. Max:** 5 bar.
- **Werking:** Centrale verwarming.
- **T. Max:** 110°C.
- **Montageset:** Wandbeugel, ontluchter, zeskant sleutel, pluggen en schroeven voor montage in volle steen of holle wand en gebruikershandleiding.
- **Verpakking:** Beschermd d.m.v. recyclebaar karton, voorzien van polyethyleen folie.

- **Kleur:** Standaardkleur RAL 9010 (gepoedercoat met ecologisch epoxy poeder. (Certificaat DIN 5590-1,-2). Tevens leverbaar in alle CORDIVARI COLORS tegen een meerprijs van 30% per radiator zie pag. 378-379.
- **Garantie:** 5 jaar fabrieksgarantie.
- **SnelSelect:** Door middel van ons SnelSelect-programma kunt u ook via het internet snel, eenvoudig en foutloos selecteren. U kunt het SnelSelect-programma gebruiken via www.snelselect.nl.
- **Kranensets:** DRL DESIGN KRANEN, zie INDEX pag. 6-7.



DRL CORDIVARI ROSY TANDEM VERTICAL

NEO DESIGN

HOOGTE H (mm)	600	800	1000	1200	1400	1600	1800	1900	2000	2200	2300	2500	
GEWICHT per el. (kg)	1,425	1,86	2,294	2,729	3,163	3,598	4,032	4,249	4,467	4,901	5,118	5,553	
INHOUD per el. (l)	0,546	0,69	0,835	0,98	1,124	1,269	1,414	1,486	1,559	1,703	1,776	1,92	
LEDEN													
Warmteafgifte bij: Watt 75/65/20°C													
AANTAL	LENGTE L	600	800	1000	1200	1400	1600	1800	1900	2000	2200	2300	2500
4	224	€ 328	€ 385	€ 405	€ 408	€ 409	€ 432	€ 452	€ 460	€ 471	€ 475	€ 489	€ 540
		257	329	399	468	532	596	660	696	720	778	812	872
5	280	€ 373	€ 433	€ 458	€ 463	€ 470	€ 498	€ 519	€ 535	€ 544	€ 564	€ 584	€ 640
		321	412	499	585	665	745	825	870	900	972	1015	1090
6	336	€ 419	€ 480	€ 511	€ 518	€ 529	€ 565	€ 586	€ 609	€ 619	€ 651	€ 678	€ 741
		385	494	598	702	798	894	990	1043	1080	1166	1218	1308
7	392	€ 464	€ 528	€ 564	€ 573	€ 590	€ 632	€ 653	€ 684	€ 693	€ 740	€ 772	€ 842
		449	576	698	819	931	1043	1155	1217	1260	1361	1421	1526
8	448	€ 510	€ 577	€ 617	€ 630	€ 650	€ 699	€ 719	€ 757	€ 768	€ 828	€ 866	€ 942
		514	658	798	936	1064	1192	1320	1391	1440	1555	1624	1744
9	504	€ 555	€ 624	€ 670	€ 685	€ 711	€ 765	€ 786	€ 832	€ 842	€ 916	€ 962	€ 1.044
		578	741	897	1053	1197	1341	1485	1565	1620	1750	1827	1962
10	560	€ 600	€ 672	€ 723	€ 740	€ 771	€ 832	€ 853	€ 906	€ 916	€ 1.004	€ 1.056	€ 1.144
		642	823	997	1170	1330	1490	1650	1739	1800	1944	2030	2180
11	616	€ 646	€ 719	€ 776	€ 795	€ 832	€ 899	€ 919	€ 980	€ 991	€ 1.092	€ 1.150	€ 1.245
		706	905	1097	1287	1463	1639	1815	1913	1980	2138	2233	2398
12	672	€ 690	€ 768	€ 828	€ 850	€ 892	€ 965	€ 986	€ 1.055	€ 1.064	€ 1.180	€ 1.245	€ 1.345
		770	988	1196	1404	1596	1788	1980	2087	2160	2333	2436	2616
13	728	€ 736	€ 816	€ 880	€ 906	€ 953	€ 1.032	€ 1.053	€ 1.129	€ 1.139	€ 1.269	€ 1.339	€ 1.446
		835	1070	1296	1521	1729	1937	2145	2261	2340	2527	2639	2834
14	784	€ 781	€ 863	€ 933	€ 962	€ 1.012	€ 1.099	€ 1.119	€ 1.203	€ 1.213	€ 1.356	€ 1.433	€ 1.546
		899	1152	1396	1638	1862	2086	2310	2435	2520	2722	2842	3052
15	840	€ 826	€ 911	€ 986	€ 1.017	€ 1.073	€ 1.165	€ 1.186	€ 1.277	€ 1.287	€ 1.445	€ 1.528	€ 1.647
		963	1235	1496	1755	1995	2235	2475	2609	2700	2916	3045	3270
16	896	€ 872	€ 958	€ 1.039	€ 1.072	€ 1.133	€ 1.232	€ 1.253	€ 1.352	€ 1.362	€ 1.532	€ 1.622	€ 1.748
		1027	1317	1595	1872	2128	2384	2640	2782	2880	3110	3248	3488
17	952	€ 917	€ 1.007	€ 1.092	€ 1.127	€ 1.194	€ 1.299	€ 1.320	€ 1.425	€ 1.436	€ 1.621	€ 1.716	€ 1.849
		1091	1399	1695	1989	2261	2533	2805	2956	3060	3305	3451	3706
18	1008	€ 963	€ 1.055	€ 1.145	€ 1.183	€ 1.255	€ 1.366	€ 1.386	€ 1.500	€ 1.510	€ 1.709	€ 1.811	€ 1.950
		1156	1481	1795	2106	2394	2682	2970	3130	3240	3499	3654	3924

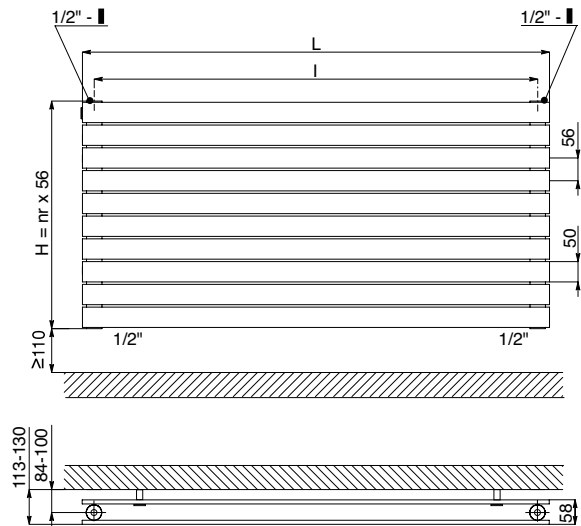
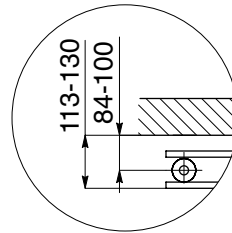
DRL CORDIVARI ROSY TANDEM HORIZONTAL

NEO DESIGN

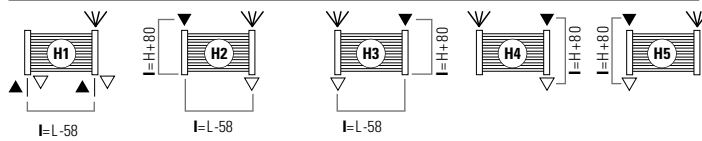


De Cordivari Rosy Tandem Horizontal - NeoDesign radiator is een variatie op de Rosy radiator en is samengesteld uit horizontale ronde collectoren, waar een dubbele rij rechthoekige verticale verwarmingselementen op zijn gelast. Rosy is uitgevoerd in gepoedercoat carbon staal en verkrijgbaar in horizontale en verticale uitvoering. De radiator kan worden verfraaid met diverse accessoires, zoals een breed assortiment van Design kranen.

Rosy is een stijlvolle radiator en met neo klassiek design en past in iedere leefruimte. Dankzij de vorm en de positionering van de verwarmingselementen ontstaat een zeer hoge warmteafgifte.



STANDAARDAANSLUITINGEN H



LEGENDA

▶ Aanvoer ◀ Retour ◀ Ontluchter H Hoogte I Op het hart L Lengte □ Aansluiting | Blindstop

SPECIALE AANSLUITINGEN (Prijstoeslag € 62,-)



- **Materiaal:** Verticale collectoren uitgevoerd in gecoat carbonstaal met een diameter van \varnothing 38 mm. Dubbele rij rechthoekige horizontale verwarmingselementen in gecoat carbonstaal 50x10 mm.
- **Hoogte:** Diverse hoogtematen tussen 500 en 2000 mm.
- **Lengte:** Diverse lengtematen tussen 224 en 1008 mm.
- **Dieptes:** Diepte radiator: 58 mm. Afstand vanaf de muur tot voorkant radiator: 113-130 mm. Afstand vanaf de muur tot het hart van de aansluiting: 84-100 mm.
- **Aansluitingen:** (2x 1/2") A/R + (1x 1/8") ontluchter.
- **P. Max:** 8 bar.
- **Werking:** Centrale verwarming.
- **T. Max:** 110°C.
- **Montageset:** Wandbeugel, ontluchter, zeskant sleutel, pluggen en schroeven voor montage in volle steen of holle wand en gebruikershandleiding.
- **Verpakking:** Beschermd d.m.v. recyclebaar karton, voorzien van polyethyleen folie.

- **Kleur:** Standaardkleur RAL 9010 (gepoedercoat met ecologisch epoxy poeder. Certificaat DIN 5590-1,-2). Tevens leverbaar in alle CORDIVARI COLORS tegen een meerprijs van 30% per radiator zie pag. 378-379.
- **Garantie:** 5 jaar fabrieksgarantie.
- **SnelSelect:** Door middel van ons SnelSelect-programma kunt u ook via het internet snel, eenvoudig en foutloos selecteren. U kunt het SnelSelect-programma gebruiken via www.snelselect.nl.
- **Kranensets:** DRL DESIGN KRANEN, zie INDEX pag. 6-7.



DRL CORDIVARI ROSY TANDEM HORIZONTAL

NEO DESIGN

LENGTE L (mm)		500	600	800	1000	1200	1400	1500	1600	1700	1800	1900	2000
GEWICHT per el. (kg)		1,208	1,425	1,86	2,294	2,729	3,163	3,381	3,598	4,032	4,249	4,47	4,68
INHOUD per el. (l)		0,473	0,546	0,69	0,835	0,98	1,124	1,197	1,269	1,414	1,486	1,56	1,63
LEDEN		Warmteafgifte bij: Watt 75/65/20°C											
AANTAL	HOOGTE H	500	600	800	1000	1200	1400	1500	1600	1700	1800	1900	2000
4	224	€ 318	€ 328	€ 385	€ 405	€ 408	€ 409	€ 431	€ 432	€ 435	€ 452	€ 460	€ 471
		245	884	1060	1414	1767	2120	2474	2651	2827	3004	3181	3357
5	280	€ 360	€ 373	€ 433	€ 458	€ 463	€ 470	€ 496	€ 498	€ 502	€ 519	€ 535	€ 544
		245	294	392	490	588	686	735	784	833	882	931	980
6	336	€ 404	€ 419	€ 480	€ 511	€ 518	€ 529	€ 562	€ 565	€ 569	€ 586	€ 609	€ 619
		300	359	479	599	719	839	899	958	1018	1078	1138	1198
7	392	€ 447	€ 464	€ 528	€ 564	€ 573	€ 590	€ 626	€ 632	€ 635	€ 653	€ 684	€ 693
		353	423	564	705	846	987	1058	1128	1199	1269	1340	1410
8	448	€ 489	€ 510	€ 577	€ 617	€ 630	€ 650	€ 692	€ 699	€ 702	€ 719	€ 757	€ 768
		404	485	646	808	970	1131	1212	1293	1374	1454	1535	1616
9	504	€ 532	€ 555	€ 624	€ 670	€ 685	€ 711	€ 757	€ 765	€ 769	€ 786	€ 832	€ 842
		454	545	726	908	1090	1271	1362	1453	1544	1634	1725	1816
10	560	€ 575	€ 600	€ 672	€ 723	€ 740	€ 771	€ 823	€ 832	€ 835	€ 853	€ 906	€ 916
		503	603	804	1005	1206	1407	1508	1608	1709	1809	1910	2010
11	616	€ 618	€ 646	€ 719	€ 776	€ 795	€ 832	€ 888	€ 899	€ 902	€ 919	€ 980	€ 991
		550	659	879	1099	1319	1539	1649	1758	1868	1978	2088	2198
12	672	€ 661	€ 690	€ 768	€ 828	€ 850	€ 892	€ 954	€ 965	€ 969	€ 986	€ 1.055	€ 1.064
		596	715	953	1191	1429	1667	1787	1906	2025	2144	2263	2382
13	728	€ 703	€ 736	€ 816	€ 880	€ 906	€ 953	€ 1.019	€ 1.032	€ 1.035	€ 1.053	€ 1.129	€ 1.139
		640	768	1024	1280	1536	1792	1920	2048	2176	2304	2432	2560
14	784	€ 746	€ 781	€ 863	€ 933	€ 962	€ 1.012	€ 1.085	€ 1.099	€ 1.102	€ 1.119	€ 1.203	€ 1.213
		684	820	1094	1367	1640	1914	2051	2187	2324	2461	2597	2734
15	840	€ 789	€ 826	€ 911	€ 986	€ 1.017	€ 1.073	€ 1.150	€ 1.165	€ 1.169	€ 1.186	€ 1.277	€ 1.287
		726	871	1161	1451	1741	2031	2177	2322	2467	2612	2597	2902
16	896	€ 832	€ 872	€ 958	€ 1.039	€ 1.072	€ 1.133	€ 1.216	€ 1.232	€ 1.236	€ 1.253	€ 1.352	€ 1.362
		767	920	1226	1533	1840	2146	2300	2453	2606	2759	2913	3066
17	952	€ 874	€ 917	€ 1.007	€ 1.092	€ 1.127	€ 1.194	€ 1.282	€ 1.299	€ 1.302	€ 1.320	€ 1.425	€ 1.436
		807	968	1290	1613	1936	2258	2420	2581	2742	2903	3065	3226
18	1008	€ 917	€ 963	€ 1.055	€ 1.145	€ 1.183	€ 1.255	€ 1.346	€ 1.366	€ 1.369	€ 1.386	€ 1.500	€ 1.510
		846	1015	1353	1691	2029	2367	2537	2706	2875	3044	3213	3382

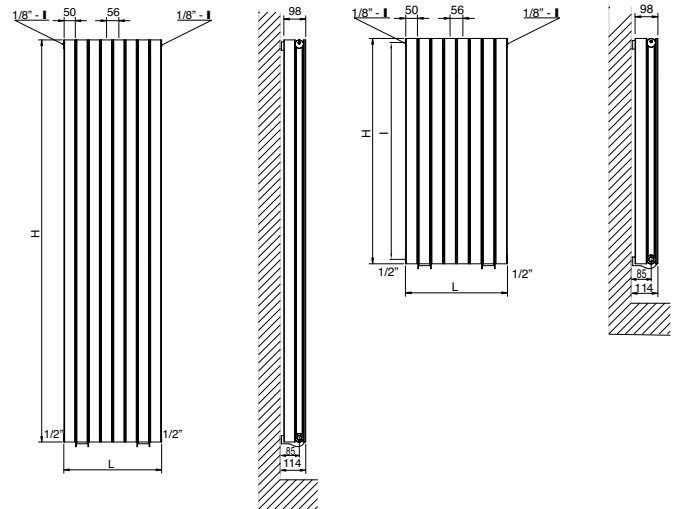
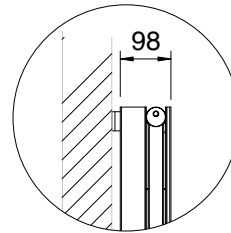
DRL CORDIVARI ROSY MAX

NEO DESIGN

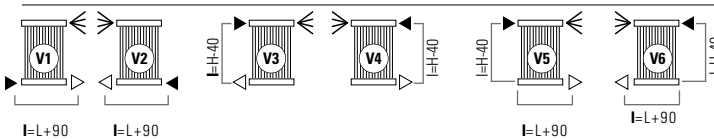


De Cordivari Rosy Max - NeoDesign radiator is een variatie op de Rosy radiator en is samengesteld uit horizontale ronde collectoren, waar een dubbele rij rechthoekige verticale verwarmingselementen op zijn gelast. Rosy is uitgevoerd in gepoedercoat carbon staal en verkrijgbaar in horizontale en verticale uitvoering. De radiator kan worden verfraaid met diverse accessoires, zoals een breed assortiment van Design kranen.

Rosy is een stijlvolle radiator en met neo klassiek design en past in iedere leefruimte. Dankzij de vorm en de positionering van de verwarmingselementen ontstaat een zeer hoge warmteafgifte.



STANDAARDAANSLUITINGEN V

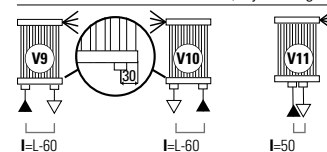


Bij bestelling dient u altijd de gewenste standaard aansluiting op te geven: (van V1 tot V6).

LEGENDA

► Aanvoer ◄ Retour ◀ Ontluchter H Hoogte I Op het hart L Lengte □ Aansluiting | Blindstop

SPECIALE AANSLUITINGEN V (Prijstoeslag € 62,-)



Bij bestelling dient u altijd de gewenste aansluiting op te geven: (van V9, V10, V11).

- **Materiaal:** Horizontale collectoren uitgevoerd in gecoat carbonstaal met een diameter van Ø 38 mm. Dubbele rij rechthoekige verticale verwarmingselementen in gecoat carbonstaal 50x10 mm.
- **Hoogte:** Diverse hoogtematen tussen 390 en 2000 mm.
- **Lengte:** Diverse lengtematen tussen 274 en 1786 mm.
- **Dieptes:** Diepte radiator: 58 mm. Afstand vanaf de muur tot voorkant radiator: 114 mm. Afstand vanaf de muur tot het hart van de aansluiting: 85 mm.
- **Aansluitingen:** (2x 1/2") A/R + (1x 1/8") ontluchter.
- **P. Max:** 5 bar.
- **Werking:** Centrale verwarming.
- **T. Max:** 110°C.
- **Montageset:** Wandbeugel, ontluchter, zeskant sleutel, pluggen en schroeven voor montage in volle steen of holle wand en gebruikershandleiding.
- **Verpakking:** Beschermd d.m.v. recyclebaar karton, voorzien van polyethyleen folie.

- **Kleur:** Standaardkleur RAL 9010 (gepoedercoat met ecologisch epoxy poeder. (Certificaat DIN 5590-1,-2). Tevens leverbaar in alle CORDIVARI COLORS tegen een meerprijs van 30% per radiator zie pag. 378-379.
- **Garantie:** 5 jaar fabrieksgarantie.
- **SnelSelect:** Door middel van ons SnelSelect-programma kunt u ook via het internet snel, eenvoudig en foutloos selecteren. U kunt het SnelSelect-programma gebruiken via www.snelselect.nl.
- **Kranensets:** DRL DESIGN KRANEN, zie INDEX pag. 6-7.



DRL CORDIVARI ROSY MAX

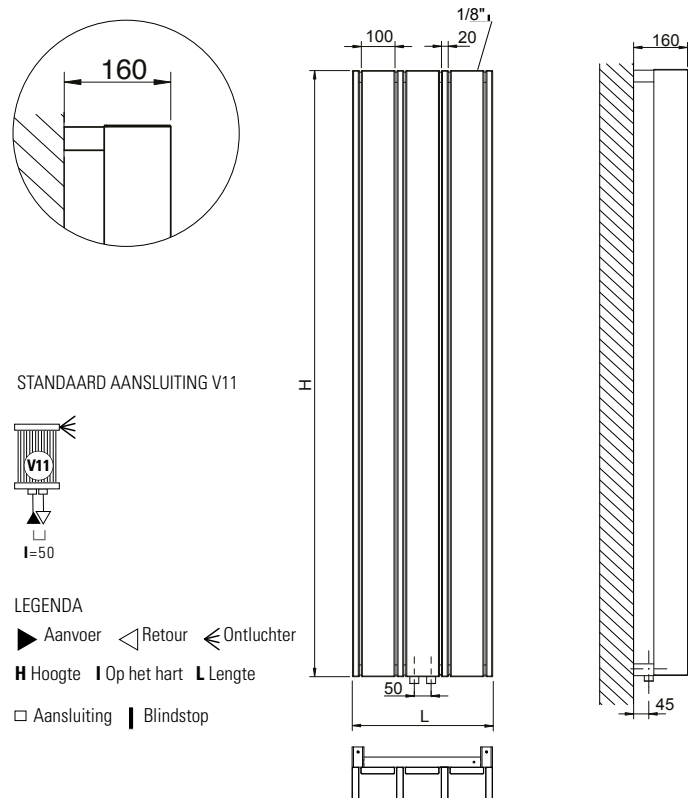
NEO DESIGN

HOOGTE H (mm)		390	540	640	940	1800	2000
GEWICHT per el. (kg)		1,393	1,882	2,207	3,185	5,987	6,639
INHOUD per el. (l)		0,535	0,698	0,806	10,132	2,065	2,282
LEDEN		Warmteafgifte bij: Watt 75/65/20°C					
AANTAL	LENGTE L	390	540	640	940	1800	2000
5	274	€ 616 347	€ 619 443	€ 638 507	€ 647 699	€ 670 1368	€ 692 1512
6	330	€ 669 417	€ 673 532	€ 693 609	€ 709 839	€ 745 1550	€ 773 1713
7	386	€ 720 486	€ 727 621	€ 749 710	€ 770 979	€ 820 1824	€ 856 2016
8	442	€ 773 556	€ 781 709	€ 804 812	€ 832 1119	€ 896 2097	€ 938 2318
9	498	€ 826 625	€ 835 798	€ 860 913	€ 893 1259	€ 971 2371	€ 1.019 2620
10	554	€ 879 695	€ 889 887	€ 915 1015	€ 955 1399	€ 1.047 2553	€ 1.101 2822
11	610	€ 932 764	€ 943 975	€ 970 1116	€ 1.017 1539	€ 1.123 2827	€ 1.183 3124
12	666	€ 985 833	€ 998 1064	€ 1.025 1218	€ 1.078 1678	€ 1.198 3100	€ 1.264 3427
13	722	€ 1.038 903	€ 1.052 1153	€ 1.080 1319	€ 1.140 1818	€ 1.274 3374	€ 1.346 3729
14	778	€ 1.091 972	€ 1.106 1241	€ 1.137 1420	€ 1.202 1958	€ 1.349 3648	€ 1.429 4032
15	834	€ 1.144 1042	€ 1.160 1330	€ 1.192 1522	€ 1.263 2098		
16	890	€ 1.196 1111	€ 1.215 1419	€ 1.247 1623	€ 1.325 2238		
17	946	€ 1.249 1181	€ 1.269 1507	€ 1.302 1725	€ 1.386 2378		
18	1002	€ 1.302 1250	€ 1.323 1596	€ 1.357 1826	€ 1.448 2518		
19	1058	€ 1.355 1320	€ 1.377 1684	€ 1.413 1928	€ 1.510 2657		
20	1114	€ 1.408 1389	€ 1.431 1773	€ 1.469 2029	€ 1.571 2797		
21	1170	€ 1.461 1459	€ 1.485 1682	€ 1.524 2131	€ 1.633 2937		
22	1126	€ 1.514 1528	€ 1.539 1950	€ 1.579 2232	€ 1.696 3077		
23	1282	€ 1.567 1597	€ 1.593 2039	€ 1.635 2334	€ 1.757 3217		
24	1338	€ 1.620 1667	€ 1.647 2128	€ 1.690 2435	€ 1.819 3357		
25	1394	€ 1.673 1736	€ 1.701 2216	€ 1.745 2536			
26	1450	€ 1.725 1806	€ 1.755 2305	€ 1.800 2638			
27	1506	€ 1.778 1875	€ 1.809 2394	€ 1.857 2739			
28	1562	€ 1.831 1945	€ 1.863 2482	€ 1.912 2841			
29	1617	€ 1.884 2014	€ 1.918 2571	€ 1.967 2942			
30	1674	€ 1.937 2084	€ 1.972 2660	€ 2.022 3044			
31	1730	€ 1.990 2153	€ 2.026 2748	€ 2.077 3145			
32	1786	€ 2.043 2222	€ 2.080 2837	€ 2.133 3247			



De Cordivari Groove® - NeoDesign radiator is samengesteld uit rechthoekige verticale verwarmingselementen in gecoat aluminium. Groove® is verkrijgbaar in verticale uitvoering. De radiator kan worden verfraaid met diverse accessoires, zoals een breed assortiment van Design kranen.

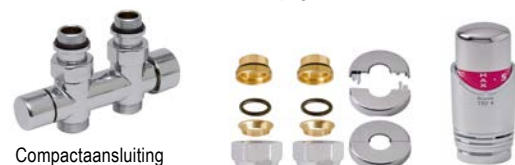
De eenvoud en puurheid van de lijn is de basisgedachte achter de Neo Design Groove® radiator. Eenvoudige minimale verticale elementen zijn gecomponeerd in een soort parallelisme die tot in de oneindigheid door kunnen gaan. Het resultaat is een perfecte geometrie van de radiator, een verwerping haast van onnodige en provocatieve moderniteit.



DRL ART.NR.	OMSCHRIJVING	SERIE	AANTAL ELEM.	HOOGTE H (mm)	LENGTE L (mm)	H.O.H I (mm)	DIEPTE D1 (mm)	DIEPTE D2 (mm)	DIEPTE D3 (mm)	GEWICHT (kg)	INHOUD (l)	VERMOGEN Watt/75/65/20	PRIJS € RAL 9010
302601	GROOVE 1800x284	NeoDesign	5	1800	284	50	100	160	45	19,3	1,8	939	1.157
302602	GROOVE 1800x416	NeoDesign	7	1800	416	50	100	160	45	24,2	2,5	1315	1.478
302603	GROOVE 2000x284	NeoDesign	5	2000	284	50	100	160	45	19,2	1,9	1043	1.228
302604	GROOVE 2000x416	NeoDesign	7	2000	416	50	100	160	45	26,9	2,7	1460	1.635

- Materiaal: Rechthoekige verticale verwarmingselementen in gecoat aluminium 100x20 mm.
- Hoogte: 1800 en 2000 mm.
- Lengte: 284 en 416 mm.
- Dieptes: Diepte radiator: 100 mm (D1). Afstand vanaf de muur tot voorkant radiator: 160 mm (D2). Afstand vanaf de muur tot het hart van de aansluiting: 45 mm (D3).
- Aansluitingen: (2x 1/2") A/R + (1x1/2") ontluchter.
- P. Max: 6 bar.
- Werking: Centrale verwarming.
- T. Max: 110°C.
- Montageset: Wandbeugel, ontluchter, zeskant sleutel, pluggen en schroeven voor montage in volle steen of holle wand en gebruikershandleiding.
- Verpakking: Beschermd d.m.v. recyclebaar karton, voorzien van polyethyleen folie.

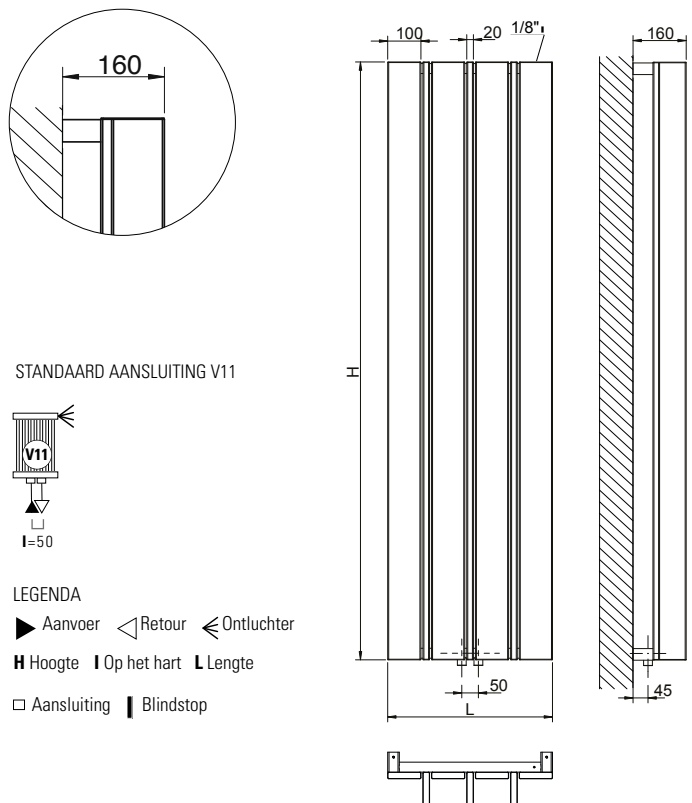
- Kleur: Standaardkleur RAL 9010 (gepoedercoat met ecologisch epoxy poeder. (Certificaat DIN 5590-1,-2). Tevens leverbaar in alle CORDIVARI COLORS tegen een meerprijs van 30% per radiator zie pag. 378-379.
- Garantie: 5 jaar fabrieksgarantie.
- SnelSelect: Door middel van ons SnelSelect-programma kunt u ook via het internet snel, eenvoudig en foutloos selecteren. U kunt het SnelSelect-programma gebruiken via www.snelselect.nl.
- Kranensets: DRL DESIGN KRANEN, zie INDEX pag. 6-7.





De Cordivari Roads® NeoDesign radiator is samengesteld uit rechthoekige verticale verwarmingselementen in gecoat aluminium. Roads® is verkrijgbaar in verticale uitvoering. De radiator kan worden verfraaid met diverse accessoires, zoals een breed assortiment van Design kranen.

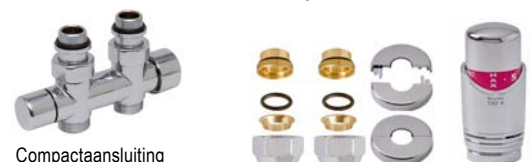
Met Roads® ervaar je het minimalisme als artistieke stroming die het hedendaagse design zo zwaar heeft beïnvloed. Het lijkt hier te gaan om een zoektocht naar de essentie in een gecompliceerde wereld met een eenvoudige en puur formele taal die de esthetische waarden, die worden gedeeld door ons allen, weet te communiceren. Roads® combineert een hoog warmteafgifte met esthetische waarden. Wanneer de warme elementen in serie geplaatst worden, als parallelle straten, wordt Roads® als een ruimtelijke compositie die voorbijgaat aan het design van stedelijke geslotenheid en de voorkeur geeft aan open ruimtes.



DRL ART.NR.	OMSCHRIJVING	SERIE	AANTAL ELEM.	HOOGTE H (mm)	LENGTE L (mm)	H.O.H I (mm) COMPACT	DIEPTE D1 (mm)	DIEPTE D2 (mm)	DIEPTE D3 (mm)	GEWICHT (kg)	INHOUD (l)	VERMOGEN Watt/75/65/20	PRIJS € RAL 9010
302701	ROADS 1800x364	NeoDesign	5	1800	364	50	100	160	45	17,5	1,8	939	1.139
302702	ROADS 1800x496	NeoDesign	7	1800	496	50	100	160	45	24,4	2,5	1315	1.462
302703	ROADS 2000x364	NeoDesign	5	2000	364	50	100	160	45	19,3	2,0	1043	1.215
302704	ROADS 2000x496	NeoDesign	7	2000	496	50	100	160	45	27,0	2,8	1460	1.617

- Materiaal: Rechthoekige verticale verwarmingselementen in gecoat aluminium 100x20 mm.
- Hoogte: 1800 en 2000 mm.
- Lengte: 364 en 496 mm.
- Dieptes: Diepte radiator: 100 mm (D1). Afstand vanaf de muur tot voorkant radiator: 160 mm (D2). Afstand vanaf de muur tot het hart van de aansluiting: 45 mm (D3).
- Aansluitingen: (2x 1/2") A/R + (1x 1/2") ontlucher.
- P. Max: 6 bar.
- Werking: Centrale verwarming.
- T. Max: 110°C.
- Montageset: Wandbeugel, ontlucher, zeskant sleutel, pluggen en schroeven voor montage in volle steen of holle wand en gebruikershandleiding.
- Verpakking: Beschermd d.m.v. recyclebaar karton, voorzien van polyethyleen folie.

- Kleur: Standaardkleur RAL 9010 (gepoedercoat met ecologisch epoxy poeder. (Certificaat DIN 5590-1,-2). Tevens leverbaar in alle CORDIVARI COLORS tegen een meerprijs van 30% per radiator zie pag. 378-379. 5 jaar fabrieksgarantie.
- Garantie: Door middel van ons SnelSelect-programma kunt u ook via het internet snel, eenvoudig en foutloos selecteren.
- SnelSelect: U kunt het SnelSelect-programma gebruiken via www.snelselect.nl.
- Kranensets: DRL DESIGN KRANEN, zie INDEX pag. 6-7.

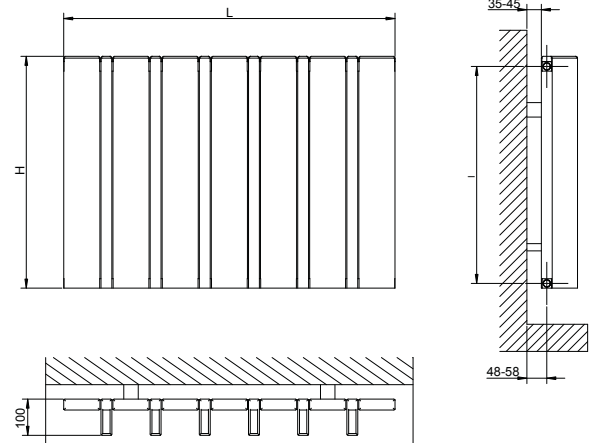
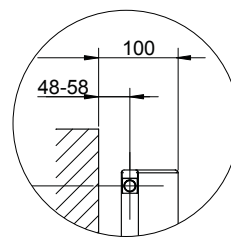




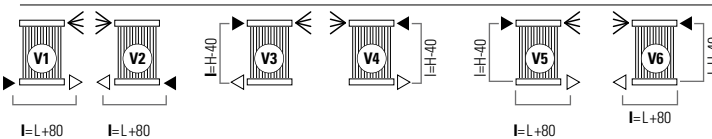
ROADS® STF met Chroom afdekprofiel



ROADS® STF met afdekprofiel van kleur radiator



STANDAARDAANSLUITINGEN V

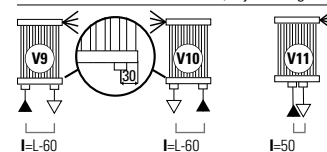


Bij bestelling dient u altijd de gewenste standaard aansluiting op te geven: (van V1 tot V6).

LEGENDA

► Aanvoer ◄ Retour ◀ Ontluchter H Hoogte I Op het hart L Lengte □ Aansluiting | Blindstop

SPECIALE AANSLUITINGEN V (Prijstoeslag € 62,-)

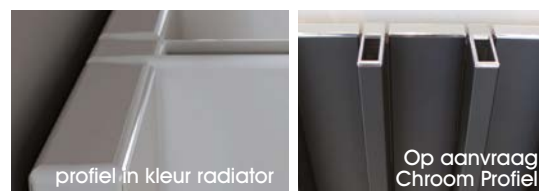


Bij bestelling dient u altijd de gewenste aansluiting op te geven: (van V9, V10, V11).

- **Materiaal:** Rechthoekige verticale verwarmingselementen in gecoat aluminium 100x30 mm.
- **Hoogte:** 540, 640, 740 en 840 mm.
- **Lengte:** Diverse lengtematen tussen 372 en 1460 mm.
- **Hoogte:** 540, 640, 740 en 840 mm.
- **Dieptes:** Diepte radiator: 100 mm (D1). Afstand vanaf de muur tot voorkant radiator: 135-145 mm (D2). Afstand vanaf de muur tot het hart van de aansluiting: 48-58 mm (D3).
- **Aansluitingen:** (2x 1/2") A/R + (1x 1/2") ontluchter.
- **P. Max:** 6 bar.
- **Werking:** Centrale verwarming.
- **T. Max:** 110°C.
- **Montageset:** Wandbeugel, ontluchter, zeskant sleutel, pluggen en schroeven voor montage in volle steen of holle wand en gebruikershandleiding.
- **Verpakking:** Beschermd d.m.v. recyclebaar karton, voorzien van polyethyleen folie.

- **Kleur:** Standaardkleur RAL 9010 (gepoedercoat met ecologisch epoxy poeder. (Certificaat DIN 5590-1,-2). Tevens leverbaar in alle CORDIVARI COLORS tegen een meerprijs van 30% per radiator zie pag. 378-379.
- **Garantie:** 5 jaar fabrieksgarantie.
- **SnelSelect:** Door middel van ons SnelSelect-programma kunt u ook via het internet snel, eenvoudig en foutloos selecteren. U kunt het SnelSelect-programma gebruiken via www.snelselect.nl.
- **Kranensets:** DRL DESIGN KRANEN, zie INDEX pag. 6-7.





DRL ART.NR.	OMSCHRIJVING	SERIE	AANTAL ELEM.	HOOGTE H (mm)	LENGTE L (mm)	H.O.H l (mm)	DIEPTE D1 (mm)	DIEPTE D2 (mm)	DIEPTE D3 (mm)	GEWICHT (kg)	INHOUD (l)	VERMOGEN Watt/75/65/20	PRIJS € RAL 9010
302801	ROADS STF 540x372	NeoDesign	5	540	372	500	100	160	45	4,2	0,7	328	1.015
302802	ROADS STF 540x508	NeoDesign	7	540	508	500	100	160	45	5,9	1,0	459	1.132
302803	ROADS STF 540x644	NeoDesign	9	540	644	500	100	160	45	7,6	1,2	590	1.248
302804	ROADS STF 540x780	NeoDesign	11	540	780	500	100	160	45	9,2	1,5	721	1.366
302805	ROADS STF 540x916	NeoDesign	13	540	916	500	100	160	45	10,9	1,8	852	1.483
302806	ROADS STF 540x1052	NeoDesign	15	540	1052	500	100	160	45	12,6	2,0	983	1.599
302807	ROADS STF 540x1188	NeoDesign	17	540	1188	500	100	160	45	14,3	2,3	1114	1.716
302808	ROADS STF 540x1324	NeoDesign	19	540	1324	500	100	160	45	15,9	2,6	1245	1.834
302809	ROADS STF 540x1460	NeoDesign	21	540	1460	500	100	160	45	17,6	2,8	1376	1.950
302821	ROADS STF 640x372	NeoDesign	5	640	372	600	100	160	45	4,9	0,8	386	1.037
302822	ROADS STF 640x508	NeoDesign	7	640	508	600	100	160	45	6,8	1,1	540	1.156
302823	ROADS STF 640x644	NeoDesign	9	640	644	600	100	160	45	8,7	1,4	694	1.276
302824	ROADS STF 640x780	NeoDesign	11	640	780	600	100	160	45	10,7	1,7	848	1.397
302825	ROADS STF 640x916	NeoDesign	13	640	916	600	100	160	45	12,6	2,0	1002	1.516
302826	ROADS STF 640x1052	NeoDesign	15	640	1052	600	100	160	45	14,5	2,3	1157	1.636
302827	ROADS STF 640x1188	NeoDesign	17	640	1188	600	100	160	45	16,4	2,6	1311	1.757
302828	ROADS STF 640x1324	NeoDesign	19	640	1324	600	100	160	45	18,4	2,9	1465	1.876
302829	ROADS STF 640x1460	NeoDesign	21	640	1460	600	100	160	45	20,3	3,2	1619	1.996
302841	ROADS STF 740x372	NeoDesign	5	740	372	700	100	160	45	5,5	0,9	443	1.062
302842	ROADS STF 740x508	NeoDesign	7	740	508	700	100	160	45	7,7	1,2	620	1.193
302843	ROADS STF 740x644	NeoDesign	9	740	644	700	100	160	45	9,9	1,5	797	1.315
302844	ROADS STF 740x780	NeoDesign	11	740	780	700	100	160	45	12,1	1,9	975	1.440
302845	ROADS STF 740x916	NeoDesign	13	740	916	700	100	160	45	14,2	2,2	1152	1.567
302846	ROADS STF 740x1052	NeoDesign	15	740	1052	700	100	160	45	16,4	2,6	1329	1.693
302847	ROADS STF 740x1188	NeoDesign	17	740	1188	700	100	160	45	18,6	2,9	1506	1.820
302848	ROADS STF 740x1324	NeoDesign	19	740	1324	700	100	160	45	20,8	3,2	1683	1.945
302849	ROADS STF 740x1460	NeoDesign	21	740	1460	700	100	160	45	23,0	3,6	1861	2.072
302861	ROADS STF 840x372	NeoDesign	5	840	372	800	100	160	45	6,2	1,0	501	1.093
302862	ROADS STF 840x508	NeoDesign	7	840	508	800	100	160	45	8,6	1,3	701	1.225
302863	ROADS STF 840x644	NeoDesign	9	840	644	800	100	160	45	11,0	1,7	901	1.357
302864	ROADS STF 840x780	NeoDesign	11	840	780	800	100	160	45	13,5	2,1	1101	1.490
302865	ROADS STF 840x916	NeoDesign	13	840	916	800	100	160	45	15,9	2,4	1301	1.622
302866	ROADS STF 840x1052	NeoDesign	15	840	1052	800	100	160	45	18,3	2,8	1502	1.754
302867	ROADS STF 840x1188	NeoDesign	17	840	1188	800	100	160	45	20,8	3,2	1702	1.886
302868	ROADS STF 840x1324	NeoDesign	19	840	1324	800	100	160	45	23,2	3,6	1902	2.019
302869	ROADS STF 840x1460	NeoDesign	21	840	1460	800	100	160	45	25,6	3,9	2102	2.151

DRL CORDIVARI FRAME - FRAME PLUS

NEO DESIGN



FRAME

De Cordivari Frame - NeoDesign radiator is samengesteld uit een horizontale collector waarop verticale verwarmingselementen zijn gelast.

De Frame heeft tevens als variatie de Frame Plus, deze is voorzien van 2 verwarmingsplaten.

Frame is uitgevoerd in gepoedercoat carbon staal en verkrijgbaar in verticale uitvoering.

De radiator kan worden verfraaid met diverse accessoires, zoals een breed assortiment van Design kranen.

De nieuwe Frame radiator heeft een onvergelijkbaar design, toepasbaar voor de meest mooie woonomgeving. Puur design met diversen mogelijkheden.

Het nauwkeurige productieproces en het onberispelijke afwerkingsniveau van deze Frame radiator zorgen samen met het nieuwe kleurenpalet voor een voltooide elegantie en harmonie. Het kleurenpalet bestaat uit ecologische epoxy polyester poeders met 90 glans helderheid. De serie is uit te breiden met praktische in satijn uitgevoerde roestvrij stalen design handdoekbeugels. Deze elegante radiatoren zijn nauwkeurig reproduceert en hebben een onberispelijke afwerking.



- **Materiaal:** Horizontale collector uitgevoerd in gecoat carbonstaal met een diameter van Ø 30 mm. Verwarmingselementen in gepoedercoat carbon staal. Enkele of dubbele verwarmingsplaat, in gecoat carbonstaal.
- **Hoogte:** 1822 en 2022 mm.
- **Lengte:** 464 en 576 mm.
- **Dieptes:** Diepte radiator: 10 mm (D1). Afstand vanaf de muur tot voorkant radiator: 73 mm, 81 mm (PLUS) (D2). Afstand vanaf de muur tot het hart van de aansluiting: 48 mm (D3).
- **Aansluitingen:** (2x 1/2") A/R + (1x1/8") ontluchter.
- **P. Max:** 5 bar.
- **Werking:** Centrale verwarming.
- **T. Max:** 110°C.
- **Montageset:** Wandbeugel, ontluchter, zeskant sleutel, pluggen en schroeven voor montage in volle steen of holle wand en gebruikershandleiding.
- **Verpakking:** Beschermd d.m.v. recyclebaar karton, voorzien van polyethyleen folie.

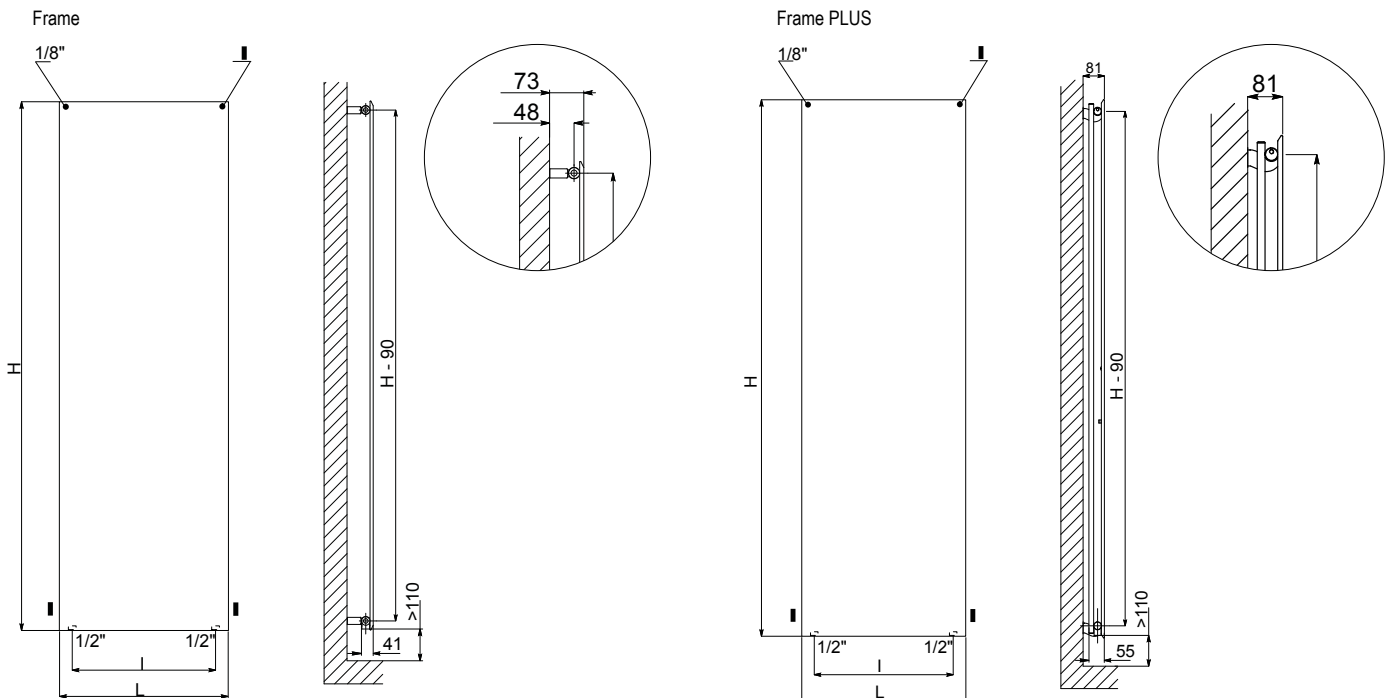
- **Kleur:** Standaardkleur RAL 9010 (gepoedercoat met ecologisch epoxy poeder. (Certificaat DIN 5590-1,-2). Tevens leverbaar in alle CORDIVARI COLORS tegen een meerprijs van 30% per radiator zie pag. 378-379.
- **Garantie:** 5 jaar fabrieksgarantie.
- **SnelSelect:** Door middel van ons SnelSelect-programma kunt u ook via het internet snel, eenvoudig en foutloos selecteren. U kunt het SnelSelect-programma gebruiken via www.snelselect.nl.
- **Kranensets:** DRL DESIGN KRANEN, zie INDEX pag. 6-7.



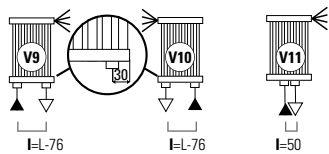
DRL CORDIVARI FRAME - FRAME PLUS

NEO DESIGN RADIATOR

DRL ART.NR.	OMSCHRIJVING	SERIE	HOOGTE H (mm)	LENGTE L (mm)	H.O.H I (mm) V09-V10	DIEPTE D1 (mm)	DIEPTE D2 (mm)	DIEPTE D3 (mm)	GEWICHT (kg)	INHOUD (l)	VERMOGEN Watt/75/65/20	PRIJS € RAL 9010
302401	FRAME Vertical 1822x464	NeoDesign	1822	464	388	10	73	48	16,6	5,8	880	847
302402	FRAME Vertical 1822x576	NeoDesign	1822	576	500	10	73	48	20,9	7,2	1100	984
302403	FRAME Vertical 2022x464	NeoDesign	2022	464	388	10	73	48	18,4	6,4	978	988
302404	FRAME Vertical 2022x576	NeoDesign	2022	576	500	10	73	48	23,0	8,0	1222	1.086
302501	FRAME PLUS Vertical 1822x464	NeoDesign	1822	464	388	10	81	48	35,7	11,2	1455	1.150
302502	FRAME PLUS Vertical 1822x576	NeoDesign	1822	576	500	10	81	48	45,1	13,7	1819	1.271
302503	FRAME PLUS Vertical 2022x464	NeoDesign	2022	464	388	10	81	48	39,5	12,3	1568	1.255
302504	FRAME PLUS Vertical 2022x576	NeoDesign	2022	576	500	10	81	48	49,9	15,0	1960	1.430
399014	Frame RVS 1 st. handdoekbeugel Polished L 464 (L=516)	INOX	-	516							-	225
399012	Frame RVS 3 st. handdoekbeugel Polished L 464 (L=516)	INOX	-	516							-	548
399015	Frame RVS 1 st. handdoekbeugel Polished L 576 (L=628)	INOX	-	628							-	225
399013	Frame RVS 3 st. handdoekbeugel Polished L 576 (L=628)	INOX	-	628							-	548



AANSLUITINGEN V (Prijstoeslag € 62,-)



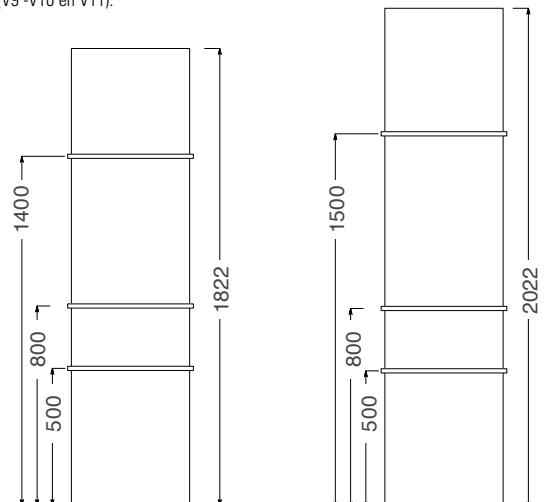
LEGENDA

▶ Aanvoer ◀ Retour ◀ Ontluchter H Hoogte I Op het hart L Lengte □ Aansluiting I Blindstop

Bij bestelling dient u altijd de gewenste standaard aansluiting op te geven: (V9 -V10 en V11).



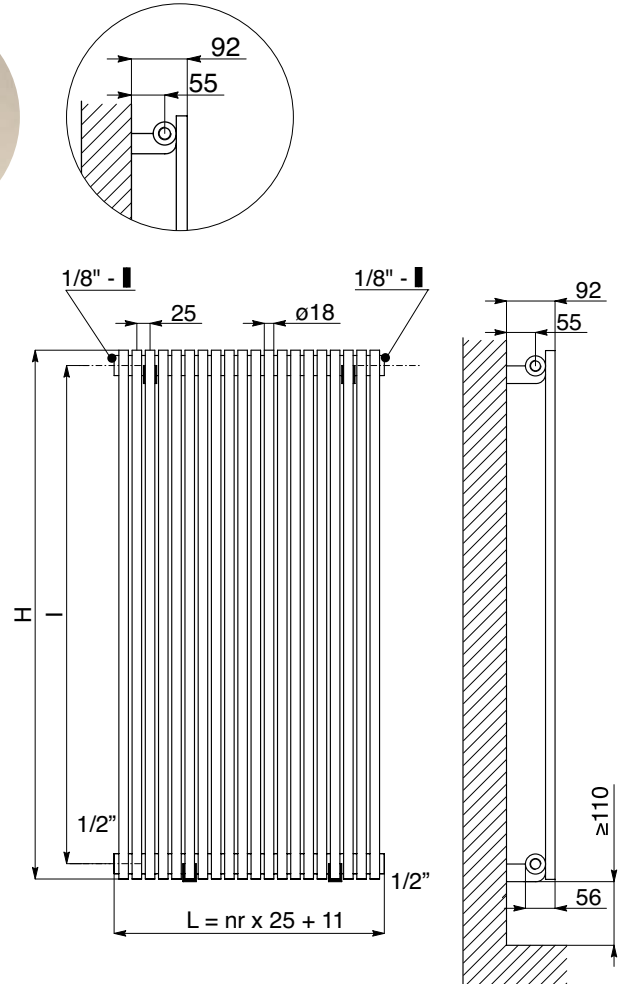
Positionering van de handdoekbeugels (Apart bestellen zie prijstabel hierboven set van 1 of 3 stuks)



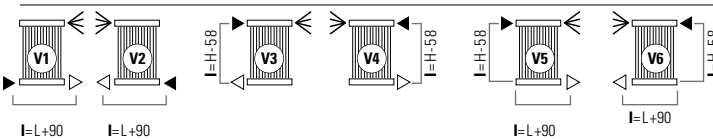


De Cordivari Alice Vertical NeoDesign radiator is samengesteld uit horizontale ronde collectoren, waar verticale ronde verwarmingsbuizen op zijn gelast.

Alice is uitgevoerd in gepoedercoat carbon staal en verkrijgbaar in horizontale en verticale uitvoering. De radiator kan worden verfraaid met diverse accessoires, zoals een breed assortiment van Design kranen.



STANDAARDAANSLUITINGEN V

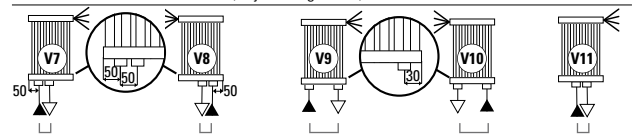


Bij bestelling dient u altijd de gewenste standaard aansluiting op te geven: (van V1 tot V6).

LEGENDA

► Aanvoer ◄ Retour ◄ Ontluchter H Hoogte I Op het hart L Lengte □ Aansluiting | Blindstop

SPECIALE AANSLUITINGEN V (Prijstoeslag € 62,-)



Bij bestelling dient u altijd de gewenste aansluiting op te geven: (van V7, V8, V9, V10, V11).

- **Materiaal:** Horizontale ronde collectoren uitgevoerd in gecoat carbonstaal met een diameter van Ø 38 mm. Verticale ronde verwarmingselementen in gecoat carbonstaal Ø 18 mm.
- **Hoogte:** Diverse hoogtematen tussen 600 en 2500 mm.
- **Lengte:** Diverse lengtematen tussen 136 en 1011 mm.
- **Dieptes:** Diepte radiator: 38 mm. Afstand vanaf de muur tot voorkant radiator: 92 mm. Afstand vanaf de muur tot het hart van de aansluiting: 55 mm.
- **Aansluitingen:** (2x 1/2") A/R + (1x1/8") ontluchter.
- **P. Max:** 8 bar.
- **Werking:** Centrale verwarming.
- **T. Max:** 110°C.
- **Montageset:** Wandbeugel, ontluchter, zeskant sleutel, pluggen en schroeven voor montage in volle steen of holle wand en gebruikershandleiding.
- **Verpakking:** Beschermd d.m.v. recyclebaar karton, voorzien van polyethyleen folie.

- **Kleur:** Standaardkleur RAL 9010 (gepoedercoat met ecologisch epoxy poeder. Certificaat DIN 5590-1,-2). Tevens leverbaar in alle CORDIVARI COLORS tegen een meerprijs van 30% per radiator zie pag. 378-379.
- **Garantie:** 5 jaar fabrieksgarantie.
- **SnelSelect:** Door middel van ons SnelSelect-programma kunt u ook via het internet snel, eenvoudig en foutloos selecteren. U kunt het SnelSelect-programma gebruiken via www.snelselect.nl.
- **Kranensets:** DRL DESIGN KRANEN, zie INDEX pag. 6-7.



DRL CORDIVARI ALICE VERTICAL

NEO DESIGN

HOOGTE H (mm)	600	800	1000	1200	1400	1600	1800	1900	2000	2200	2300	2500	
GEWICHT per el. (kg)	0,353	0,453	0,552	0,652	0,751	0,851	0,95	1	1,05	1,149	1,199	1,299	
INHOUD per el. (l)	0,164	0,203	0,241	0,279	0,317	0,356	0,394	0,413	0,432	0,47	0,489	0,528	
LEDEN Warmteafgifte bij: Watt 75/65/20°C													
AANTAL	LENGTE L	600	800	1000	1200	1400	1600	1800	1900	2000	2200	2300	2500
5	136	€ 220 112	€ 225 149	€ 226 185	€ 229 219	€ 232 253	€ 235 285	€ 239 316	€ 244 333	€ 248 346	€ 251 371	€ 252 388	€ 256 415
6	161	€ 233 134	€ 237 178	€ 239 221	€ 243 263	€ 247 303	€ 252 342	€ 258 379	€ 264 400	€ 270 415	€ 274 445	€ 276 466	€ 280 497
7	186	€ 245 156	€ 250 208	€ 251 258	€ 257 307	€ 262 354	€ 271 399	€ 276 442	€ 285 466	€ 290 484	€ 297 519	€ 301 543	€ 305 580
8	211	€ 258 178	€ 263 238	€ 264 295	€ 271 350	€ 276 404	€ 288 456	€ 296 506	€ 304 533	€ 312 553	€ 319 594	€ 325 621	€ 331 663
9	236	€ 271 201	€ 275 267	€ 276 332	€ 285 394	€ 291 455	€ 305 513	€ 314 569	€ 325 599	€ 333 622	€ 342 668	€ 349 698	€ 356 746
10	261	€ 283 223	€ 288 297	€ 289 369	€ 298 438	€ 306 505	€ 324 570	€ 333 632	€ 344 666	€ 355 691	€ 365 742	€ 372 776	€ 381 829
11	286	€ 296 245	€ 301 327	€ 302 406	€ 312 482	€ 322 556	€ 341 627	€ 352 695	€ 365 733	€ 377 760	€ 387 816	€ 396 854	€ 406 912
12	311	€ 309 268	€ 313 356	€ 314 443	€ 326 526	€ 337 606	€ 358 684	€ 371 758	€ 385 799	€ 397 829	€ 410 890	€ 420 931	€ 432 995
13	336	€ 320 290	€ 326 386	€ 327 480	€ 340 569	€ 352 657	€ 377 741	€ 390 822	€ 405 866	€ 419 898	€ 433 965	€ 444 1009	€ 457 1078
14	361	€ 333 312	€ 339 416	€ 340 517	€ 354 613	€ 367 707	€ 394 798	€ 409 885	€ 425 932	€ 440 967	€ 456 1039	€ 469 1086	€ 482 1161
15	386	€ 345 335	€ 351 446	€ 352 554	€ 367 657	€ 382 758	€ 411 855	€ 428 948	€ 446 999	€ 462 1037	€ 478 1113	€ 492 1164	€ 506 1244
16	411	€ 358 357	€ 364 475	€ 365 590	€ 381 701	€ 397 808	€ 429 912	€ 447 1011	€ 465 1066	€ 483 1106	€ 501 1187	€ 516 1242	€ 532 1326
17	436	€ 371 379	€ 377 505	€ 378 627	€ 395 745	€ 412 859	€ 447 969	€ 465 1074	€ 486 1132	€ 504 1175	€ 524 1261	€ 540 1319	€ 557 1409
18	461	€ 383 401	€ 389 535	€ 390 664	€ 409 788	€ 428 909	€ 464 1026	€ 485 1138	€ 505 1199	€ 526 1244	€ 546 1336	€ 564 1397	€ 582 1492
19	486	€ 396 424	€ 402 564	€ 403 701	€ 423 832	€ 443 960	€ 482 1083	€ 503 1201	€ 526 1265	€ 547 1313	€ 569 1410	€ 587 1474	€ 608 1575
20	511	€ 409 446	€ 413 594	€ 416 738	€ 436 876	€ 458 1010	€ 500 1140	€ 523 1264	€ 546 1332	€ 569 1382	€ 592 1484	€ 611 1552	€ 633 1658
21	536	€ 421 468	€ 426 624	€ 428 775	€ 450 920	€ 473 1061	€ 517 1197	€ 541 1327	€ 566 1399	€ 590 1451	€ 613 1558	€ 635 1630	€ 658 1741
22	561	€ 434 494	€ 439 653	€ 440 812	€ 464 964	€ 488 1111	€ 535 1254	€ 559 1390	€ 586 1465	€ 611 1520	€ 636 1632	€ 659 1707	€ 684 1824
23	586	€ 447 513	€ 451 683	€ 452 849	€ 478 1007	€ 503 1162	€ 552 1311	€ 579 1454	€ 607 1532	€ 633 1589	€ 659 1707	€ 684 1785	€ 709 1907
24	611	€ 459 535	€ 464 713	€ 465 886	€ 492 1051	€ 518 1212	€ 570 1368	€ 597 1517	€ 626 1598	€ 654 1658	€ 682 1781	€ 707 1862	€ 733 1990
25	636	€ 472 558	€ 477 743	€ 478 923	€ 505 1095	€ 533 1263	€ 587 1425	€ 617 1580	€ 647 1665	€ 676 1728	€ 704 1855	€ 731 1940	€ 758 2073
26	661	€ 485 580	€ 489 772	€ 490 959	€ 519 1139	€ 549 1313	€ 605 1482	€ 635 1643	€ 666 1732	€ 697 1797	€ 727 1929	€ 755 2018	€ 784 2155
27	686	€ 497 602	€ 502 802	€ 503 996	€ 533 1183	€ 564 1364	€ 623 1539	€ 654 1706	€ 687 1798	€ 718 1866	€ 750 2003	€ 779 2095	€ 809 2238
28	711	€ 510 624	€ 515 832	€ 516 1033	€ 547 1226	€ 579 1414	€ 640 1596	€ 673 1770	€ 707 1865	€ 740 1935	€ 772 2078	€ 803 2173	€ 834 2321
29	736	€ 523 647	€ 527 861	€ 528 1070	€ 562 1270	€ 594 1465	€ 658 1653	€ 692 1833	€ 727 1931	€ 762 2004	€ 795 2152	€ 826 2250	€ 860 2404
30	761	€ 535 669	€ 540 891	€ 541 1107	€ 575 1314	€ 609 1515	€ 676 1710	€ 711 1896	€ 747 1998	€ 782 2073	€ 818 2226	€ 850 2328	€ 885 2487
31	786	€ 547 691	€ 552 921	€ 554 1144	€ 589 1358	€ 624 1566	€ 693 1767	€ 730 1959	€ 768 2065	€ 804 2142	€ 840 2300	€ 874 2406	€ 910 2570
32	811	€ 559 714	€ 565 950	€ 566 1181	€ 603 1402	€ 639 1616	€ 711 1824	€ 749 2022	€ 787 2131	€ 825 2211	€ 863 2374	€ 899 2483	€ 935 2653
33	836	€ 572 736	€ 578 980	€ 579 1218	€ 617 1445	€ 654 1667	€ 728 1881	€ 768 2086	€ 808 2198	€ 847 2280	€ 886 2449	€ 923 2561	€ 960 2736
34	861	€ 585 758	€ 590 1010	€ 592 1255	€ 631 1489	€ 670 1717	€ 746 1938	€ 786 2149	€ 828 2264	€ 869 2349	€ 909 2523	€ 946 2638	€ 985 2819
35	886	€ 597 781	€ 603 1040	€ 604 1292	€ 644 1533	€ 685 1768	€ 764 1995	€ 805 2212	€ 848 2331	€ 889 2419	€ 931 2597	€ 970 2716	€ 1.010 2902
36	911	€ 610 803	€ 616 1069	€ 617 1328	€ 658 1577	€ 700 1818	€ 781 2052	€ 824 2275	€ 869 2398	€ 911 2488	€ 954 2671	€ 994 2794	€ 1.035 2984
37	936	€ 623 825	€ 628 1099	€ 630 1365	€ 672 1621	€ 715 1869	€ 799 2109	€ 843 2338	€ 888 2464	€ 932 2557	€ 977 2745	€ 1.018 2871	€ 1.061 3067
38	961	€ 635 847	€ 640 1129	€ 642 1402	€ 686 1664	€ 730 1919	€ 817 2166	€ 862 2402	€ 909 2531	€ 954 2626	€ 999 2820	€ 1.042 2949	€ 1.086 3150
39	986	€ 648 870	€ 653 1158	€ 654 1439	€ 700 1708	€ 745 1970	€ 834 2223	€ 880 2465	€ 929 2597	€ 976 2695	€ 1.022 2894	€ 1.065 3026	€ 1.111 3233
40	1011	€ 661 892	€ 665 1188	€ 666 1476	€ 713 1752	€ 759 2020	€ 851 2280	€ 900 2528	€ 949 2664	€ 996 2764	€ 1.045 2968	€ 1.090 3104	€ 1.137 3316

CORDIVARI® Distributed by RL Products

Prijswijzigingen en drukfouten onder voorbehoud



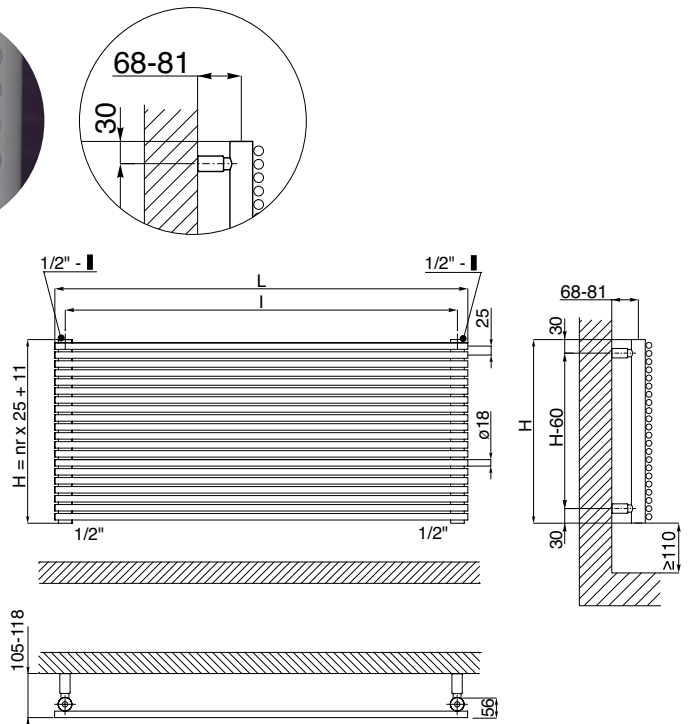
DRL CORDIVARI ALICE HORIZONTAL

NEO DESIGN

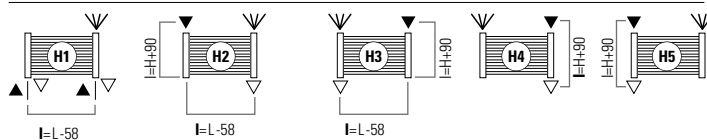


De Cordivari Alice Horizontal - NeoDesign radiator is samengesteld uit verticale ronde collectoren, waar horizontale ronde verwarmingsbuizen op zijn gelast.

Alice is uitgevoerd in gepoedercoat carbon staal en verkrijgbaar in horizontale en verticale uitvoering. De radiator kan worden verfraaid met diverse accessoires, zoals een breed assortiment van Design kranen.



STANDAARDAANSLUITINGEN H



Bij bestelling dient u altijd de gewenste standaard aansluiting op te geven (van H1 tot H5)

LEGENDA

▶ Aanvoer ◁ Retour ◀ Ontluchter H Hoogte | Op het hart L Lengte □ Aansluiting | Blindstop

SPECIALE AANSLUITINGEN H (Prijstoeslag € 62,-)



Bij bestelling dient u altijd de gewenste aansluiting op te geven (van H6 tot H7)

- **Materiaal:** Verticale ronde collectoren uitgevoerd in gecoat carbonstaal met een diameter van Ø 38 mm. Horizontale ronde verwarmingselementen in gecoat carbonstaal Ø 18 mm.
- **Hoogte:** Diverse hoogtematen tussen 500 en 2000 mm.
- **Lengte:** Diverse lengtematen tussen 211 en 1011 mm.
- **Dieptes:** Diepte radiator: 56 mm. Afstand vanaf de muur tot voorkant radiator: 92 mm. Afstand vanaf de muur tot het hart van de aansluiting: 68-81 mm.
- **Aansluitingen:** (2x 1/2") A/R + (1x 1/1/2") ontluchter.
- **P. Max:** 8 bar.
- **Werking:** Centrale verwarming.
- **T. Max:** 110°C.
- **Montageset:** Wandbeugel, ontluchter, zeskant sleutel, pluggen en schroeven voor montage in volle steen of holle wand en gebruikershandleiding.
- **Verpakking:** Beschermd d.m.v. recyclebaar karton, voorzien van polyethyleen folie.

- **Kleur:** Standaardkleur RAL 9010 (gepoedercoat met ecologisch epoxy poeder. (Certificaat DIN 5590-1,-2). Tevens leverbaar in alle CORDIVARI COLORS tegen een meerprijs van 30% per radiator zie pag. 378-379.
- **Garantie:** 5 jaar fabrieksgarantie.
- **SnelSelect:** Door middel van ons SnelSelect-programma kunt u ook via het internet snel, eenvoudig en foutloos selecteren. U kunt het SnelSelect-programma gebruiken via www.snelselect.nl.
- **Kranensets:** DRL DESIGN KRANEN, zie INDEX pag. 6-7.

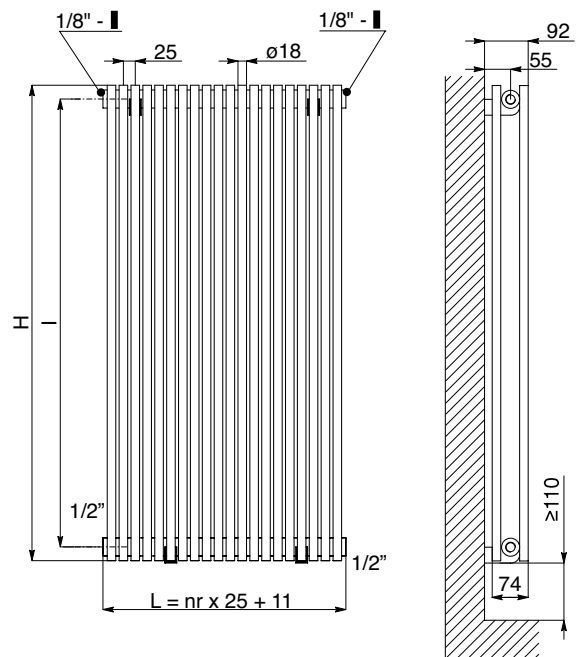
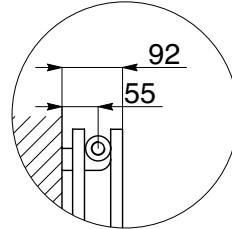


DRL CORDIVARI ALICE HORIZONTAL**NEO DESIGN**

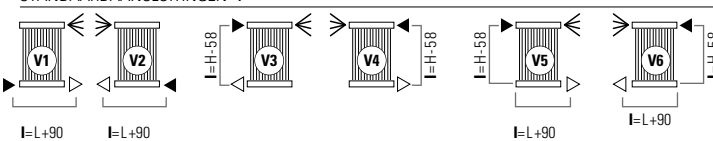
LENGTE L (mm)		500	600	800	1000	1200	1400	1500	1600	1700	1800	1900	2000
GEWICHT per el. (kg)		0,303	0,353	0,453	0,552	0,652	0,751	0,801	0,851	0,901	0,95	1	1,05
INHOUD per el. (l)		0,145	0,164	0,203	0,241	0,279	0,317	0,335	0,356	0,375	0,394	0,413	0,432
LEDEN		Warmteafgifte bij: Watt 75/65/20°C											
AANTAL	HOOGTE H	500	600	800	1000	1200	1400	1500	1600	1700	1800	1900	2000
8	211	€ 257 3534	€ 258 781	€ 263 937	€ 264 1249	€ 271 1561	€ 276 1873	€ 282 2185	€ 288 2342	€ 290 2498	€ 296 2654	€ 304 2810	€ 312 2966
9	236	€ 270 159	€ 271 190	€ 275 254	€ 276 317	€ 285 380	€ 291 444	€ 298 476	€ 305 507	€ 309 539	€ 314 571	€ 325 602	€ 333 634
10	261	€ 282 180	€ 283 215	€ 288 287	€ 289 359	€ 298 431	€ 306 503	€ 314 539	€ 324 574	€ 326 610	€ 333 646	€ 344 682	€ 355 718
11	286	€ 294 201	€ 296 241	€ 301 321	€ 302 401	€ 312 481	€ 322 561	€ 331 602	€ 341 642	€ 343 682	€ 352 722	€ 365 762	€ 377 802
12	311	€ 306 222	€ 309 266	€ 313 354	€ 314 443	€ 326 532	€ 337 620	€ 347 665	€ 358 709	€ 360 753	€ 371 797	€ 385 842	€ 397 886
13	336	€ 319 242	€ 320 290	€ 326 387	€ 327 484	€ 340 581	€ 352 678	€ 364 726	€ 377 774	€ 379 823	€ 390 871	€ 405 920	€ 419 968
14	361	€ 332 263	€ 333 316	€ 339 421	€ 340 526	€ 354 631	€ 367 736	€ 380 789	€ 394 842	€ 396 894	€ 409 947	€ 425 999	€ 440 1052
15	386	€ 344 284	€ 345 341	€ 351 454	€ 352 568	€ 367 682	€ 382 795	€ 396 852	€ 411 909	€ 413 966	€ 428 1022	€ 446 1079	€ 462 1136
16	411	€ 357 305	€ 358 365	€ 364 487	€ 365 609	€ 381 731	€ 397 853	€ 412 914	€ 429 974	€ 432 1035	€ 447 1096	€ 465 1157	€ 483 1218
17	436	€ 370 325	€ 371 390	€ 377 520	€ 378 650	€ 395 780	€ 412 910	€ 429 975	€ 447 1040	€ 449 1105	€ 465 1170	€ 486 1235	€ 504 1300
18	461	€ 382 346	€ 383 415	€ 389 553	€ 390 691	€ 409 829	€ 428 967	€ 446 1037	€ 464 1106	€ 466 1175	€ 485 1244	€ 505 1313	€ 526 1382
19	486	€ 395 366	€ 396 439	€ 402 586	€ 403 732	€ 423 878	€ 443 1025	€ 462 1098	€ 482 1171	€ 485 1244	€ 503 1318	€ 526 1391	€ 547 1464
20	511	€ 408 386	€ 409 463	€ 413 618	€ 416 772	€ 436 926	€ 458 1081	€ 478 1158	€ 500 1235	€ 502 1312	€ 523 1390	€ 546 1467	€ 569 1544
21	536	€ 420 407	€ 421 488	€ 426 650	€ 428 813	€ 450 976	€ 473 1138	€ 495 1220	€ 517 1301	€ 519 1382	€ 541 1463	€ 566 1545	€ 590 1626
22	561	€ 433 427	€ 434 512	€ 439 682	€ 440 853	€ 464 1024	€ 488 1194	€ 511 1280	€ 535 1365	€ 538 1450	€ 559 1535	€ 586 1621	€ 611 1706
23	586	€ 446 447	€ 447 536	€ 451 714	€ 452 893	€ 478 1072	€ 503 1250	€ 527 1340	€ 552 1429	€ 555 1518	€ 579 1607	€ 607 1697	€ 633 1786
24	611	€ 458 466	€ 459 559	€ 464 746	€ 465 932	€ 492 1118	€ 518 1305	€ 543 1398	€ 570 1491	€ 572 1584	€ 597 1678	€ 626 1771	€ 654 1864
25	636	€ 471 486	€ 472 583	€ 477 778	€ 478 972	€ 505 1166	€ 533 1361	€ 559 1458	€ 587 1555	€ 590 1652	€ 617 1750	€ 647 1847	€ 676 1944
26	661	€ 483 506	€ 485 607	€ 489 809	€ 490 1011	€ 519 1213	€ 549 1415	€ 577 1517	€ 605 1618	€ 608 1719	€ 635 1820	€ 666 1921	€ 697 2022
27	686	€ 496 525	€ 497 629	€ 502 839	€ 503 1049	€ 533 1259	€ 564 1469	€ 593 1574	€ 623 1678	€ 625 1783	€ 654 1888	€ 687 1993	€ 718 2098
28	711	€ 509 544	€ 510 653	€ 515 870	€ 516 1088	€ 547 1306	€ 579 1523	€ 609 1632	€ 640 1741	€ 643 1850	€ 673 1958	€ 707 2067	€ 740 2176
29	736	€ 520 563	€ 523 676	€ 527 901	€ 528 1126	€ 562 1351	€ 594 1576	€ 625 1689	€ 658 1802	€ 661 1914	€ 692 2027	€ 727 2139	€ 762 2252
30	761	€ 533 582	€ 535 698	€ 540 931	€ 541 1164	€ 575 1397	€ 609 1630	€ 642 1746	€ 676 1862	€ 678 1979	€ 711 2095	€ 747 2212	€ 782 2328
31	786	€ 546 601	€ 547 721	€ 552 962	€ 554 1202	€ 589 1442	€ 624 1683	€ 658 1803	€ 693 1923	€ 696 2043	€ 730 2164	€ 768 2284	€ 804 2404
32	811	€ 558 620	€ 559 743	€ 565 991	€ 566 1239	€ 603 1487	€ 639 1735	€ 674 1859	€ 711 1982	€ 713 2106	€ 749 2230	€ 787 2354	€ 825 2478
33	836	€ 571 638	€ 572 766	€ 578 1021	€ 579 1276	€ 617 1531	€ 654 1786	€ 690 1914	€ 728 2042	€ 731 2169	€ 768 2297	€ 808 2424	€ 847 2552
34	861	€ 584 657	€ 585 788	€ 590 1050	€ 592 1313	€ 631 1576	€ 670 1838	€ 707 1970	€ 746 2101	€ 749 2232	€ 786 2363	€ 828 2495	€ 869 2626
35	886	€ 596 675	€ 597 809	€ 603 1079	€ 604 1349	€ 644 1619	€ 685 1889	€ 724 2024	€ 764 2158	€ 766 2293	€ 805 2428	€ 848 2563	€ 889 2698
36	911	€ 609 693	€ 610 831	€ 616 1108	€ 617 1385	€ 658 1662	€ 700 1939	€ 740 2078	€ 781 2216	€ 784 2355	€ 824 2493	€ 869 2632	€ 911 2770
37	936	€ 621 711	€ 623 853	€ 628 1137	€ 630 1421	€ 672 1705	€ 715 1989	€ 756 2132	€ 799 2274	€ 802 2416	€ 843 2558	€ 888 2700	€ 932 2842
38	961	€ 634 728	€ 635 874	€ 640 1165	€ 642 1456	€ 686 1747	€ 730 2038	€ 772 2184	€ 817 2330	€ 819 2475	€ 862 2621	€ 909 2766	€ 954 2912
39	986	€ 647 746	€ 648 895	€ 653 1193	€ 654 1491	€ 700 1789	€ 745 2087	€ 789 2237	€ 834 2386	€ 837 2535	€ 880 2684	€ 929 2833	€ 976 2982
40	1011	€ 659 763	€ 661 916	€ 665 1221	€ 666 1526	€ 713 1831	€ 759 2136	€ 805 2289	€ 851 2442	€ 855 2594	€ 900 2747	€ 949 2899	€ 996 3052

DRL CORDIVARI ALICE TANDEM VERTICAL

NEO DESIGN



STANDAARDAANSLUITINGEN V

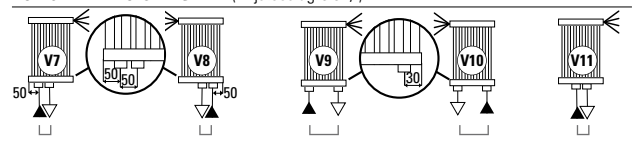


Bij bestelling dient u altijd de gewenste standaard aansluiting op te geven: (van V1 tot V6).

LEGENDA

► Aanvoer ◄ Retour ◀ Ontluchter H Hoogte I Op het hart L Lengte □ Aansluiting | Blindstop

SPECIALE AANSLUITINGEN V (Prijstoeslag € 62,-)



Bij bestelling dient u altijd de gewenste aansluiting op te geven: (van V7, V8, V9, V10, V11).

- **Materiaal:** Horizontale ronde collectoren uitgevoerd in gecoat carbonstaal met een diameter van Ø 38 mm. Dubbele rij verticale ronde verwarmingselementen in gecoat carbonstaal Ø 18 mm.
- **Hoogte:** Diverse hoogtematen tussen 600 en 2500 mm.
- **Lengte:** Diverse lengtematen tussen 136 en 1011 mm.
- **Dieptes:** Diepte radiator: 74 mm. Afstand vanaf de muur tot voorkant radiator: 92 mm. Afstand vanaf de muur tot het hart van de aansluiting: 55 mm.
- **Aansluitingen:** (2x 1/2") A/R + (1x 1/8") ontluchter.
- **P. Max:** 8 bar.
- **Werking:** Centrale verwarming.
- **T. Max:** 110°C.
- **Montageset:** Wandbeugel, ontluchter, zeskant sleutel, pluggen en schroeven voor montage in volle steen of holle wand en gebruikershandleiding.
- **Verpakking:** Beschermd d.m.v. recyclebaar karton, voorzien van polyethyleen folie.

- **Kleur:** Standaardkleur RAL 9010 (gepoedercoat met ecologisch epoxy poeder. Certificaat DIN 5590-1,-2). Tevens leverbaar in alle CORDIVARI COLORS tegen een meerprijs van 30% per radiator zie pag. 378-379.
- **Garantie:** 5 jaar fabrieksgarantie.
- **SnelSelect:** Door middel van ons SnelSelect-programma kunt u ook via het internet snel, eenvoudig en foutloos selecteren. U kunt het SnelSelect-programma gebruiken via www.snelselect.nl.
- **Kranensets:** DRL DESIGN KRANEN, zie INDEX pag. 6-7.



DRL CORDIVARI ALICE TANDEM VERTICAL

NEO DESIGN

HOOGTE H (mm)	600	800	1000	1200	1400	1600	1800	1900	2000	2200	2300	2500	
GEWICHT per el. (kg)	0,652	0,851	1,05	1,249	1,448	1,647	1,846	1,945	2,045	2,244	2,344	2,543	
INHOUD per el. (l)	0,279	0,356	0,432	0,508	0,585	0,661	0,738	0,776	0,814	0,891	0,929	1,005	
LEDEN Warmteafgifte bij: Watt 75/65/20°C													
AANTAL	LENGTE L	600	800	1000	1200	1400	1600	1800	1900	2000	2200	2300	2500
5	136	€ 327 178	€ 342 227	€ 363 275	€ 368 320	€ 375 365	€ 386 408	€ 393 451	€ 396 474	€ 404 492	€ 409 525	€ 411 550	€ 412 590
6	161	€ 344 213	€ 359 272	€ 380 329	€ 389 384	€ 395 437	€ 408 490	€ 413 541	€ 419 569	€ 429 590	€ 437 630	€ 440 660	€ 446 708
7	186	€ 363 249	€ 378 318	€ 397 384	€ 409 448	€ 416 510	€ 429 571	€ 435 631	€ 442 664	€ 454 688	€ 466 735	€ 470 770	€ 478 826
8	211	€ 380 284	€ 395 363	€ 416 439	€ 429 512	€ 435 583	€ 450 653	€ 457 721	€ 464 758	€ 479 786	€ 496 840	€ 498 880	€ 511 944
9	236	€ 397 320	€ 412 409	€ 433 494	€ 449 576	€ 456 656	€ 472 734	€ 478 811	€ 487 853	€ 504 885	€ 525 945	€ 527 990	€ 543 1062
10	261	€ 416 355	€ 431 454	€ 450 549	€ 470 640	€ 475 729	€ 493 816	€ 500 901	€ 510 948	€ 529 983	€ 554 1050	€ 556 1100	€ 577 1180
11	286	€ 433 391	€ 448 499	€ 469 604	€ 489 704	€ 496 802	€ 515 898	€ 520 991	€ 532 1043	€ 555 1081	€ 582 1155	€ 585 1210	€ 609 1298
12	311	€ 450 426	€ 465 545	€ 486 659	€ 510 768	€ 516 875	€ 536 979	€ 542 1081	€ 555 1138	€ 580 1180	€ 611 1260	€ 613 1320	€ 642 1416
13	336	€ 469 462	€ 483 590	€ 503 714	€ 529 832	€ 536 948	€ 557 1061	€ 578 1171	€ 578 1232	€ 605 1278	€ 640 1365	€ 643 1430	€ 674 1534
14	361	€ 486 497	€ 501 636	€ 520 769	€ 550 896	€ 556 1021	€ 579 1142	€ 585 1261	€ 600 1327	€ 631 1376	€ 670 1470	€ 672 1540	€ 707 1652
15	386	€ 503 533	€ 518 681	€ 539 824	€ 570 960	€ 577 1094	€ 600 1224	€ 607 1352	€ 623 1422	€ 656 1475	€ 699 1575	€ 701 1650	€ 740 1770
16	411	€ 520 568	€ 536 726	€ 556 878	€ 590 1024	€ 596 1166	€ 621 1306	€ 628 1442	€ 646 1517	€ 680 1573	€ 727 1680	€ 730 1760	€ 772 1888
17	436	€ 539 604	€ 554 772	€ 573 933	€ 610 1088	€ 617 1239	€ 643 1387	€ 649 1532	€ 669 1612	€ 705 1671	€ 756 1785	€ 758 1870	€ 805 2006
18	461	€ 556 639	€ 571 817	€ 592 988	€ 631 1152	€ 636 1312	€ 664 1469	€ 671 1622	€ 690 1706	€ 731 1769	€ 785 1890	€ 787 1980	€ 838 2124
19	486	€ 573 675	€ 589 863	€ 609 1043	€ 650 1216	€ 657 1385	€ 686 1550	€ 692 1712	€ 713 1801	€ 756 1868	€ 814 1995	€ 817 2090	€ 871 2242
20	511	€ 592 710	€ 607 908	€ 626 1098	€ 671 1280	€ 677 1458	€ 707 1632	€ 713 1802	€ 736 1896	€ 781 1966	€ 843 2100	€ 846 2200	€ 903 2360
21	536	€ 609 746	€ 624 953	€ 644 1153	€ 690 1344	€ 697 1531	€ 728 1714	€ 735 1892	€ 758 1991	€ 807 2064	€ 872 2205	€ 874 2310	€ 937 2478
22	561	€ 626 781	€ 642 999	€ 662 1208	€ 711 1408	€ 717 1604	€ 750 1795	€ 756 1982	€ 781 2086	€ 832 2163	€ 901 2310	€ 903 2420	€ 969 2596
23	586	€ 644 817	€ 659 1044	€ 679 1263	€ 731 1472	€ 738 1677	€ 771 1877	€ 778 2072	€ 804 2180	€ 857 2261	€ 930 2415	€ 932 2530	€ 1.002 2714
24	611	€ 662 852	€ 677 1090	€ 697 1318	€ 751 1536	€ 757 1750	€ 793 1958	€ 799 2162	€ 826 2275	€ 883 2359	€ 958 2520	€ 962 2640	€ 1.034 2832
25	636	€ 679 888	€ 695 1135	€ 715 1373	€ 771 1600	€ 778 1823	€ 814 2040	€ 820 2253	€ 849 2370	€ 907 2458	€ 988 2625	€ 991 2750	€ 1.067 2950
26	661	€ 697 923	€ 712 1180	€ 732 1427	€ 792 1664	€ 797 1895	€ 835 2122	€ 842 2343	€ 872 2465	€ 932 2556	€ 1.017 2730	€ 1.019 2860	€ 1.100 3068
27	686	€ 715 959	€ 730 1226	€ 750 1482	€ 811 1728	€ 818 1968	€ 857 2203	€ 863 2433	€ 895 2560	€ 957 2654	€ 1.046 2835	€ 1.048 2970	€ 1.132 3186
28	711	€ 732 994	€ 747 1271	€ 768 1537	€ 832 1792	€ 838 2041	€ 878 2285	€ 885 2523	€ 917 2654	€ 983 2752	€ 1.075 2940	€ 1.077 3080	€ 1.165 3304
29	736	€ 750 1030	€ 765 1317	€ 785 1592	€ 851 1856	€ 858 2114	€ 900 2366	€ 906 2613	€ 940 2749	€ 1.008 2851	€ 1.103 3045	€ 1.106 3190	€ 1.198 3422
30	761	€ 768 1065	€ 782 1362	€ 803 1647	€ 872 1920	€ 878 2187	€ 922 2448	€ 927 2703	€ 963 2844	€ 1.033 2949	€ 1.132 3150	€ 1.136 3300	€ 1.231 3540
31	786	€ 785 1101	€ 800 1407	€ 820 1702	€ 892 1984	€ 899 2260	€ 942 2530	€ 949 2793	€ 985 2939	€ 1.058 3047	€ 1.162 3255	€ 1.164 3410	€ 1.263 3658
32	811	€ 803 1136	€ 818 1453	€ 838 1757	€ 912 2048	€ 918 2333	€ 964 2611	€ 970 2883	€ 1.008 3034	€ 1.084 3146	€ 1.191 3360	€ 1.193 3520	€ 1.297 3776
34	861	€ 838 1207	€ 853 1544	€ 873 1867	€ 953 2176	€ 958 2479	€ 1.007 2774	€ 1.012 3063	€ 1.053 3223	€ 1.133 3342	€ 1.248 3570	€ 1.251 3850	€ 1.362 4012
35	886	€ 856 1243	€ 871 1589	€ 891 1922	€ 972 2240	€ 979 2552	€ 1.029 2856	€ 1.034 3154	€ 1.076 3318	€ 1.159 3441	€ 1.277 3675	€ 1.279 3850	€ 1.394 4130
36	911	€ 873 1278	€ 888 1634	€ 909 1976	€ 993 2304	€ 999 2624	€ 1.049 2938	€ 1.056 3244	€ 1.099 3413	€ 1.184 3539	€ 1.306 3780	€ 1.309 3960	€ 1.426 4248
38	961	€ 909 1349	€ 924 1725	€ 943 2086	€ 1.033 2432	€ 1.039 2770	€ 1.092 3101	€ 1.099 3424	€ 1.144 3602	€ 1.234 3735	€ 1.364 3990	€ 1.367 4180	€ 1.492 4464
40	1011	€ 943 1420	€ 958 1816	€ 979 2196	€ 1.073 2560	€ 1.079 2916	€ 1.136 3264	€ 1.141 3604	€ 1.190 3792	€ 1.285 3932	€ 1.422 4200	€ 1.424 4400	€ 1.558 4720

CORDIVARI® Distributed by RL Products

Prijswijzigingen en drukfouten onder voorbehoud



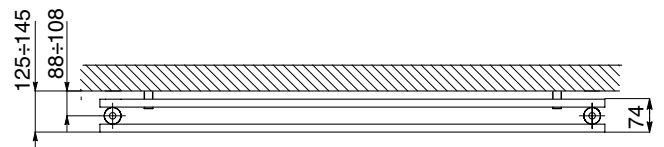
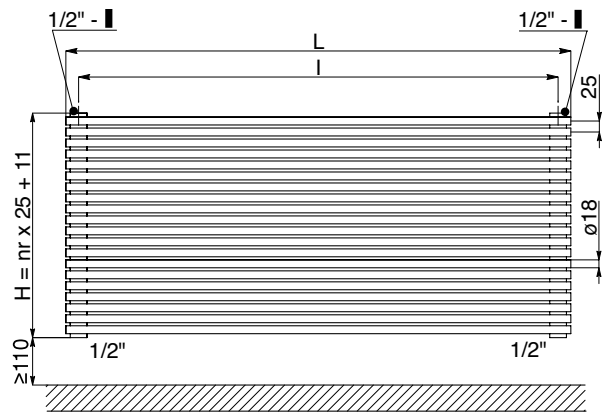
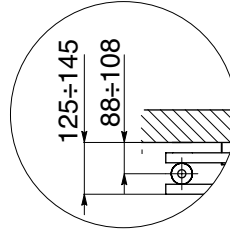
DRL CORDIVARI ALICE TANDEM HORIZONTAL

NEO DESIGN

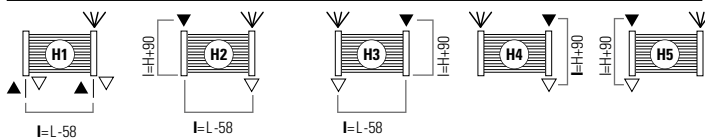


De Cordivari Alice Tandem Horizontal - NeoDesign radiator is een variatie op de Alice radiator en is samengesteld uit verticale ronde collectoren, waar een dubbele rij horizontale ronde verwarmingsbuizen op zijn gelast.

Alice is uitgevoerd in gepoedercoat carbon staal en verkrijgbaar in horizontale en verticale uitvoering. De radiator kan worden verfraaid met diverse accessoires, zoals een breed assortiment van Design kranen.



STANDAARDAANSLUITINGEN H



Bij bestelling dient u altijd de gewenste standaard aansluiting op te geven (van H1 tot H5)

LEGENDA

▶ Aanvoer ◀ Retour ◀ Ontluchter H Hoogte I Op het hart L Lengte □ Aansluiting | Blindstop

SPECIALE AANSLUITINGEN H (Prijstoeslag € 62,-)



Bij bestelling dient u altijd de gewenste aansluiting op te geven (van H6 tot H7)

- **Materiaal:** Verticale ronde collectoren uitgevoerd in gecoat carbonstaal met een diameter van \varnothing 38 mm.
Horizontale ronde verwarmingselementen in gecoat carbonstaal \varnothing 18mm.
- **Hoogte:** Diverse hoogtematen tussen 500 en 2000 mm.
- **Lengte:** Diverse lengtematen tussen 211 en 1011 mm.
- **Dieptes:** Diepte radiator: 56 mm.
Afstand vanaf de muur tot voorkant radiator: 125-145 mm.
Afstand vanaf de muur tot het hart van de aansluiting: 88-108 mm.
- **Aansluitingen:** (2x 1/2") A/R + (1x 1/2") ontluchter.
- **P. Max:** 8 bar.
- **Werking:** Centrale verwarming.
- **T. Max:** 110°C.
- **Montageset:** Wandbeugel, ontluchter, zeskant sleutel, pluggen en schroeven voor montage in volle steen of holle wand en gebruikershandleiding.
- **Verpakking:** Beschermd d.m.v. recyclebaar karton, voorzien van polyethyleen folie.

- **Kleur:** Standaardkleur RAL 9010 (gepoedercoat met ecologisch epoxy poeder. Certificaat DIN 5590-1,-2). Tevens leverbaar in alle CORDIVARI COLORS tegen een meerprijs van 30% per radiator zie pag. 378-379.
- **Garantie:** 5 jaar fabrieksgarantie.
- **SnelSelect:** Door middel van ons SnelSelect-programma kunt u ook via het internet snel, eenvoudig en foutloos selecteren. U kunt het SnelSelect-programma gebruiken via www.snelselect.nl.
- **Kranensets:** DRL DESIGN KRANEN, zie INDEX pag. 6-7.



DRL CORDIVARI ALICE TANDEM HORIZONTAL

NEO DESIGN

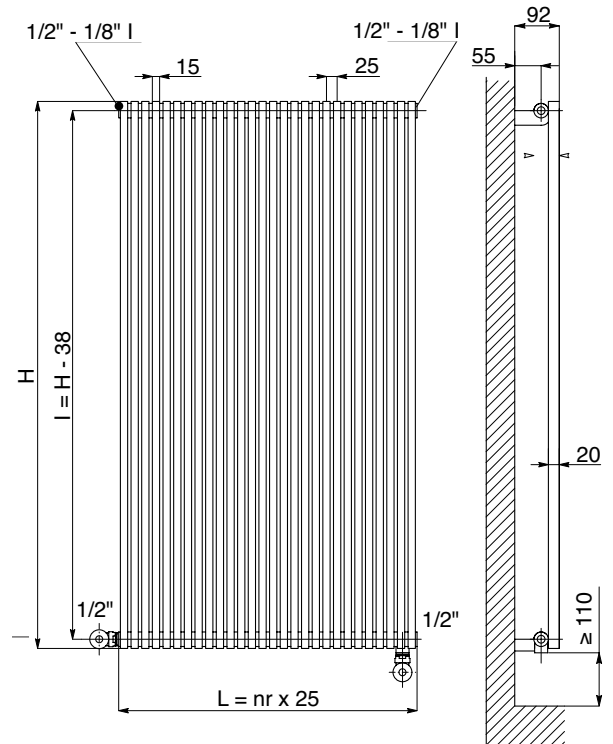
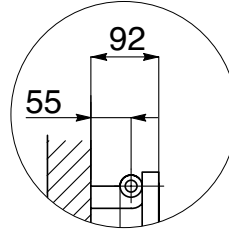
LENGTE L (mm)		500	600	800	1000	1200	1400	1500	1600	1700	1800	1900	2000
GEWICHT per el. (kg)		0,552	0,652	0,851	1,05	1,249	1,448	1,547	1,647	1,746	1,846	1,945	2,045
INHOUD per el. (l)		0,241	0,279	0,356	0,432	0,508	0,585	0,623	0,661	0,7	0,738	0,776	0,814
LEDEN		Warmteafgifte bij: Watt 75/65/20°C											
AANTAL	HOOGTE H	500	600	800	1000	1200	1400	1500	1600	1700	1800	1900	2000
8	211	€ 365	€ 380	€ 395	€ 416	€ 429	€ 435	€ 448	€ 450	€ 454	€ 457	€ 464	€ 479
		270	323	431	539	647	755	809	862	916	970	1024	1078
9	236	€ 382	€ 397	€ 412	€ 433	€ 449	€ 456	€ 470	€ 472	€ 475	€ 478	€ 487	€ 504
		299	358	478	597	716	836	896	955	1015	1075	1134	1194
10	261	€ 400	€ 416	€ 431	€ 450	€ 470	€ 475	€ 490	€ 493	€ 497	€ 500	€ 510	€ 529
		328	393	524	655	786	917	983	1048	1114	1179	1245	1310
11	286	€ 418	€ 433	€ 448	€ 469	€ 489	€ 496	€ 512	€ 515	€ 518	€ 520	€ 532	€ 555
		356	427	569	711	853	995	1067	1138	1209	1280	1351	1422
12	311	€ 435	€ 450	€ 465	€ 486	€ 510	€ 516	€ 533	€ 536	€ 540	€ 542	€ 555	€ 580
		383	460	613	766	919	1072	1149	1226	1302	1379	1455	1532
13	336	€ 452	€ 469	€ 483	€ 503	€ 529	€ 536	€ 555	€ 557	€ 562	€ 564	€ 578	€ 605
		411	493	657	821	985	1149	1232	1314	1396	1478	1560	1642
14	361	€ 471	€ 486	€ 501	€ 520	€ 550	€ 556	€ 577	€ 579	€ 582	€ 585	€ 600	€ 631
		438	525	700	875	1050	1225	1313	1400	1488	1575	1663	1750
15	386	€ 488	€ 503	€ 518	€ 539	€ 570	€ 577	€ 597	€ 600	€ 604	€ 607	€ 623	€ 656
		464	556	742	927	1112	1298	1391	1483	1576	1669	1761	1854
16	411	€ 505	€ 520	€ 536	€ 556	€ 590	€ 596	€ 619	€ 621	€ 625	€ 628	€ 646	€ 680
		490	587	783	979	1175	1371	1469	1566	1664	1762	1860	1958
17	436	€ 524	€ 539	€ 554	€ 573	€ 610	€ 617	€ 640	€ 643	€ 647	€ 649	€ 669	€ 705
		516	619	825	1031	1237	1443	1547	1650	1753	1856	1959	2062
18	461	€ 541	€ 556	€ 571	€ 592	€ 631	€ 636	€ 662	€ 664	€ 669	€ 671	€ 690	€ 731
		541	649	865	1081	1297	1513	1622	1730	1838	1946	2054	2162
19	486	€ 558	€ 573	€ 589	€ 609	€ 650	€ 657	€ 684	€ 686	€ 689	€ 692	€ 713	€ 756
		566	679	905	1131	1357	1583	1697	1810	1923	2036	2149	2262
20	511	€ 577	€ 592	€ 607	€ 626	€ 671	€ 677	€ 704	€ 707	€ 711	€ 713	€ 736	€ 781
		591	709	945	1181	1417	1653	1772	1890	2008	2126	2244	2362
21	536	€ 594	€ 609	€ 624	€ 644	€ 690	€ 697	€ 726	€ 728	€ 732	€ 735	€ 758	€ 807
		615	737	983	1229	1475	1721	1844	1966	2089	2212	2335	2458
22	561	€ 611	€ 626	€ 642	€ 662	€ 711	€ 717	€ 747	€ 750	€ 754	€ 756	€ 781	€ 832
		639	766	1022	1277	1532	1788	1916	2043	2171	2299	2420	2554
23	586	€ 630	€ 644	€ 659	€ 679	€ 731	€ 738	€ 769	€ 771	€ 776	€ 778	€ 804	€ 857
		662	794	1059	1324	1589	1854	1986	2118	2251	2383	2516	2648
24	611	€ 647	€ 662	€ 677	€ 697	€ 751	€ 757	€ 791	€ 793	€ 796	€ 799	€ 826	€ 883
		686	823	1097	1371	1645	1919	2057	2194	2331	2468	2605	2742
25	636	€ 664	€ 679	€ 695	€ 715	€ 771	€ 778	€ 811	€ 814	€ 818	€ 820	€ 849	€ 907
		709	850	1134	1417	1700	1984	2126	2267	2409	2551	2692	2834
26	661	€ 682	€ 697	€ 712	€ 732	€ 792	€ 797	€ 833	€ 835	€ 839	€ 842	€ 872	€ 932
		732	878	1170	1463	1756	2048	2195	2341	2487	2633	2780	2926
27	686	€ 700	€ 715	€ 730	€ 750	€ 811	€ 818	€ 855	€ 857	€ 861	€ 863	€ 895	€ 957
		754	905	1206	1508	1810	2111	2262	2413	2564	2714	2865	3016
28	711	€ 717	€ 732	€ 747	€ 768	€ 832	€ 838	€ 876	€ 878	€ 883	€ 885	€ 917	€ 983
		777	932	1242	1553	1864	2174	2330	2485	2640	2795	2951	3106
29	736	€ 735	€ 750	€ 765	€ 785	€ 851	€ 858	€ 897	€ 900	€ 903	€ 906	€ 940	€ 1.008
		798	958	1277	1596	1915	2234	2394	2554	2713	2873	3032	3192
30	761	€ 753	€ 768	€ 782	€ 803	€ 872	€ 878	€ 918	€ 922	€ 925	€ 927	€ 963	€ 1.033
		820	984	1312	1640	1968	2296	2460	2624	2788	2952	3116	3280
31	786	€ 770	€ 785	€ 800	€ 820	€ 892	€ 899	€ 940	€ 942	€ 946	€ 949	€ 985	€ 1.058
		842	1010	1346	1683	2020	2356	2525	2693	2861	3029	3198	3366
32	811	€ 787	€ 803	€ 818	€ 838	€ 912	€ 918	€ 962	€ 964	€ 968	€ 970	€ 1.008	€ 1.084
		863	1035	1380	1725	2070	2415	2588	2760	2933	3105	3278	3450
33	836	€ 805	€ 820	€ 835	€ 856	€ 932	€ 939	€ 983	€ 985	€ 989	€ 992	€ 1.031	€ 1.109
		884	1060	1414	1767	2120	2474	2651	2827	3004	3181	3357	3534
34	861	€ 823	€ 838	€ 853	€ 873	€ 953	€ 958	€ 1.004	€ 1.007	€ 1.010	€ 1.012	€ 1.053	€ 1.133
		905	1085	1447	1809	2171	2533	2714	2894	3075	3256	3437	3618
35	886	€ 840	€ 856	€ 871	€ 891	€ 972	€ 979	€ 1.025	€ 1.029	€ 1.032	€ 1.034	€ 1.076	€ 1.159
		925	1110	1480	1850	2220	2590	2775	2960	3145	3330	3515	3700
36	911	€ 858	€ 873	€ 888	€ 909	€ 993	€ 999	€ 1.047	€ 1.049	€ 1.053	€ 1.056	€ 1.099	€ 1.184
		945	1134	1512	1890	2268	2646	2835	3024	3213	3402	3591	3780
37	936	€ 876	€ 891	€ 906	€ 926	€ 1.012	€ 1.019	€ 1.069	€ 1.071	€ 1.075	€ 1.077	€ 1.122	€ 1.209
		965	1158	1544	1930	2316	2702	2895	3088	3281	3474	3667	3860
38	961	€ 893	€ 909	€ 924	€ 943	€ 1.033	€ 1.039	€ 1.090	€ 1.092	€ 1.096	€ 1.099	€ 1.144	€ 1.234
		985	1182	1576	1970	2364	2758	2955	3152	3349	3546	3743	3940
39	986	€ 911	€ 926	€ 941	€ 962	€ 1.053	€ 1.060	€ 1.111	€ 1.114	€ 1.117	€ 1.119	€ 1.167	€ 1.260
		1005	1205	1607	2009	2411	2813	3014	3214	3415	3616	3817	4018
40	1011	€ 929	€ 943	€ 958	€ 979	€ 1.073	€ 1.079	€ 1.132	€ 1.136	€ 1.139	€ 1.141	€ 1.190	€ 1.285
		1024	1228	1638	2047	2456	2866	3071	3275	3480	3685	3889	4094

DRL CORDIVARI KARIN VX VERTICAL

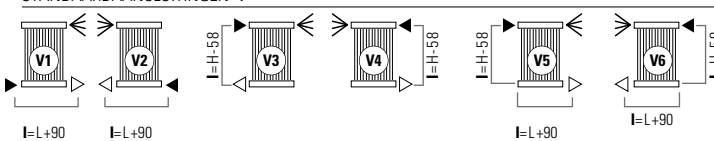
NEO DESIGN



De Cordivari Karin VX Vertical - NeoDesign radiator is samengesteld uit horizontale ronde collectoren, waar een rij verticale platte verwarmingselementen op zijn gelast. Karin VX is uitgevoerd in gepoedercoat carbon staal en verkrijgbaar in verticale uitvoering. De radiator kan worden verfraaid met diverse accessoires, zoals een breed assortiment van Design kranen.



STANDAARDAANSLUITINGEN V

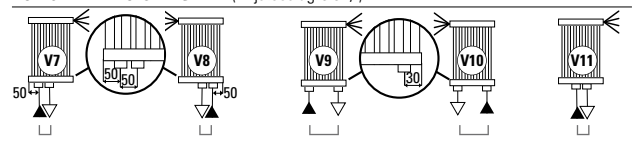


Bij bestelling dient u altijd de gewenste standaard aansluiting op te geven: (van V1 tot V6).

LEGENDA

► Aanvoer ◄ Retour ◀ Ontluchter H Hoogte I Op het hart L Lengte □ Aansluiting | Blindstop

SPECIALE AANSLUITINGEN V (Prijstoeslag € 62,-)



Bij bestelling dient u altijd de gewenste aansluiting op te geven: (van V7, V8, V9, V10, V11).

- **Materiaal:** Horizontale collectoren uitgevoerd in gecoat carbonstaal met een diameter van Ø 30 mm. Verticale rechthoekige verwarmingselementen in gecoat carbonstaal 15x20 mm.
- **Hoogte:** Diverse hoogtematen tussen 600 en 2500 mm.
- **Lengte:** Diverse lengtematen tussen 200 en 1800 mm.
- **Dieptes:** Diepte radiator: 20 mm. Afstand vanaf de muur tot voorkant radiator: 90 mm. Afstand vanaf de muur tot het hart van de aansluiting: 55 mm.
- **Aansluitingen:** (2x 1/2") A/R + (1x 1/8") ontluchter.
- **P. Max:** 8 bar.
- **Werking:** Centrale verwarming.
- **T. Max:** 110°C.
- **Montageset:** Wandbeugel, ontluchter, zeskant sleutel, pluggen en schroeven voor montage in volle steen of holle wand en gebruikershandleiding.
- **Verpakking:** Beschermd d.m.v. recyclebaar karton, voorzien van polyethyleen folie.

- **Kleur:** Standaardkleur RAL 9010 (gepoedercoat met ecologisch epoxy poeder. Certificaat DIN 5590-1,-2). Tevens leverbaar in alle CORDIVARI COLORS tegen een meerprijs van 30% per radiator zie pag. 378-379.
- **Garantie:** 5 jaar fabrieksgarantie.
- **SnelSelect:** Door middel van ons SnelSelect-programma kunt u ook via het internet snel, eenvoudig en foutloos selecteren. U kunt het SnelSelect-programma gebruiken via www.snelselect.nl.
- **Kranensets:** DRL DESIGN KRANEN, zie INDEX pag. 6-7.



DRL CORDIVARI KARIN VX VERTICAL

NEO DESIGN

HOOGTE H (mm)	600	800	1000	1200	1400	1600	1800	1900	2000	2200	2300	2500	
GEWICHT per el. (kg)	0,389	0,501	0,613	0,725	0,837	0,949	1,061	1,117	1,173	1,285	1,341	1,453	
INHOUD per el. (l)	0,162	0,206	0,25	0,295	0,339	0,383	0,428	0,45	0,472	0,516	0,539	0,583	
LEDEN Warmteafgifte bij: Watt 75/65/20°C													
AANTAL	LENGTE L	600	800	1000	1200	1400	1600	1800	1900	2000	2200	2300	2500
8	200	€ 393 191	€ 396 247	€ 398 302	€ 410 357	€ 412 412	€ 419 466	€ 421 521	€ 449 548	€ 450 576	€ 457 631	€ 466 659	€ 472 710
10	250	€ 417 239	€ 423 309	€ 426 378	€ 440 448	€ 446 515	€ 452 582	€ 457 651	€ 487 685	€ 489 720	€ 503 789	€ 516 824	€ 523 894
12	300	€ 440 287	€ 449 369	€ 454 454	€ 471 536	€ 478 618	€ 487 698	€ 492 781	€ 525 822	€ 528 864	€ 550 946	€ 565 988	€ 572 1072
14	350	€ 464 335	€ 475 433	€ 482 529	€ 501 624	€ 511 720	€ 520 815	€ 527 911	€ 563 959	€ 567 1008	€ 596 1104	€ 613 1153	€ 623 1251
16	400	€ 488 383	€ 502 495	€ 510 605	€ 531 713	€ 543 823	€ 555 931	€ 563 1042	€ 600 1096	€ 607 1152	€ 643 1262	€ 663 1318	€ 673 1430
18	450	€ 512 431	€ 528 557	€ 538 680	€ 562 802	€ 577 926	€ 589 1048	€ 597 1172	€ 638 1233	€ 646 1296	€ 689 1420	€ 712 1483	€ 724 1609
20	500	€ 536 478	€ 555 618	€ 565 756	€ 592 891	€ 609 1029	€ 623 1164	€ 633 1302	€ 676 1370	€ 685 1440	€ 736 1577	€ 762 1647	€ 773 1787
22	550	€ 559 526	€ 581 680	€ 593 832	€ 621 980	€ 642 1132	€ 657 1281	€ 669 1432	€ 713 1507	€ 724 1584	€ 782 1735	€ 810 1812	€ 824 1966
24	600	€ 584 574	€ 608 742	€ 620 907	€ 651 1070	€ 674 1236	€ 690 1397	€ 703 1562	€ 751 1644	€ 763 1728	€ 830 1893	€ 860 1977	€ 874 2145
26	650	€ 608 622	€ 634 804	€ 648 983	€ 682 1159	€ 707 1338	€ 725 1514	€ 739 1693	€ 789 1781	€ 802 1872	€ 876 2051	€ 909 2142	€ 925 2324
28	700	€ 632 670	€ 661 866	€ 676 1058	€ 712 1248	€ 740 1441	€ 758 1630	€ 773 1823	€ 826 1918	€ 840 2016	€ 923 2208	€ 957 2306	€ 976 2502
30	750	€ 656 718	€ 687 928	€ 703 1134	€ 742 1337	€ 772 1544	€ 793 1747	€ 809 1953	€ 864 2055	€ 879 2160	€ 969 2366	€ 1.007 2471	€ 1.025 2681
32	800	€ 679 765	€ 713 989	€ 731 1210	€ 772 1428	€ 805 1646	€ 826 1863	€ 845 2083	€ 902 2191	€ 918 2303	€ 1.016 2524	€ 1.056 2636	€ 1.076 2860
34	850	€ 703 813	€ 740 1051	€ 758 1285	€ 803 1515	€ 838 1749	€ 861 1979	€ 879 2213	€ 940 2328	€ 957 2447	€ 1.062 2681	€ 1.104 2800	€ 1.126 3038
36	900	€ 727 861	€ 766 1113	€ 786 1361	€ 833 1604	€ 871 1852	€ 895 2096	€ 915 2344	€ 978 2465	€ 996 2591	€ 1.109 2839	€ 1.154 2965	€ 1.177 3217
38	950	€ 751 909	€ 793 1175	€ 814 1436	€ 863 1694	€ 903 1955	€ 929 2212	€ 950 2474	€ 1.016 2602	€ 1.035 2735	€ 1.155 2997	€ 1.203 3130	€ 1.226 3396
40	1000	€ 776 957	€ 819 1237	€ 842 1512	€ 893 1783	€ 937 2058	€ 963 2329	€ 985 2604	€ 1.053 2739	€ 1.075 2879	€ 1.202 3155	€ 1.252 3295	€ 1.277 3575
42	1050	€ 799 1005	€ 846 1299	€ 870 1588	€ 924 1872	€ 969 2161	€ 996 2445	€ 1.021 2734	€ 1.091 3073	€ 1.114 3312	€ 1.248 3312	€ 1.301 3459	€ 1.328 3753
44	1100	€ 823 1052	€ 872 1360	€ 897 1663	€ 954 1961	€ 1.002 2264	€ 1.031 2562	€ 1.056 2864	€ 1.129 3013	€ 1.153 3167	€ 1.295 3470	€ 1.351 3624	€ 1.378 3932
46	1150	€ 847 1100	€ 899 1422	€ 925 1739	€ 984 2050	€ 1.034 2367	€ 1.064 2678	€ 1.091 2995	€ 1.167 3150	€ 1.192 3311	€ 1.341 3628	€ 1.399 3789	€ 1.429 4111
48	1200	€ 871 1148	€ 925 1484	€ 953 1814	€ 1.014 2139	€ 1.067 2470	€ 1.099 2794	€ 1.126 3125	€ 1.205 3287	€ 1.231 3455	€ 1.389 3786	€ 1.448 3954	€ 1.478 4290
50	1250	€ 895 1196	€ 952 1546	€ 980 1890	€ 1.045 2228	€ 1.100 2573	€ 1.132 2911	€ 1.162 3255	€ 1.242 3424	€ 1.270 3599	€ 1.435 3943	€ 1.498 4118	€ 1.529 4468
52	1300	€ 918 1244	€ 978 1608	€ 1.008 1966	€ 1.075 2317	€ 1.132 2675	€ 1.167 3027	€ 1.196 3385	€ 1.279 3561	€ 1.309 3743	€ 1.482 4101	€ 1.546 4283	€ 1.579 4647
54	1350	€ 942 1292	€ 1.004 1670	€ 1.035 2041	€ 1.104 2407	€ 1.165 2778	€ 1.200 3144	€ 1.232 3515	€ 1.317 3698	€ 1.348 3887	€ 1.528 4259	€ 1.596 4448	€ 1.630 4826
56	1400	€ 966 1339	€ 1.031 1731	€ 1.063 2117	€ 1.136 2496	€ 1.198 2981	€ 1.234 3260	€ 1.267 3646	€ 1.355 3835	€ 1.386 4031	€ 1.574 4417	€ 1.645 4613	€ 1.679 5005
58	1450	€ 991 1387	€ 1.057 1793	€ 1.091 2192	€ 1.165 2585	€ 1.231 2984	€ 1.269 3377	€ 1.302 3775	€ 1.393 3972	€ 1.425 4175	€ 1.621 4574	€ 1.693 4777	€ 1.730 5183
60	1500	€ 1.014 1435	€ 1.084 1855	€ 1.118 2258	€ 1.195 2674	€ 1.263 3087	€ 1.302 3493	€ 1.338 3906	€ 1.431 4109	€ 1.464 4319	€ 1.667 4732	€ 1.743 4942	€ 1.781 5362
62	1550	€ 1.038 1483	€ 1.110 1917	€ 1.146 2344	€ 1.225 2763	€ 1.297 3190	€ 1.337 3609	€ 1.372 4036	€ 1.469 4246	€ 1.504 4463	€ 1.714 4890	€ 1.792 5107	€ 1.831 5541
64	1600	€ 1.062 1531	€ 1.137 1979	€ 1.173 2419	€ 1.256 2852	€ 1.329 3293	€ 1.370 3726	€ 1.408 4166	€ 1.506 4383	€ 1.543 4607	€ 1.760 5047	€ 1.842 5271	€ 1.882 5719
66	1650	€ 1.086 1579	€ 1.163 2041	€ 1.202 2495	€ 1.286 2941	€ 1.362 3396	€ 1.405 3842	€ 1.444 4297	€ 1.544 4520	€ 1.582 4751	€ 1.807 5205	€ 1.890 5436	€ 1.931 5898
68	1700	€ 1.110 1626	€ 1.190 2102	€ 1.230 2570	€ 1.316 3031	€ 1.394 3499	€ 1.438 3959	€ 1.478 4427	€ 1.582 4657	€ 1.621 4895	€ 1.853 5363	€ 1.939 5601	€ 1.982 6077
70	1750	€ 1.133 1674	€ 1.216 2164	€ 1.257 2646	€ 1.346 3120	€ 1.426 3602	€ 1.472 4075	€ 1.514 4557	€ 1.620 4794	€ 1.660 5039	€ 1.900 5521	€ 1.989 5766	€ 2.033 6256
72	1800	€ 1.157 1722	€ 1.242 2226	€ 1.285 2722	€ 1.377 3209	€ 1.460 3704	€ 1.506 4192	€ 1.550 4687	€ 1.658 4931	€ 1.699 5183	€ 1.946 5678	€ 2.037 5930	€ 2.083 6434



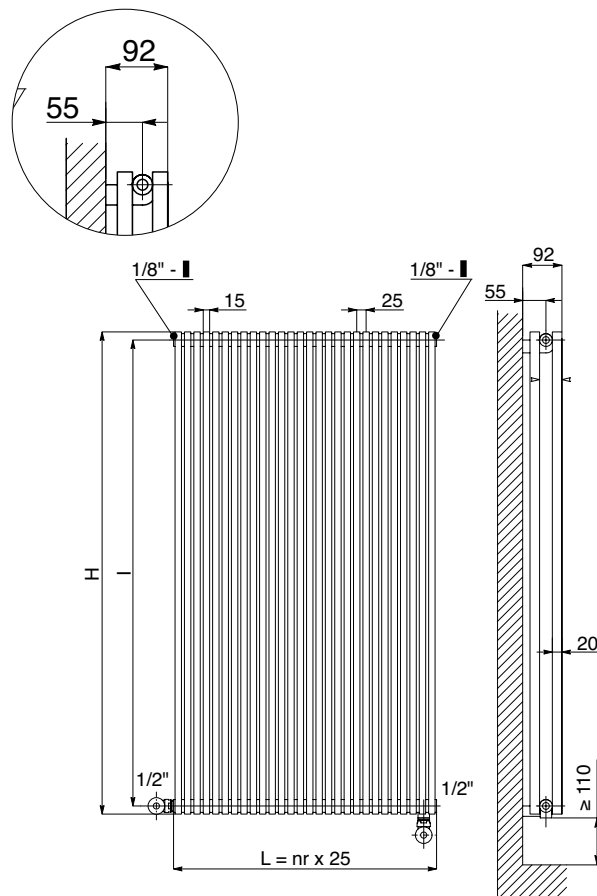
DRL CORDIVARI KARIN VX TANDEM

NEO DESIGN

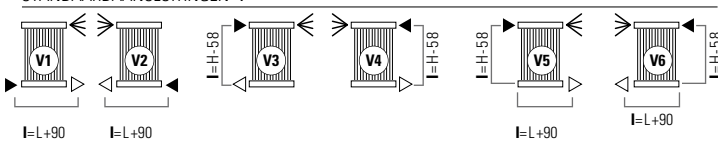


De Cordivari Karin VX Tandem - NeoDesign radiator is een variatie op de Karin VX - radiator en is samengesteld uit horizontale ronde collectoren, waar een dubbele rij verticale platte verwarmingselementen op zijn gelast.

Karin VX is uitgevoerd in gepoedercoat carbon staal en verkrijgbaar in verticale uitvoering. De radiator kan worden verfraaid met diverse accessoires, zoals een breed assortiment van Design kranen.



STANDAARDAANSLUITINGEN V

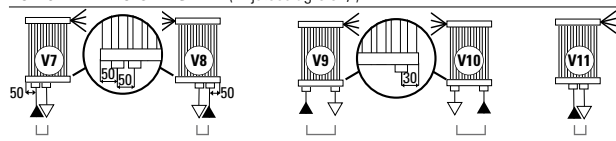


Bij bestelling dient u altijd de gewenste standaard aansluiting op te geven: (van V1 tot V6).

LEGENDA

► Aanvoer ◄ Retour ◀ Ontluchter H Hoogte I Op het hart L Lengte □ Aansluiting | Blindstop

SPECIALE AANSLUITINGEN V (Prijstoeslag € 62,-)



Bij bestelling dient u altijd de gewenste aansluiting op te geven: (van V7, V8, V9, V10, V11).

- **Materiaal:** Horizontale collectoren uitgevoerd in gecoat carbonstaal met een diameter van Ø 30 mm. Verticale rechthoekige verwarmingselementen in gecoat carbonstaal 15x20 mm.
- **Hoogte:** Diverse hoogtematen tussen 600 en 2500 mm.
- **Lengte:** Diverse lengtematen tussen 200 en 1800 mm.
- **Dieptes:** Diepte radiator: 50 mm. Afstand vanaf de muur tot voorkant radiator: 90 mm. Afstand vanaf de muur tot het hart van de aansluiting: 55 mm.
- **Aansluitingen:** (2x 1/2") A/R + (1x 1/8") ontluchter.
- **P. Max:** 8 bar.
- **Werking:** Centrale verwarming.
- **T. Max:** 110°C.
- **Montageset:** Wandbeugel, ontluchter, zeskant sleutel, pluggen en schroeven voor montage in volle steen of holle wand en gebruikershandleiding.
- **Verpakking:** Beschermd d.m.v. recyclebaar karton, voorzien van polyethyleen folie.

- **Kleur:** Standaardkleur RAL 9010 (gepoedercoat met ecologisch epoxy poeder. (Certificaat DIN 5590-1,-2). Tevens leverbaar in alle CORDIVARI COLORS tegen een meerprijs van 30% per radiator zie pag. 378-379.
- **Garantie:** 5 jaar fabrieksgarantie.
- **SnelSelect:** Door middel van ons SnelSelect-programma kunt u ook via het internet snel, eenvoudig en foutloos selecteren. U kunt het SnelSelect-programma gebruiken via www.snelselect.nl.
- **Kranensets:** DRL DESIGN KRANEN, zie INDEX pag. 6-7.



DRL CORDIVARI KARIN VX TANDEM

NEO DESIGN

HOOGTE H (mm)	600	800	1000	1200	1400	1600	1800	1900	2000	2200	2300	2500	
GEWICHT per el. (kg)	0,725	0,949	1,173	1,397	1,621	1,845	2,069	2,181	2,293	2,517	2,629	2,853	
INHOUD per el. (l)	0,295	0,383	0,472	0,561	0,65	0,738	0,827	0,871	0,916	1,004	1,049	1,137	
LEDEN Warmteafgifte bij: Watt 75/65/20°C													
AANTAL	LENGTE L	600	800	1000	1200	1400	1600	1800	1900	2000	2200	2300	2500
8	200	€ 439 252	€ 450 320	€ 463 392	€ 475 464	€ 513 544	€ 524 616	€ 565 688	€ 567 728	€ 579 760	€ 643 840	€ 653 872	€ 659 944
10	250	€ 482 315	€ 496 400	€ 515 490	€ 528 580	€ 567 680	€ 586 770	€ 631 860	€ 635 910	€ 649 950	€ 720 1050	€ 733 1090	€ 742 1180
12	300	€ 525 378	€ 541 480	€ 566 588	€ 581 696	€ 621 816	€ 649 924	€ 696 1032	€ 703 1092	€ 719 1140	€ 799 1260	€ 814 1308	€ 825 1416
14	350	€ 567 441	€ 586 560	€ 618 686	€ 634 812	€ 676 952	€ 712 1078	€ 762 1204	€ 771 1274	€ 791 1330	€ 877 1470	€ 895 1526	€ 909 1652
16	400	€ 610 504	€ 632 640	€ 670 784	€ 687 928	€ 730 1088	€ 776 1232	€ 826 1376	€ 839 1456	€ 861 1520	€ 955 1680	€ 976 1744	€ 992 1888
18	450	€ 653 567	€ 677 720	€ 720 882	€ 740 1044	€ 784 1224	€ 838 1386	€ 892 1548	€ 907 1638	€ 931 1710	€ 1.033 1890	€ 1.056 1962	€ 1.075 2124
20	500	€ 696 630	€ 723 800	€ 772 980	€ 793 1160	€ 838 1360	€ 901 1540	€ 957 1720	€ 976 1820	€ 1.002 1900	€ 1.111 2100	€ 1.137 2180	€ 1.157 2360
22	550	€ 739 693	€ 768 880	€ 824 1078	€ 846 1276	€ 892 1496	€ 964 1694	€ 1.023 1892	€ 1.044 2002	€ 1.072 2090	€ 1.190 2310	€ 1.217 2398	€ 1.240 2596
24	600	€ 781 756	€ 812 960	€ 876 1176	€ 899 1392	€ 946 1632	€ 1.026 1848	€ 1.088 2064	€ 1.111 2184	€ 1.142 2280	€ 1.267 2520	€ 1.298 2616	€ 1.324 2832
26	650	€ 824 819	€ 858 1040	€ 927 1274	€ 952 1508	€ 1.000 1768	€ 1.090 2002	€ 1.154 2236	€ 1.179 2366	€ 1.213 2470	€ 1.345 2730	€ 1.378 2834	
28	700	€ 866 882	€ 903 1120	€ 979 1372	€ 1.004 1624	€ 1.055 1904	€ 1.153 2156	€ 1.219 2408	€ 1.247 2548	€ 1.284 2660	€ 1.423 2940		
30	750	€ 910 945	€ 949 1200	€ 1.031 1470	€ 1.057 1740	€ 1.109 2040	€ 1.216 2310	€ 1.285 2580	€ 1.315 2730	€ 1.354 2850			
32	800	€ 953 1008	€ 994 1280	€ 1.083 1568	€ 1.110 1856	€ 1.163 2176	€ 1.278 2464	€ 1.351 2752	€ 1.383 2912				
34	850	€ 995 1071	€ 1.039 1360	€ 1.133 1666	€ 1.163 1972	€ 1.217 2312	€ 1.341 2618	€ 1.416 2924					
36	900	€ 1.038 1134	€ 1.085 1440	€ 1.185 1764	€ 1.216 2088	€ 1.271 2448	€ 1.405 2772						
38	950	€ 1.080 1197	€ 1.130 1520	€ 1.237 1862	€ 1.269 2204	€ 1.325 2584	€ 1.467 2926						
40	1000	€ 1.124 1260	€ 1.176 1600	€ 1.288 1960	€ 1.322 2320	€ 1.379 2720							
42	1050	€ 1.167 1323	€ 1.221 1680	€ 1.340 2058	€ 1.374 2436	€ 1.433 2856							
44	1100	€ 1.209 1386	€ 1.265 1760	€ 1.392 2156	€ 1.426 2552	€ 1.487 2992							
46	1150	€ 1.252 1449	€ 1.311 1840	€ 1.444 2254	€ 1.479 2668								
48	1200	€ 1.295 1512	€ 1.356 1920	€ 1.495 2352	€ 1.532 2784								
50	1250	€ 1.338 1575	€ 1.402 2000	€ 1.546 2450	€ 1.585 2900								
52	1300	€ 1.380 1638	€ 1.447 2080	€ 1.598 2548	€ 1.638 3016								
54	1350	€ 1.423 1701	€ 1.492 2160	€ 1.650 2646									
56	1400	€ 1.466 1764	€ 1.538 2240	€ 1.701 2744									
58	1450	€ 1.509 1827	€ 1.583 2320	€ 1.753 2842									
60	1500	€ 1.552 1890	€ 1.629 2400	€ 1.805 2940									
62	1550	€ 1.594 1953	€ 1.674 2480	€ 1.857 3038									
64	1600	€ 1.637 2016	€ 1.719 2560	€ 1.908 3136									
66	1650	€ 1.679 2079	€ 1.765 2640	€ 1.959 3234									
68	1700	€ 1.723 2142	€ 1.809 2720	€ 2.011 3332									
70	1750	€ 1.766 2205	€ 1.855 2800	€ 2.062 3430									
72	1800	€ 1.808 2268	€ 1.900 2880	€ 2.114 3528									

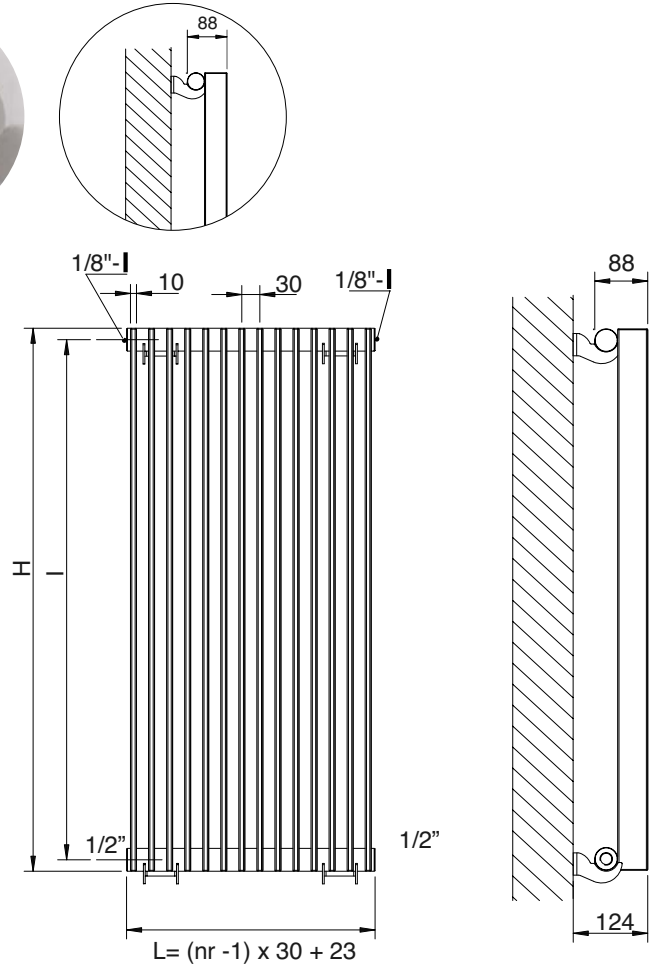
CORDIVARI® Distributed by RL Products

Prijswijzigingen en drukfouten onder voorbehoud

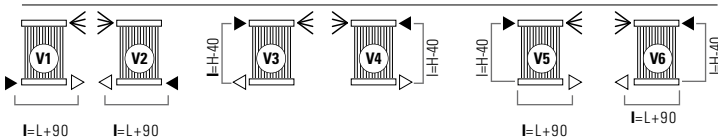




De Cordivari Keira Vertical - NeoDesign radiator is samengesteld uit horizontale ronde collectoren, waar een rij verticale rechthoekige verwarmingselementen op zijn gelast. Keira is uitgevoerd in gepoedercoat carbon staal en verkrijgbaar in verticale uitvoering. De radiator kan worden verfraaid met diverse accessoires, zoals een breed assortiment van Design kranen.



STANDAARDAANSLUITINGEN V

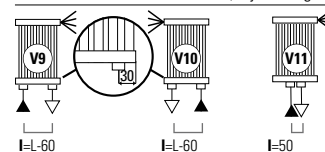


Bij bestelling dient u altijd de gewenste standaard aansluiting op te geven: (van V1 tot V6).

LEGENDA

► Aanvoer ◄ Retour ◀ Ontluchter H Hoogte I Op het hart L Lengte □ Aansluiting | Blindstop

SPECIALE AANSLUITINGEN V (Prijstoeslag € 62,-)



Bij bestelling dient u altijd de gewenste aansluiting op te geven: (van V9, V10, V11).

- **Materiaal:** Horizontale collectoren uitgevoerd in gecoat carbonstaal met een diameter van Ø 38 mm. Verticale rechthoekige verwarmingselementen 50x10 mm.
- **Hoogte:** Diverse hoogtematen tussen 540 en 2200 mm.
- **Lengte:** Diverse lengtematen tussen 263 en 1433 mm.
- **Dieptes:** Diepte radiator: 88 mm. Afstand vanaf de muur tot voorkant radiator: 124 mm.
- **Aansluitingen:** (2x 1/2") A/R + (1x1/8") ontluchter.
- **P. Max:** 5 bar.
- **Werking:** Centrale verwarming.
- **T. Max:** 110°C.
- **Montageset:** Wandbeugel, ontluchter, zeskant sleutel, pluggen en schroeven voor montage in volle steen of holle wand en gebruikershandleiding.
- **Verpakking:** Beschermd d.m.v. recyclebaar karton, voorzien van polyethyleen folie.

- **Kleur:** Standaardkleur RAL 9010 (gepoedercoat met ecologisch epoxy poeder. (Certificaat DIN 5590-1,-2). Tevens leverbaar in alle CORDIVARI COLORS tegen een meerprijs van 30% per radiator zie pag. 378-379.
- **Garantie:** 5 jaar fabrieksgarantie.
- **SnelSelect:** Door middel van ons SnelSelect-programma kunt u ook via het internet snel, eenvoudig en foutloos selecteren. U kunt het SnelSelect-programma gebruiken via www.snelselect.nl.
- **Kranensets:** DRL DESIGN KRANEN, zie INDEX pag. 6-7.



DRL CORDIVARI KEIRA VERTICAL

NEO DESIGN

HOOGTE H (mm)	540	640	740	840	1400	1600	1800	1900	2000	2200	
GEWICHT per el. (kg)	0,652	0,761	0,869	0,978	1,586	1,803	2,02	2,129	2,238	2,455	
INHOUD per el. (l)	0,255	0,291	0,327	0,364	0,566	0,639	0,711	0,747	0,783	0,856	
LEDEN											
Warmteafgifte bij: Watt 75/65/20°C											
AANTAL	LENGTE L	600	800	1000	1200	1400	1600	1800	1900	2000	
9	263	€ 325 280	€ 327 322	€ 335 364	€ 351 407	€ 390 651	€ 423 742	€ 436 836	€ 450 885	€ 463 934	€ 503 1036
10	293	€ 345 311	€ 350 358	€ 358 405	€ 377 452	€ 418 723	€ 451 825	€ 471 929	€ 488 983	€ 503 1038	€ 551 1151
11	323	€ 367 342	€ 372 394	€ 382 445	€ 402 497	€ 446 795	€ 480 907	€ 504 1022	€ 526 1081	€ 543 1142	€ 598 1266
12	353	€ 389 373	€ 395 430	€ 406 486	€ 426 542	€ 473 868	€ 510 989	€ 539 1115	€ 564 1180	€ 584 1246	€ 647 1381
13	383	€ 410 404	€ 418 465	€ 431 526	€ 451 588	€ 501 940	€ 539 1072	€ 572 1208	€ 602 1278	€ 624 1349	€ 695 1496
14	413	€ 432 435	€ 440 501	€ 454 567	€ 477 633	€ 528 1012	€ 567 1154	€ 607 1301	€ 639 1376	€ 664 1453	€ 742 1611
15	443	€ 452 466	€ 463 537	€ 478 607	€ 502 678	€ 556 1085	€ 596 1237	€ 640 1394	€ 677 1475	€ 704 1557	€ 791 1726
16	473	€ 474 497	€ 486 573	€ 502 648	€ 527 723	€ 584 1157	€ 625 1319	€ 674 1487	€ 715 1573	€ 745 1661	€ 838 1841
17	503	€ 496 528	€ 509 608	€ 526 688	€ 552 768	€ 611 1229	€ 654 1402	€ 709 1580	€ 753 1671	€ 785 1765	
18	533	€ 517 559	€ 531 644	€ 550 729	€ 578 813	€ 639 1302	€ 684 1484	€ 742 1673	€ 791 1770	€ 825 1868	
19	563	€ 539 590	€ 554 680	€ 573 769	€ 603 859	€ 666 1374	€ 712 1567	€ 777 1766	€ 828 1868		
20	593	€ 559 621	€ 577 716	€ 597 810	€ 628 904	€ 695 1446	€ 741 1649	€ 810 1859			
21	623	€ 581 652	€ 598 752	€ 621 850	€ 653 949	€ 723 1518	€ 770 1731				
22	683	€ 603 684	€ 621 787	€ 646 891	€ 678 994	€ 750 1591					
23	683	€ 624 715	€ 644 823	€ 670 931	€ 703 1039						
24	713	€ 646 746	€ 666 859	€ 693 972	€ 728 1085						
25	743	€ 666 777	€ 689 895	€ 717 1012	€ 754 1130						
26	773	€ 688 808	€ 712 931	€ 741 1053	€ 779 1175						
27	803	€ 710 839	€ 735 966	€ 765 1093	€ 804 1220						
28	833	€ 731 870	€ 757 1002	€ 789 1134	€ 830 1265						
29	863	€ 753 901	€ 780 1038	€ 812 1174	€ 855 1311						
30	893	€ 773 932	€ 803 1074	€ 837 1215	€ 879 1356						
31	923	€ 795 963	€ 825 1110	€ 861 1255	€ 904 1401						
32	953	€ 817 994	€ 848 1145	€ 885 1296	€ 930 1446						
33	983	€ 838 1025	€ 871 1181	€ 909 1336	€ 955 1491						
34	1013	€ 860 1056	€ 893 1217	€ 932 1377	€ 980 1537						
35	1043	€ 880 1087	€ 916 1253	€ 956 1417	€ 1.006 1582						
36	1073	€ 902 1119	€ 939 1289	€ 980 1458	€ 1.031 1627						
37	1103	€ 924 1150	€ 962 1324	€ 1.004 1498	€ 1.056 1672						
38	1133	€ 945 1181	€ 984 1360	€ 1.029 1539	€ 1.080 1717						
39	1163	€ 966 1212	€ 1.007 1396	€ 1.052 1579	€ 1.106 1763						
40	1193	€ 988 1243	€ 1.030 1432	€ 1.076 1620	€ 1.131 1808						
41	1223	€ 1.009 1274	€ 1.052 1467	€ 1.100 1660	€ 1.156 1853						
42	1253	€ 1.031 1305	€ 1.075 1503	€ 1.124 1701	€ 1.182 1898						
43	1283	€ 1.052 1336	€ 1.098 1539	€ 1.147 1741							
44	1313	€ 1.073 1367	€ 1.119 1575	€ 1.171 1782							
45	1343	€ 1.095 1398	€ 1.142 1611								
46	1373	€ 1.116 1429	€ 1.165 1646								
47	1403	€ 1.138 1460									
48	1433	€ 1.159 1491									

DRL CORDIVARI KEIRA TANDEM VERTICAL

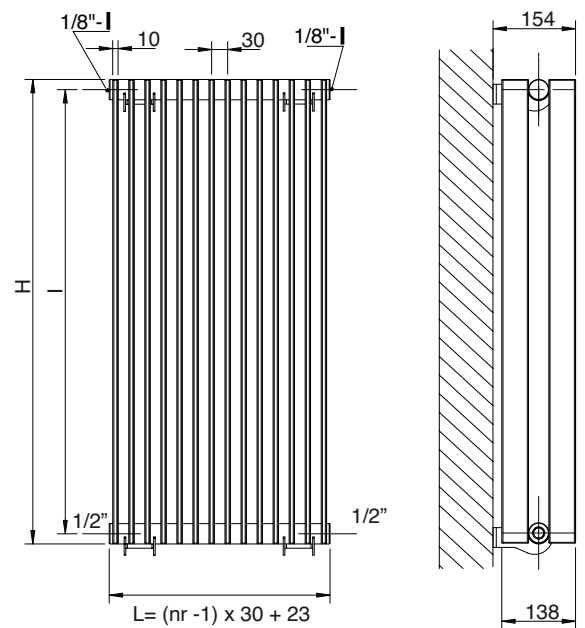
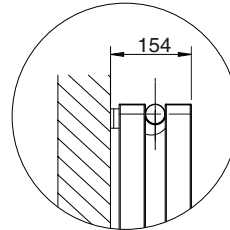
NEO DESIGN



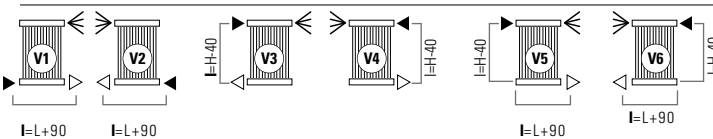
De Cordivari Keira - Tandem Vertical NeoDesign radiator is een variatie op de Keira radiator en samengesteld uit horizontale ronde collectoren, waar een dubbele rij verticale rechthoekige verwarmingselementen op zijn gelast.

Keira is uitgevoerd in gepoedercoat carbon staal en verkrijgbaar in verticale uitvoering.

De radiator kan worden verfraaid met diverse accessoires, zoals een breed assortiment van Design kranen.



STANDAARDAANSLUITINGEN V

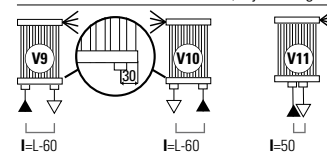


Bij bestelling dient u altijd de gewenste standaard aansluiting op te geven: (van V1 tot V6).

LEGENDA

► Aanvoer ◄ Retour ◀ Ontluchter H Hoogte I Op het hart L Lengte □ Aansluiting | Blindstop

SPECIALE AANSLUITINGEN V (Prijstoeslag € 62,-)



Bij bestelling dient u altijd de gewenste aansluiting op te geven: (van V9, V10, V11).

- **Materiaal:** Horizontale collectoren uitgevoerd in gecoat carbonstaal met een diameter van Ø 38 mm. Verticale rechthoekige verwarmingselementen 50x10 mm.
- **Hoogte:** Diverse hoogtematen tussen 540 en 2200 mm.
- **Lengte:** Diverse lengtematen tussen 263 en 1433 mm.
- **Dieptes:** Diepte radiator: 138 mm. Afstand vanaf de muur tot voorkant radiator: 154 mm.
- **Aansluitingen:** (2x 1/2") A/R + (1x1/8") ontluchter.
- **P. Max:** 5 bar.
- **Werking:** Centrale verwarming.
- **T. Max:** 110°C.
- **Montageset:** Wandbeugel, ontluchter, zeskant sleutel, pluggen en schroeven voor montage in volle steen of holle wand en gebruikershandleiding.
- **Verpakking:** Beschermd d.m.v. recyclebaar karton, voorzien van polyethyleen folie.

- **Kleur:** Standaardkleur RAL 9010 (gepoedercoat met ecologisch epoxy poeder. (Certificaat DIN 5590-1,-2). Tevens leverbaar in alle CORDIVARI COLORS tegen een meerprijs van 30% per radiator zie pag. 378-379.
- **Garantie:** 5 jaar fabrieksgarantie.
- **SnelSelect:** Door middel van ons SnelSelect-programma kunt u ook via het internet snel, eenvoudig en foutloos selecteren. U kunt het SnelSelect-programma gebruiken via www.snelselect.nl.
- **Kranensets:** DRL DESIGN KRANEN, zie INDEX pag. 6-7.



DRL CORDIVARI KEIRA TANDEM VERTICAL

NEO DESIGN

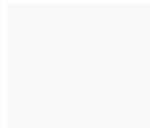
HOOGTE H (mm)	540	640	740	840	1400	1600	1800	1900	2000	2200	
GEWICHT per el. (kg)	1,238	1,456	1,673	1,89	3,107	3,541	3,976	4,193	4,41	4,844	
INHOUD per el. (l)	0,45	0,523	0,595	0,667	1,073	1,217	1,362	1,434	1,507	1,651	
LEDEN Warmteafgifte bij: Watt 75/65/20°C											
AANTAL	LENGTE L	600	800	1000	1200	1400	1600	1800	1900	2000	
9	263	€ 677 372	€ 699 441	€ 707 509	€ 719 578	€ 871 964	€ 938 1102	€ 963 1239	€ 994 1308	€ 1.031 1377	€ 1.072 1515
10	293	€ 717 413	€ 740 490	€ 750 566	€ 764 643	€ 937 1071	€ 1.016 1224	€ 1.048 1377	€ 1.083 1454	€ 1.125 1530	€ 1.172 1683
11	323	€ 757 454	€ 781 538	€ 793 622	€ 808 706	€ 1.002 1178	€ 1.093 1346	€ 1.133 1515	€ 1.170 1599	€ 1.219 1683	€ 1.274 1851
12	353	€ 797 496	€ 823 587	€ 835 679	€ 851 771	€ 1.067 1285	€ 1.171 1469	€ 1.219 1652	€ 1.259 1744	€ 1.314 1836	€ 1.374 2020
13	383	€ 838 537	€ 864 635	€ 878 735	€ 896 835	€ 1.132 1392	€ 1.249 1591	€ 1.305 1790	€ 1.346 1899	€ 1.408 1989	€ 1.475 2188
14	413	€ 878 578	€ 906 685	€ 922 792	€ 940 899	€ 1.198 1499	€ 1.328 1714	€ 1.391 1978	€ 1.435 2035	€ 1.502 2142	€ 1.576 2356
15	443	€ 918 620	€ 947 734	€ 964 849	€ 984 964	€ 1.263 1607	€ 1.406 1836	€ 1.476 2066	€ 1.523 2180	€ 1.597 2295	€ 1.676 2525
16	473	€ 958 661	€ 989 783	€ 1.007 905	€ 1.029 1028	€ 1.329 1714	€ 1.484 1958	€ 1.562 2203	€ 1.610 2326	€ 1.691 2448	€ 1.777 2693
17	503	€ 999 702	€ 1.031 832	€ 1.049 962	€ 1.072 1092	€ 1.394 1821	€ 1.562 2081	€ 1.647 2340	€ 1.699 2471	€ 1.785 2601	
18	533	€ 1.039 744	€ 1.072 881	€ 1.092 1019	€ 1.116 1156	€ 1.460 1928	€ 1.639 2203	€ 1.732 2479	€ 1.786 2616	€ 1.880 2754	
19	563	€ 1.079 784	€ 1.114 930	€ 1.136 1075	€ 1.160 1220	€ 1.525 2035	€ 1.717 2326	€ 1.819 2616	€ 1.875 2761		
20	593	€ 1.119 826	€ 1.155 979	€ 1.178 1137	€ 1.205 1295	€ 1.591 2142	€ 1.796 2448	€ 1.904 2754			
21	623	€ 1.160 867	€ 1.196 1028	€ 1.221 1188	€ 1.248 1349	€ 1.656 2249	€ 1.874 2570				
22	683	€ 1.200 909	€ 1.238 1077	€ 1.263 1245	€ 1.292 1413	€ 1.722 2356					
23	683	€ 1.240 950	€ 1.279 1126	€ 1.306 1302	€ 1.337 1478						
24	713	€ 1.282 991	€ 1.322 1175	€ 1.349 1358	€ 1.380 1542						
25	743	€ 1.322 1032	€ 1.363 1224	€ 1.392 1415	€ 1.424 1607						
26	773	€ 1.362 1074	€ 1.405 1273	€ 1.435 1471	€ 1.469 1670						
27	803	€ 1.402 1115	€ 1.446 1321	€ 1.477 1528	€ 1.513 1735						
28	833	€ 1.443 1156	€ 1.487 1370	€ 1.520 1585	€ 1.556 1799						
29	863	€ 1.483 1198	€ 1.529 1419	€ 1.563 1641	€ 1.600 1863						
30	893	€ 1.523 1239	€ 1.570 1469	€ 1.606 1698	€ 1.645 1928						
31	923	€ 1.563 1280	€ 1.612 1517	€ 1.648 1754	€ 1.689 1992						
32	953	€ 1.604 1321	€ 1.653 1566	€ 1.691 1811	€ 1.732 2056						
33	983	€ 1.644 1363	€ 1.696 1615	€ 1.734 1868	€ 1.777 2120						
34	1013	€ 1.684 1404	€ 1.737 1664	€ 1.777 1924	€ 1.821 2184						
35	1043	€ 1.724 1445	€ 1.778 1714	€ 1.820 1981	€ 1.865 2249						
36	1073	€ 1.765 1481	€ 1.820 1767	€ 1.862 2038	€ 1.909 2313						
37	1103	€ 1.805 1528	€ 1.861 1811	€ 1.905 2094	€ 1.953 2377						
38	1133	€ 1.845 1569	€ 1.903 1860	€ 1.949 2151	€ 1.997 2441						
39	1163	€ 1.885 1611	€ 1.944 1909	€ 1.991 2207	€ 2.042 2506						
40	1193	€ 1.926 1652	€ 1.985 1958	€ 2.034 2264	€ 2.085 2570						
41	1223	€ 1.966 1693	€ 2.027 2007	€ 2.076 2321	€ 2.129 2634						
42	1253	€ 2.006 1735	€ 2.069 2056	€ 2.119 2377	€ 2.173 2698						
43	1283	€ 2.046 1776	€ 2.111 2105	€ 2.162 2434							
44	1313	€ 2.087 1817	€ 2.152 2154								
45	1343	€ 2.127 1859	€ 2.194 2203								
46	1373	€ 2.167 1900	€ 2.235 2252								
47	1403	€ 2.207 1941									
48	1433	€ 2.248 1987									



STANDAARD

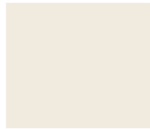


RAL 9010 - R01
BIANCO
PURE WHITE



RAL 9010 - R02
BIANCO TRAFFICO
PURE WHITE

GLANS



RAL 9001 - R14
CREMA
CREAM



S20
JASMINE



S03
PREGAMON



S16
CANARY

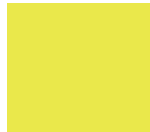


RAL 1013-R40
PEALWHITE



S10
ANEMONE

NEW



S21
PALE YELLOW



RAL 1021 - R05
GIALLO ACESSO
YELLOW RAPE



RAL 1004 - R06
GIALLO ORO
GOLD



H04
GHIACCIO
ICE



H09
LAGO
LAKE



RAL 5015 - R11
BLUE CIELO
BLUE SKY



RAL 5017 - R18
BLUE OTTREMARE
OVERSEAS BLUE



RAL 5022 - R19
BLUE NOTTE
BLUE NIGHT



RAL 9005-R13
NERO
JET BLACK



H24
MANGO



H25
MANDARINO
TAGERINE



RAL 2004 - R16
ARANGIO
PURE ORANGE



H27
ROSSO VINO
BRIGHT RED



RAL 3003 - R08
ROSSO RUBINO
RUBY RED



RAL 4008 - R25
VIOLA
PURPLE



H53
LILLA ACCESO
BRIGHT LILAC



S13
ROSA SUSSURFATO
LIGHT PINK



RAL 6019 - R26
WEISSGRUN
LIGH GREEN



H30
MELA VERE
GREEN APPLE



RAL 6002 - R20
VERDE FOGLIA
GREEN LEAF



RAL 8017 - R09
TESTA DI MORO
DARK BROWN



S17
BAHAMA BEIGE



H48
TORTORA
DOVE



H56
PIETRA LAVICA
LAVIC-STONE



S07
GRAFITE
GRAPHITE



RAL 7030 - R22
GRIGIO PIETRA
STONE GREY



S02
MANHATTAN



RAL 7001 - R21
GRIGIO ARGENTO
SILVER GREY

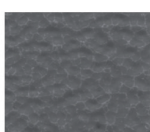


R27
GRIGIO METALLIZZATO
METAL GREY

WAVY




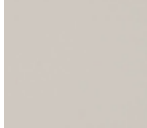


W02
CARBONE
CARBON



W03
DOLMITE

MAT

			
T01 NERO OPACO MATT BLACK	T10 BEIGE OPACO MATT BEIGE	T11 BEIGE OPACO MATT WHITE	T12 GRIGIO CHIARO OPACO MATT LIGHT GREY
		NEW 	NEW 
T15 TELA OPACO	T17 ACAI MATT	T19 BRITISH GREY	T20 WHITE GREY

GEMELEERD

		
M01 GOLD BLACK	M04 BLACKSILVER 2	M06 GOLD WHITE

TEXTURE /SPECIALE FINISH

					
F06 NERO RUMIDO METALLIZZATO METAL ROUGH BLACK	F15 NERO BRILLANTE METALLIZZATO METAL SPARKLING BLACK	F04 GRIGIO GRAFITE GRAPHITE GREY	F09 GRIGIO ALBA METALLIZZATO GRAPHITE LIGHT GREY	F07 EFFETO ARGENTO SILVER EFFECT	F20 MILKY
					
F22 ORO CLASSICO CLASSIC GOLD	F14 EFFETO BRONZO ANTICO OLD BRONZE EFFECT	F24 BLACK STAR	F23 SPARKLING GREY	F25 QUARTZ DUST	F27 MOONSHINE
					NEW 
F26 DARK ALUMINIUM	F30 WHITE SAND	F38 SAND STONE	F34 RED SAND	F31 COTTON BROWN	F36 TERRA
				NEW 	NEW 
F35 FOREST GREEN	F33 EMERALD SAND	F32 GREY SKY	F37 DENIM BLUE	F39 ALMORAL GREY	F40 GOLDEN PEACH
NEW 	NEW 	NEW 	NEW 		
F41 AMBER GOLD	F42 LIGHT CORAL	F43 GREY ANTRACITE	F44 CLAY	T18 PLUM	

Deze Cordivari kleurenkaart is slechts indicatief. Het is helaas niet mogelijk de werkelijke kleuren 100% nauwkeurig weer te geven. Cordivari kleurkaart netto excl. btw €10,- per stuk