

# User Manual

## Electric Heating Element

Návod na obsluhu — Topné těleso | Gebrauchsanweisung — Elektroheizpatrone |  
Mode d'emploi — Kit résistance électrique | Manuale d'istruzioni — Elemento elettrico  
riscaldante | Instrukcja Obsługi — Grzałka elektryczna | Инструкция по применению  
— Электронагреватель | Návod na obsluhu — Elektrické vykurovacie teleso

**MEG · DRY · MOA ·  
MOA IR · REG 2 · REG 3**

EN

CS

DE

FR

IT

PL

RU

SK



# User Manual

Our products have been designed and manufactured in such a way to ensure that all quality, functionality and aesthetic requirements are met. We would like to congratulate you on the purchase of this great product and wish you a pleasant experience with it.

## Electric radiator

Guide to safe installation and use.

1. Do not install the heater under an electrical socket point.
2. Your electric heater should be filled with a carefully measured amount of liquid. In the case of loss of heating medium, or in any other case which demands its supplementation, contact your supplier.
3. The device is not equipped with an external temperature controller \*).

Do not use the device in a small room if unsupervised disabled or incapacitated individuals are inside it. Only use the device if those individuals are under constant supervision.

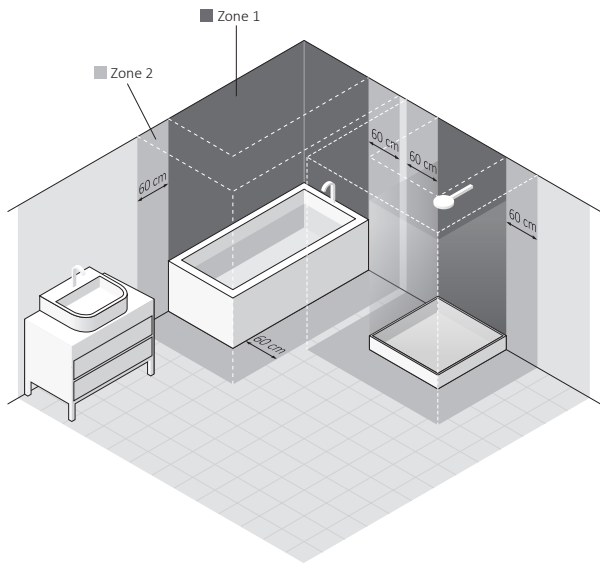
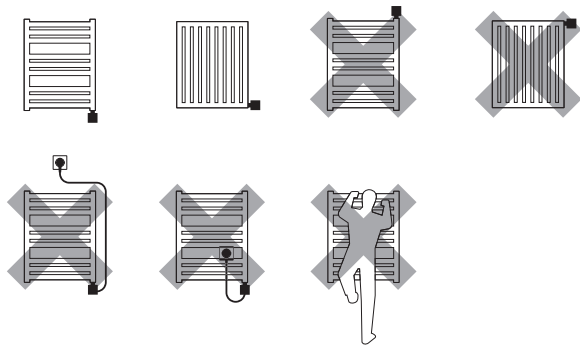
\*) Does not apply to selected models. Ask your supplier for details.

4. Electric heater is not a toy. Children under the age of 3 should not be allowed within close proximity of the device without the supervision of an adult.

Children aged 3 to 8 should only be allowed to operate the heater when it has been properly installed and connected. The child must be under adult supervision or have been trained to safely operate the device while understanding the risks.

5. Note: Some parts of the radiator can be very hot and can cause burns. Pay special attention to the presence of children or people with disabilities.
6. If the device is used as a clothes and towel dryer, ensure that the fabrics drying on it have only been washed in water, avoiding contact with any harsh chemicals.
7. To ensure the safety of very small children, install the electric dryer so that the lowest tube is at least 600 mm above the floor.
8. The device should only be installed by a qualified installer in accordance with the applicable regulations regarding safety and all other regulations.
9. All installations to which the device is connected should comply with regulations applicable in the country of installation and use.
10. Extension leads or electric plug adapters should not be used in order to supply power to the heater.

11. While connecting the radiator to electric installation ensure that the circuit has a 30 mA residual-current circuit breaker and an appropriate over-current circuit breaker. With the permanent installation (cable connection without plug) it is also mandatory to provide an omnipolar cut-off switch with a minimum contact opening of 3 mm for disconnecting the device on all poles.
12. The device version labelled PB can be installed in bathrooms in zone 1, as defined by applicable law, subject to any additional regulations concerning electrical installations in wet areas.  
  
Other versions of the device can be installed in Zone 2 or beyond.
13. The device is recommended for use solely as described in the manual.
14. Ensure that the heater has been installed on a wall in accordance with its installation manual.
15. Please forward this instruction manual to the end user.



# Electric Heating Element

## Safety requirements — installation

1. Fitting and connection of the heating element should only be performed by a qualified installer.
2. Connect the unit to a sound electrical installation (see the ratings on the heater).
3. Switching on the heating element in the open air to test the device is permitted for a maximum of 3 seconds.
4. Never test a heating element that is already installed. Do not turn the heating element on in an empty radiator!
5. Ensure that the power cord does not touch the hot parts of the heating element or radiator.
6. Before installing or removing the device, make sure it is disconnected from the power source.
7. Do not open the device — any interference with internal components will invalidate the warranty.
8. The heating element's power output must not exceed the radiator's power output for the parameters 75/65/20°C.

9. The pressure in the radiator should not exceed 10 atm. Ensure that an air cushion is preserved in electric radiators. In central heating systems, leave one valve open to prevent pressure build up due to the thermal expansion of the liquid.
10. The device is intended for home use only.
11. Fitting and Installation of the device must be carried out in accordance with all local regulations for electrical safety, including installation within permissible locations only. Observe bathroom electrical zone regulations.

## Safety requirements — use

1. The heating element must be fully submerged in the heating liquid during its operation.
2. Regularly check the device for damage to ensure it is safe to use.
3. If the power cord is damaged the device should not be used. Unplug the device and contact the manufacturer or distributor.
4. Do not allow flooding into the heating element casing.
5. Do not use the heating element in heating systems where the water temperature exceeds 82°C.



6. The heating element and radiator can heat up to high temperatures. Please be cautious — avoid direct contact with the hot parts of the equipment.
7. Do not open the heating element casing.
8. In the central heating system, always make sure that one valve of the radiator remains open.
9. Ensure that minors aged 8 and above or those with a physical or mental disability are supervised if operating the device.
10. The device is not a toy. Keep it out of the reach of children.
11. The device must be disconnected from the mains during cleaning and maintenance.
12. Cleaning of the equipment by children under 8 years of age is only permitted under appropriate supervision.

# Intended use of device

The heating element is an electric device intended solely for installation in radiators (standalone or connected to the central heating system).

Heating element power output should be matched with radiator output for parameters of 75/65/20° C

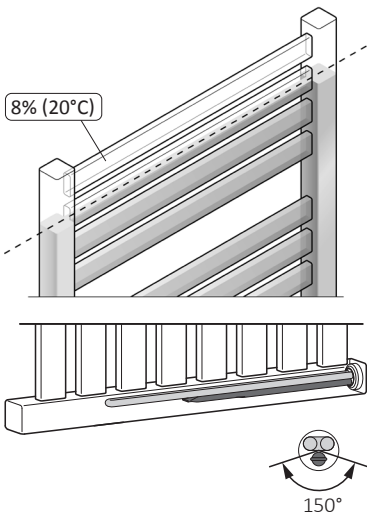
## Technical information

Model markings (power cable type):	PB (Straight cable without plug) * PW (Straight cable with plug) SW (Spiral cable with plug)							
Type of electrical connection:	Y: MEG, MOA, MOA IR, REG 3, DRY Z: REG 2							
Heat outputs available:	120, 200, 300, 400, 600, 800, 1000, 1200 [W]							
Power supply:	230 V / 50 Hz							
Insulation class:	Class I							
Towel rail connection thread:	G 1/2"							
Casing protection class [IP]:	IPx4: MEG IPx5: REG 2, REG 3, MOA, MOA IR, DRY							
Length of heating element:	120	200	300	400	600	800	1000	1200 [W]
	315	275	300	335	365	475	565	660 [mm]

\* Device intended to be connected permanently to the system


# Installation or removal

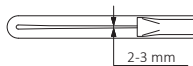
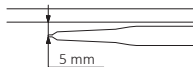
Detailed information demonstrating the different ways of installing or removing a radiator heating element is available from the manufacturer or importer (see footnotes at the end of the manual). Below we list some basic requirements and principles which must be followed to ensure long term, reliable operation of the product.



When installing the heating element horizontally, the single tube (capillary) where the temperature sensor is located, should be positioned to be as close to the bottom of the radiator as possible.

## Before installation or first use:

1. Read the chapter *Safety requirements — Installation*.
2. Fit the heating element using the correct spanner (size  22).
3. The heating element must be installed at the bottom of the radiator, perpendicular to the radiator pipes, while preserving space for the proper circulation of the heating medium.
4. Use a suitable heating medium for filling the electric radiator, i.e. (water, special products based on water and glycol for use in central heating systems, or oil which complies with the requirements of the manufacturer of the radiator and heating element).
5. Check the distances between the individual heating element tubes and bend if necessary.



6. Do not switch the heating element on if it is not fully immersed in radiator heating medium.
7. Make sure an adequate air cushion is present to protect against excessive pressure build up within the heater (always leave one of the radiator valves open).
8. When filling the radiator with hot liquid insure that the liquid temperature does not exceed 65° C.
9. Follow the subsequent guidelines when connecting the electrical installation:
  - a. Brown wire — live connection to the circuit (L).
  - b. Blue wire — connect to neutral (N)
  - c. Yellow & green wire — earth connection (PE).
10. Before filling the radiator with heating medium, ensure that the heating element is fitted properly and that it is water tight.
11. In central heating installation radiator must be fitted with the valves enabling disconnection of the radiator from the rest of the system.
12. The temperature of the heating agent in the central heating system must not exceed 82° C!
13. For detailed installation hints — see the last pages of this manual.

## Notes prior to removal:

1. Before dismantling permanently, disconnect the heating element from the mains and ensure that the radiator is not hot.
2. Be aware. A radiator filled with liquid can be very heavy. When moving the radiator, ensure that you take the necessary safety precautions.
3. Before disassembly, close the appropriate valves and drain the radiator completely to avoid causing any damage.

## Product disposal

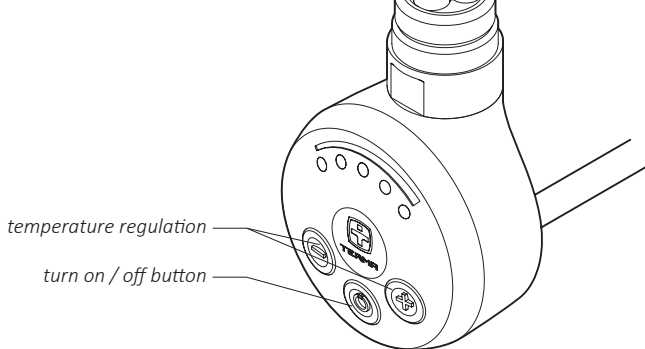


This product should not be disposed of as general waste but should be brought to the appropriate collection point for re-cycling of electric and electronic devices. This information is provided by the sign on the product, user manual and packaging. Information on the appropriate point for used devices can be provided by your local authority, product distributor or the store from where the product was purchased. Thank you for your effort towards protecting the environment.

## Maintenance

- Before performing maintenance, always unplug the unit from the mains system.
- Periodically check the fluid level in the radiator and ensure the heating element is completely submerged.
- Clean the product with a dry or damp cloth. If necessary, use a very small amount of detergent, ensuring that it contains no solvents or abrasives.

# MEG



Turning on the device will result in the heating of the radiator up to the set temperature. After reaching the set temperature the device will turn off and on regularly in order to maintain the set temperature.

The construction of the device as well as the physical characteristics of the heating agent inside the radiator influence the way in which the heat is distributed — the temperature of the bottom pipes on the radiator (especially the two located at the very bottom of the radiator) may be lower than the temperature of the remaining parts of the radiator — this is normal.

## Temperature increase

In order to increase the temperature of the radiator, press ⊕ once or several times as required; the right number of diodes will start blinking. The last blinking diode indicates the set temperature, whilst the last.

## Temperature decrease

In order to decrease the temperature of the radiator, press ⊖ once or several times as required; the right number of diodes will start blinking. The last diode that which shines constantly indicates the set temperature whilst the last blinking diode indicates the current temperature. The following diodes will start fading on reaching subsequent temperature levels.

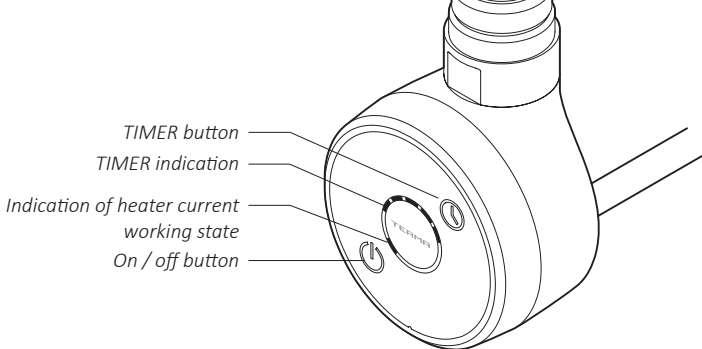
## Anti-freeze function (anti-freeze protection)

When the device is off and the temperature around temperature sensor drops down below 6°C, the device will switch on automatically. This is to prevent the heating agent inside the radiator from freezing. Activating Anti-freeze mode is indicated by winking of the middle diode.

## Problem solving

Problem	Possible cause	Solution
The device is plugged in, no diodes are on.	Problem with the connection.	Check the connection of the power wire, the plug and the socket.
Heating element is not heating, outside diodes are winking alternately.	Temperature sensor has been damaged.	Disconnect the device completely, wait until the radiator cools down and then re-connect it.
	Overheating of device.	Check and confirm that the heating element's output does not exceed the recommended output of your radiator. Check and reduce the water temperature in the central heating system-must not exceed 82°. In electric-only version check, if the radiator is properly filled with the heating agent.
Heating element is heating despite turning it off with the on/off button.	Damaged Electronics.	Disconnect the device completely, wait until the radiator cools down and then re-connect it.
If the problem continues please contact Your local Distributor.		

# DRY



## Functions

Heater DRY has 1 fixed temperature setting (default temperature of 48° C) and an advanced range of automatic switch off functions after 1-5 hours. This makes the product convenient and user-friendly — perfect for drying clothing and towels. The default heating temperature for the towel rail can be set to any of the following values: 43, 48, 52, 55 or 60° C. A built-in temperature sensor protects the towel rail from freezing in situations where the temperature falls below 5-7° C. The LED diode next to the on/off button will flash recurrently, indicating that the anti-freeze protection is active.

## Heater use

The heater is turned on by pressing the on/off button. The LED diode at the on/off button lights up when the heater is on and the regu-

lator maintains the set heating temperature. Attention: the heater control panel turns the device on only when radiator temperature is lower than the set temperature (default temperature of 48° C). On reaching the required temperature, the heater will turn on recurrently to maintain the set temperature only. This function allows much lower energy consumption than calculations based on the heaters nominal heat output might indicate. In the upper left part of the control panel, there is a (TIMER) button which can be used to set the automatic switch off time of the device. Every subsequent pressing of the buttons will light up diodes on the heating time indicator and allow the user to preset the “switch off” time of the device to between 1 and 5 hours from the current time.

After this time, the heater will turn off automatically.



It is useful to know that:

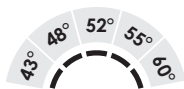
- Longer pressing of the  $\odot$  button will automatically set the timer to 5 hours or, turn off the TIMER function,
- The  $\odot$  button can also be used when the heater is off. On pressing the button, the heater will automatically turn on and set the TIMER to 1 hour,
- If you want to turn the TIMER off, press the  $\odot$  button several times or simply turn the heater off and on,
- TIMER LED diodes will turn off one by one, to display the correct, remaining drying time.

The construction of the heater as well as physical characteristics of various heating liquids may cause an uneven heat distribution inside the towel rail. As a result, bottom pipes of the towel rail may stay cool. Such phenomenon is completely normal and is not an indication of heater failure.

## Modification of radiator heating temperature

The default temperature of the heater is 48°C. The user can modify the heating temperature by following these steps:

1. Disconnect the device from the electricity supply (i.e. unplug the device).
2. Press and hold the on/off button while reconnecting the heater to the electricity supply.
3. Release the button.
4. One of 5 TIMER diodes will start flashing. Select the required temperature value by pressing the button until the corresponding diode starts flashing. Temperature values for each diode are shown in the table below:



5. Wait for 10 seconds or press the TIMER button in order to confirm your chosen value.

## Device malfunction alert

DRY Heater has built-in malfunction monitoring and alert functions.

Device malfunction is signalled in the following way: the two outer diodes shine with constant light while the middle diode flashes in the following manner — several flashes followed by a longer break. The number of diode flashes indicates an error code as described below:

- a) “Running in dry conditions” (error code: 2 flashes) — electronic system identified a situation indicating too little heating liquid inside the towel rail. Check to see if the towel rail has been properly filled with heating medium.
- b) “Overheating” (error code: 3 flashes) — the temperature of heating liquid inside the towel rail is too high
  - If the heater heats up despite being turned off, it is likely that the electronics have been damaged. The heater should be returned to the supplier/manufacturer for repair.
  - If the heater is installed inside a towel rail that is connected to a central heating system with hot water in the system, an alert does not mean that the heater has been damaged. The alert signals that temperature of the

installation is too high. Please ensure that temperature of the water inside the installation does not exceed 82° C as this could cause damage to the heater’s thermal fuse.

- c) “Temperature sensor damaged” (error code: 4 flashes) — There is a possibility of electronic system malfunction. The heater will most likely need repair.
- d) “Warning against possible heat escape into the system in central heating installations” (error code: 5 flashes) — there is a risk of a heat escape into the system if device is operating with the central heating system on and system water in circulation.

Attention: when closing the central heating installation valves, ensure that 1 valve remains open. This will prevent pressure in the towel rail from rising excessively.

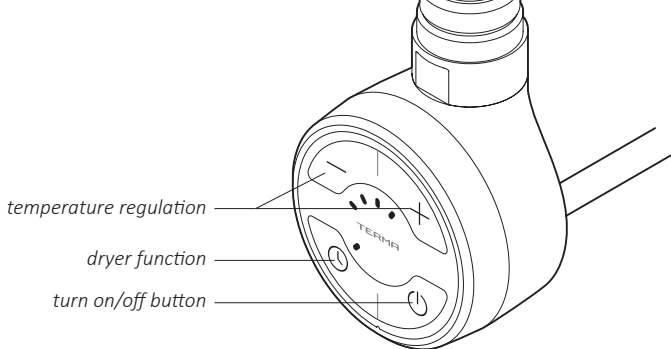
The malfunction alert may be removed by turning the heater off and on again.

In the case of a malfunction alert, turn the heater off and wait for the towel rail to cool down. Check the device for a possible cause (referring to the manufacturer “problem solving” guide) and try to resolve it. If the heater is still signalling malfunction after it is turned on again, you should contact your supplier or, alternatively, the product manufacturer.

## Problem solving

Problem	Possible cause	Problem solution
The heater is signalling malfunction alert (outer diodes shine constantly, while the middle one pulsates).	See description of malfunctions alerts.	Follow the steps specified in the paragraph relating to “Device malfunction alerts”.
Radiator is completely cold, diodes shine correctly.	The thermal fuse has been damaged — an electronics failure.	The device must be returned for repair.
Heater is off, it cannot be turned on. Diodes do not work.	No power supply. Electronics failure.	Check that the heater is correctly connected. If the connection is correct, the product must be returned for repair.
Device heats without control, it cannot be turned off.	Electronics damage.	Product requires repair at an authorized repair point.
Turning the heater on causes the electrical installation’s safety devices to activate.	Mechanical damage to device resulting from excessive pressure inside the radiator (i.e. no air cushion).	Product requires repair at an authorized repair point.
	Damage of electric isolation of the heating element or other damage.	Please contact an electrician in order to verify the source of the problem. Alternatively, contact an authorized service point.

# MOA



Turning the device on with the  $\odot$  button will result in the radiator heating up to the set temperature. After reaching the set temperature the device will turn off and on regularly in order to maintain the set temperature.

The construction of the device as well as the physical characteristics of the heating agent inside the radiator, influence the way in which the heat is distributed — the temperature of the bottom pipes on the radiator (especially the two located at the very bottom of the radiator), may be lower than the temperature of the remaining parts of the radiator — this is a normal phenomenon.

## Temperature increase

In order to increase the temperature of the radiator, press  $\odot$  once or several times as required; the correct number of diodes will start blinking. The last blinking diode indicates the set temperature, whilst the last di-

ode which shines constantly, indicates the current temperature. The remaining diodes will start shining constantly on reaching subsequent temperature levels.

## Temperature decrease

In order to decrease the temperature of the radiator, press  $\ominus$  once or several times as required; the correct number of diodes will start blinking. The last diode, which shines continuously, indicates the set temperature whilst the last blinking diode indicates the current temperature. The remaining diodes will start fading on reaching subsequent temperature levels.





## Anti-freeze function


When the device is off and the temperature surrounding the temperature sensor drops

to below 6°C, the device will switch on automatically. This is to prevent the heating agent inside the radiator from freezing. The activation of Anti-freeze mode is indicated by the blinking of the middle diode.

## Dryer function

The Dryer turns the device on for 2 hours, e.g. in order to dry a towel. After this period of time the device automatically switches to the mode to which it was set before the dryer mode.

Dryer function can be activated during heater operation by pressing  button. You can now freely adjust desired temperature level (buttons  and ). After 2 hrs heater will revert to the previous setting (before dryer function activation). To use 2 hrs timer heating element must be switched off. Switch it on by pressing  button. After 2 hrs heater will switch off automatically.

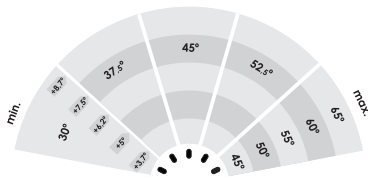
Press  button at any time to interrupt the dryer mode.




## Calibrating the temperature span

The standard temperature span of the heating element is 30-60°C. It is possible to increase or decrease that span by setting a maximum temperature of between 45°C and 65°C, (minimum temperature of 30°C

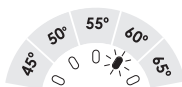
stays unchanged). This allows the user to achieve a maximum temperature which is higher than the standard or to effectively heat a space with the device during lower surrounding temperatures.

Example: for the temperature regulation span of up to 45°C (30-45°C) modification by one step (one diode), means increase/decrease of temperature by 3.75°C, while for the temperature regulation span of up to 65°C (30-65°C) modification by one step means increase/decrease by 8.75°C.




In order to modify the temperature span, unplug the device and plug it back in, while pressing  button. A single diode will start blinking on the display panel. Use  and  buttons to set one of the 5 possible maximum temperatures. The first diode stands for 45°C. The following diodes refer to the following maximum temperatures: 50°C, 55°C, 60°C and 65°C.

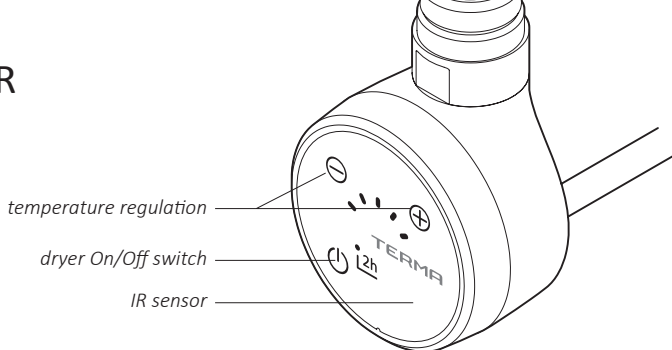
After selecting the new temperature span press on/off button to store the new settings.



## Problem solving

Problem	Possible cause	Solution
The device is plugged in, no diodes are on.	Problem with the connection.	Check the connection of the power wire, the plug and the socket.
Heating element is not heating, outside diodes are blinking alternately.	Temperature sensor has been damaged.	Disconnect the device completely, wait until the radiator cools down and re-connect it again.
	Overheating of device.	Check and confirm that the heating element's output does not exceed the recommended output of your radiator. Check and reduce the water temperature in the central heating system-must not exceed 82°. In electric-only version check, if the radiator is properly filled with the heating agent.
The device is heating despite turning it off with the  button.	Damaged electronics.	Disconnect the device completely, wait until the radiator cools down and re-connect it.
If the problem continues please contact Your local Distributor.		

# MOA IR



Turning the device on with the  $\ominus$  button will result in the radiator heating up to the set temperature. After reaching the set temperature the device will turn off and on regularly in order to maintain the set temperature.

The construction of the device as well as the physical characteristics of the heating agent inside the radiator, influence the way in which the heat is distributed — the temperature of the bottom pipes on the radiator (especially the two located at the very bottom of the radiator), may be lower than the temperature of the remaining parts of the radiator — this is a normal phenomenon.

## Temperature increase

In order to increase the temperature of the radiator, press  $\oplus$  once or several times as required; the correct number of diodes will start blinking. The last blinking diode indicates the set temperature, whilst the last di-

ode which shines constantly, indicates the current temperature. The remaining diodes will start shining constantly on reaching subsequent temperature levels.

## Temperature decrease

In order to decrease the temperature of the radiator, press  $\ominus$  once or several times as required; the correct number of diodes will start blinking. The last diode, which shines continuously, indicates the set temperature whilst the last blinking diode indicates the current temperature. The remaining diodes will start fading on reaching subsequent temperature levels.

## Anti-freeze function

When the device is off and the temperature surrounding the temperature sensor drops to below 6° C, the device will switch on automatically. This is to prevent the heating agent inside the radiator from freezing. The activation of Anti-freeze mode is indicated by the blinking of the middle diode.

## Dryer function

The Dryer turns the device on for 2 hours, e.g. in order to dry a towel. After this period of time the device automatically switches to the mode to which it was set before the dryer mode.

In order to activate the dryer mode, press and hold the  $\odot$  button (also when the heating element is off) – the device will start working and maintain the most recent temperature setting. You can now freely adjust desired temperature level (buttons  $\oplus$  and  $\ominus$ ). After 2 hrs heater will revert to the previous setting (before dryer function activation).

To use 2 hrs timer heating element must be switched off. Switch it on by pressing and holding  $\odot$  button. After 2 hrs heater will switch off automatically.

Press  $\odot$  button at any time to interrupt the dryer mode.

## Remote control mode (wireless communication)

If the device is located in a room with an external IR controller suitable for communication with the heating element, the first signal received by the heating element will automatically activate the reception mode. The device will maintain the temperature indicated by the external controller while continuing to limit the radiator temperature so that it does not exceed 60°C. The remote control mode is indicated by the middle diode. In case of communication loss longer than 25 minutes, the device will automatically switch back to the manual mode, and continue to operate according to the most recent setting. Any new signal received by the heating element, will switch it back to the remote control mode.

The dryer function can be activated in the remote control mode (when the dryer function is deactivated, the heating element will resume the reception of signals from the external controller).

## Calibrating the temperature span

*same as MOA*

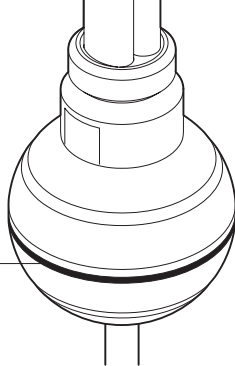
## Problem solving

*same as MOA*



## REG 2

*Ring indicating that the device is operating*



After the device is turned on, it heats the radiator up to 65°C. Having reached that temperature, the device will turn on and off regularly in order to maintain it.

The basic version of the device is not fitted with the on/off switch on the casing — it can be turned on/off by plugging it into a mains electricity socket (or connected permanently to the electricity circuit). A shining ring indicates that the device is connected to the electricity circuit.

Version +W of the device (not available in the UK) is additionally fitted with the on/off switch on the plug. The construction of the device as well as the physical characteristics of the heating agent inside the radiator influence the way in which the heat is distributed — the temperature of the bottom pipes on the radiator (especially the two located at the very bottom of the radi-

ator) may be lower than the temperature of the remaining parts of the radiator — this is a normal phenomenon.

### Emergency situations

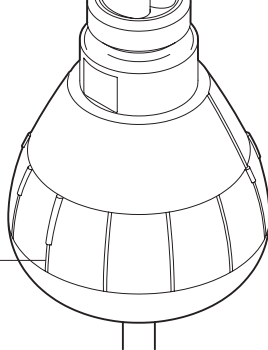
Should you discover any abnormalities in the way the device is operating, please check if:

- The device is correctly connected to the installation.
- The radiator is correctly filled with the appropriate heating agent.

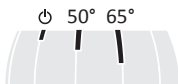
If the heating element unit is still not working correctly, it should be uninstalled and returned to the Supplier/Seller.

## REG 3

Temperature regulation ring with temperature setting indicators:



When the device is turned on, it heats the radiator up to the set temperature. Having reached that temperature, the device will turn on and off regularly in order to maintain it.



The construction of the device as well as the physical characteristics of the heating agent inside the radiator, influence the way in which the heat is distributed — the temperature of the bottom pipes on the radiator (especially the two located at the very bottom of the radiator) may be lower than the temperature of the remaining parts of the radiator — this is a normal phenomenon.

### Emergency situations

Should you discover any abnormalities in the way the device is operating, please check if:

- The device is correctly connected to the installation.
- The radiator is correctly filled with the appropriate heating agent.

If the heating element unit is still not working correctly, it should be uninstalled and returned to the supplier.

# Warranty terms & conditions

1. The subject of this warranty is a Terma electric heating element with control head. The product name and characteristics are specified on the packaging.
  - unqualified persons tampering with the product,
  - customers after the purchase.
2. By accepting the device on purchase, the Client confirms that the product is of full value. The Client should immediately inform the Seller of any discovered faults — otherwise it will be understood that the Product was faultless at the time of purchase. This refers especially to any faults or damages of the control panel case.
3. The Warranty for period for the Product is 24 months from the date of purchase, but no longer than 36 months from the date of production.
4. The proof of purchase (receipt, invoice, etc.) constitutes the basis for warranty claims. Lack of the proof of purchase allows the manufacturer to reject a warranty claim.
5. This warranty does not cover any faults and/or damages caused by:
  - incorrect (not in accordance with the manual) installation, use or disassembly,
  - incorrect use of the heating element (i.e. for any purpose that is not specified by the Manufacturer as intended for this type of product),
6. The Central Heating installation should be fitted with lock-shield valves, enabling disassembly of the radiator or the heating element and its control head without the necessity of emptying the whole system of the heating agent. Any problems or expenses arising from the absence of lock-shield valves in your installation cannot be used as grounds for any claims against Terma.
7. The attached Product Manual is an integral element of the Warranty. Please read it carefully prior to the installation and use of the Product.
8. The Manufacturer is obliged to remove any production fault within 14 working days of receipt of the faulty device at the Manufacturer's premises.
9. Should the repair be impossible, then the manufacturer is obliged to replace the faulty Product with a new, full-value unit of identical parameters.

# Návod k obsluze

Naše výrobky byly navrženy a vyrobeny tak, aby splnily všechny kvalitativní, funkční a estetické požadavky. Gratulujeme Vám, že jste se rozhodli koupit náš výrobek a přejeme Vám mnoho spokojenosti během používání nového zařízení.

## Elektrické topidlo

### Bezpečná montáž a používání

1. Topidlo se nesmí instalovat bezprostředně pod elektrickou zásuvku.
2. Elektrické topidlo musí obsahovat přesně odměřené množství kapaliny. Zjistíte-li úbytek topného média nebo v jakémkoli jiném případě, pokud je vyžadováno jeho doplnění, obraťte se na svého prodejce.
3. Toto zařízení není vybaveno regulátorem teploty v místnosti \*).

Nepoužívejte jej v malých prostorech za přítomnosti v nich osob, které nejsou schopny místnost samostatně opustit, pokud není zajištěn jejich stálý dohled.

\*) Nevztahuje se na některé modely. Zeptejte se svého prodejce na detaily.

4. Elektrické topidlo není hračka. Děti do 3 let bez náležitého dohledu by se neměly nacházet v bezprostřední blízkosti topidla.

Děti ve věku 3 až 8 let mohou používat topidlo pouze tehdy, pokud je správně nainstalováno a připojeno, a děti jsou pod dozorem nebo byly poučeny o používání spotřebiče bezpečným způsobem a rozumí případným nebezpečím.

5. Varování: Některé části topidla se mohou stát velmi horkými a způsobit popálení. Věnujte tomu zvláštní pozornost v případě přítomnosti dětí nebo zdravotně postižených osob.
6. Pokud je zařízení používáno jako sušička prádla a ručníků, tak sušte pouze prádlo vyprané ve vodě.
7. V zájmu ochrany před nebezpečím velmi malých dětí, elektrická sušička prádla a ručníků by měla být nainstalována tak, aby se její nejnížší trubice nacházela ve výšce nejméně 600 mm nad podlahou.
8. Zařízení by mělo být instalováno pouze kvalifikovaným montérem v souladu se všemi platnými bezpečnostními předpisy a ostatními předpisy.
9. Všechna vedení, ke kterým je zařízení připojeno, musí být v souladu s příslušnými předpisy platnými na dotyčném území.
10. Pro napájení topného tělesa nepoužívejte prodlužovací kabely nebo adaptéry elektrických zásuvek.

11. Při připojování chladiče k elektrické instalaci se ujistěte, že obvod má vypínač s proudovým odporem 30 mA (R.C.D.) a příslušný nadproudový jistič.

Při trvalé instalaci (kabelové připojení bez zástrčky) povinný je také vypínač umožňující vypnutí zařízení na všech pólech pomocí kontaktů se vzdáleností 3 mm.

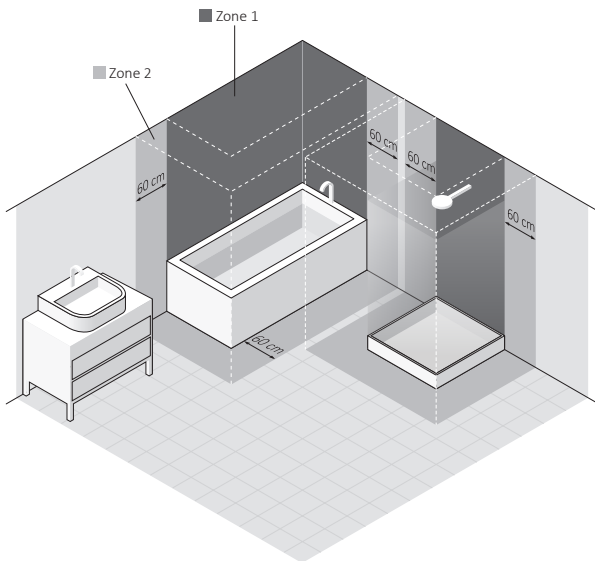
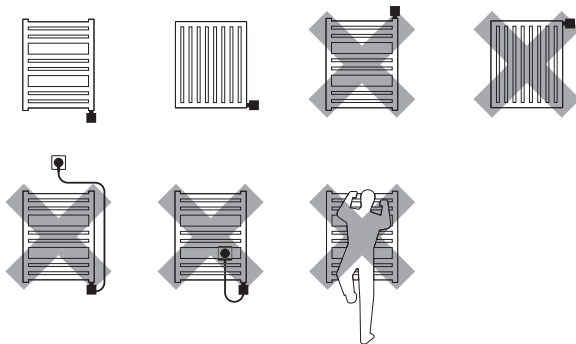
12. Zařízení v verzi označené PB lze instalovat v koupelně v zóně 1, definované vhodnými předpisy, s dodržением zvláštních upravení vztahujících se na elektroinstalaci ve vlhkých prostorech.

Ostatní verze zařízení lze instalovat v zóně 2 nebo mimo ni.

13. Používejte zařízení pouze pro jeho zamýšlený účel, jak je popsáno v návodu k použití.

14. Ujistěte se, že nástěnná instalace topidla byla provedena podle montážních pokynů pro toto zařízení.

15. Tento informační materiál musí být předán koncovému uživateli topidla.



# Topné těleso

## Bezpečnostní požadavky — instalace

1. Montáž ohřívače je oprávněn provést pouze instalatér, který je držitelem vhodného oprávnění.
2. Zařízení lze připojit pouze k správně provedené elektrické instalaci (viz jmenovité údaje na ohřívači).
3. Připouští se krátké zapnutí studeného ohřívače venku na dobu ne delší než 3 vteřiny.
4. Rozhodně nelze zapnout ohřívač v prázdném otopném tělese!
5. Lze zajistit, aby napájecí kabel nedotýkal horké prvky ohřívače nebo otopného tělesa.
6. Během montáže nebo demontáže zařízení nesmí být při napětích.
7. Nelze zasahovat do vnitřku zařízení.
8. Výkon ohřívače nesmí být větší od výkonu otopného tělesa u parametru 75/65/20° C .
9. Tlak v zařízení nesmí přesahovat 10 atm. V elektrickém otopném tělese lze zajistit vzdušný polštář, a v otopném tělese napojeném do instalace



ústředního topení lze nechat 1 otevřený ventil, aby se zabránilo růstu tlaku kvůli tepelné roztažnosti tekutiny.

10. Zařízení je určeno pro domácí použití.
11. Zařízení lze montovat podle veškerých lokálních předpisů týkajících se bezpečnostních požadavků pro elektrická zařízení, mezi tím možné lokalizace a vzdálenosti od mokrých míst.

## Bezpečnostní požadavky — použití

1. Topný prvek musí být během provozu úplně ponořený do tekutiny.
2. Lze pravidelně zjišťovat, zda zařízení není poškozené a zda jeho použití je bezpečné.
3. Pokud byl napájecí kabel poškozený, zařízení nelze používat. Lze odpojit od napájení a kontaktovat výrobce nebo distributora.
4. Nelze připustit, aby se kryt ohřívače zalil.
5. Nelze používat ohřívač v instalaci ústředního topení, kde teplota vody v otopném tělese je vyšší 82° C
6. Otopné těleso nebo ohřívač se mohou ohřát do vysoké teploty. Lze postupovat opatrně v kontaktu s otopným tělesem.

7. Nelze otevírat kryt.
8. Během provozu ohřívače v otopném tělese připojeném do instalace ústředního topení lze vždycky zajistit, aby byl jeden ventil otevřený.
9. Zařízení mohou používat děti starší 8 let a osoby s mentální nebo fyzickou dysfunkcí pouze s dozorem nebo po zaškolení v oblasti zásad bezpečné obsluhy a ohrožení, které mohou vzniknout během používání.
10. Zařízení není hračka. Lze chránit před dětmi.
11. Čištění lze provést pouze po odpojení zařízení od napájecí sítě.
12. Čištění zařízení dětmi mladšími 8 let se připouští pouze s vhodným dozorem.

# Určení

Ohřivač je elektrické zařízení topné určené pouze k integraci s vodnými otopnými tělesy (samostatně nebo napojené do instalace ústředního topení).

Ohřivač lze zvolit k otopnému tělesu tak, aby jeho jmenovitý výkon se blížil k výkonu otopného tělesa pro parametry 75/65/20° C.

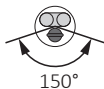
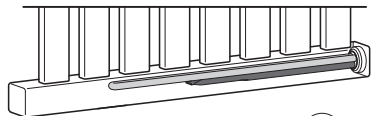
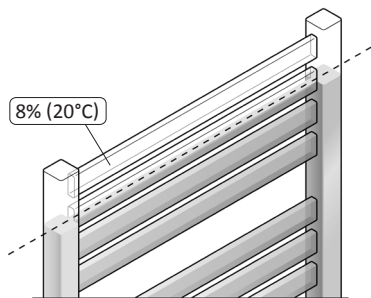
## Technické údaje

Označení modelu	PB (Kabel rovný bez zástrčky) *								
(typ napájecího kabelu):	PW (Kabel rovný s zástrčkou) SW (Kabel spirální s zástrčkou)								
Typ elektrického přípoje:	Y: MEG, MOA, MOA IR, REG 3, DRY Z: REG 2								
Přístupný výkon:	120, 200, 300, 400, 600, 800, 1000, 1200 [W]								
Napájení:	230 V / 50 Hz								
Třída ochrany zařízení:	Třída I								
Přípoj otopného tělesa:	G 1/2"								
Stupeň ochrany krytu [IP]:	IPx4: MEG IPx5: REG 2, REG 3, MOA, MOA IR, DRY								
Jmenovitý výkon :	120	200	300	400	600	800	1000	1200	[W]
	315	275	300	335	365	475	565	660	[mm]

\* zařízení určené k pevnému napojení na instalaci


# Instalace nebo demontáž

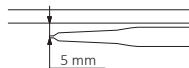
Detailní informace o různých způsobech instalace nebo demontáže ohřívače v otopném tělese se nachází u výrobce nebo dovozce (viz pata na konci návodu). Níže byly uvedené základní požadavky a zásady, které lze bezpodmínečně dodržovat, aby se zajistil dlouhodobý spolehlivý provoz zařízení.



Při instalaci tyče v horizontálním kolektoru, kratší/jednotlivá trubka se snímačem teploty by měla být umístěna v nejnižším možném bodě.

**Přípomínky před instalaci nebo prvním uvedením do provozu:**

1. Lze přečíst kapitolu: *Bezpečnostní požadavky — instalace*.
2. Lze našroubovat ohřívač pomocí správného plochého klíče (velikost  22)
3. Ohřívač lze instalovat vespod otopného tělesa, kolmo k seřazení potrubí, s ponecháním prostoru pro samotný oběh topného prostředku.
4. Lze použít správné topné prostředky (voda, speciální výrobky na bázi vody a glykolu určené k použití v instalacích ústředního topení, topné oleje s parametry shodnými s požadavky výrobce ohřívače a otopného tělesa).
5. Zkontroluj a případně uprav vzdálenosti mezi tyčemi podle obrázku.



6. Nelze ohřívač zapnout, pokud není celkem zalitý vodou nebo jinou alternativní tekutinou.

7. Lze zajistit ochranné prostředky před příliš vysokým růstem tlaku v otopném tělese (vzduchový polštář v elektrickém otopném tělese, otevřený jeden z ventilu otopného tělesa v instalaci ústředního topení).
8. Nelze zalívat otopné těleso tekutinou s teplotou vyšší než 65° C.
9. Při zapnutí zařízení na pevně do instalace, lze se podřídit těmto pokynům:
  - a. Hnědá žíla — napojení do fázového okruhu (L).
  - b. Modrá žíla — napojení do neutrálního okruhu (N).
  - c. Žlutě/zelená žíla — napojení do uzemnění (PET).
10. Před zalitím otopného tělesa lze zjistit, zda spojení ohřívače a otopného tělesa zaručuje těsnost.
11. Rozvod ústředního topení musí být vybaven ventily, které umožňují odpojení topného tělesa.
12. Teplota médium v rozvodu ústředního topení nesmí být vyšší než 82° C.

## Přípomínky před demontáží:

1. Před zahájením demontáže lze na pevně odpojit zařízení od napájecí sítě a zjistit, zda otopné těleso není horké.
2. Pozor — otopné těleso s ohřívačem vyplněné tekutinou může být velmi těžké. Lze zajistit náležitě bezpečnostní prostředky.
3. Před demontáží lze zjistit, zda voda uvnitř otopného tělesa a instalace nezpůsobí škodu (pokud je zapotřebí lze uzavřít ventily, vyprázdnit otopné těleso atp.)

## Likvidace

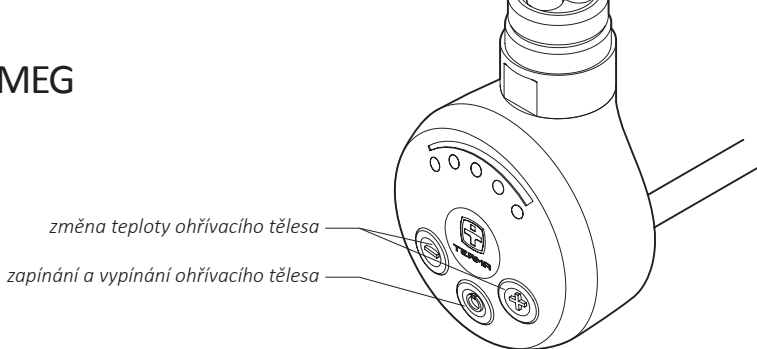


Tento výrobek je elektrické zařízení a podléhá zvláštním požadavkům na nakládání s elektrickým a elektronickým odpadem. Nelze vyhadzovat spolu s komunálním odpadem. Po ukončení používání lze zařízení odevzdat na sběrný dvůr za účelem recyklace elektronického zařízení. Detailní informace Vám poskytne obchod nebo výrobce. Děkujeme za příspěvek k ochraně životního prostředí.

## Údržba

- Před provedením údržbářských prací lze vždycky zařízení odpojit od sítě.
- Pravidelně lze zjišťovat úroveň tekutiny v otopném tělese a dbát na to, aby topný prvek byl úplně ponořený.
- Lze výrobek čistit na sucho nebo vlhkým hadříkem s malým množstvím detergentu bez obsahu rozpustidel a brusných látek.

# MEG



změna teploty ohřívacího tělesa

zapínání a vypínání ohřívacího tělesa

Po zapnutí ohřívací těleso nahřívá topné těleso do požadované teploty. Po dosažení požadované teploty ohřívací těleso se bude periodicky zapínat a vypínat pro udržení požadované teploty.

Konstrukce ohřívacího tělesa a také fyzikální vlastnosti topného média způsobují, že dolní trubky topného tělesa (především poslední dvě trubky) mohou mít nižší teplotu než ostatní části — taková situace je úplně normální.

## Zvyšování teploty

Pro zvýšení teploty stiskněte tlačítko  $\oplus$ , jednou nebo několikrát — příslušný počet diod začne blikat. Úroveň nastavené teploty ukazuje poslední blikající dioda, kdežto dosaženou teplotu ukazuje poslední dioda, která svítí nepřetržitě. Diody postupně začnou svítit nepřetržitě spolu s rostoucí teplotou zařízení.

## Snižování teploty

Pro snížení teploty stiskněte tlačítko  $\ominus$ , jednou nebo několikrát — příslušný počet diod začne blikat. Úroveň nastavené teploty ukazuje poslední dioda, která svítí nepřetržitě, kdežto aktuální teplotu ukazuje poslední blikající dioda. Diody budou postupně hasnout spolu se snižující se teplotou zařízení.

## Funkce anti-freeze (ochrana proti zamrznání)

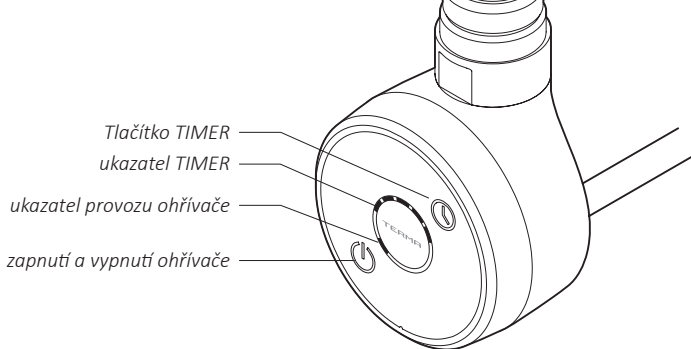
Jestliže ohřívací těleso je vypnuté, a teplota v okolí čidla teploty klesne pod  $6^{\circ}\text{C}$  nastane automatické zapnutí ohřívacího tělesa, aby nedošlo k zamrznutí topného média uvnitř topného tělesa. Zapnutí funkce ANTIFREEZE signalizuje blikání prostřední diody.

## Odstraňování problémů

Problém	Možná příčina	Řešení problému
Ohřívací těleso je zapojené do napájecí zásuvky, žádná dioda nesvítí.	Problém je spojen s připojením.	Zkontrolujte připojení napájecího vodiče, zástrčku a napájecí zásuvku.
Ohřívací těleso nehřeje, střídavě blikají krajní diody.	Došlo k poruše čidla teploty.	Odpojte zařízení a počkejte až vystydne, a následně je opět zapojte.
	Došlo k přehřátí.	Zkontrolujte a potvrďte, že výstup topného článku nepřekračuje doporučený výkon Vašeho radiátoru. Zkontrolujte a snižte teplotu vody v systému ústředního vytápění — nesmí překročit 82°. Při elektrickém provedení zkontrolujte, zda je těleso správně naplněno topným prostředkem.
Ohřívací těleso hřeje i přes vypnutí tlačítkem $\Phi$ .	Poškození elektroniky.	Odpojte zařízení a počkejte až vystydne, a následně je opět zapojte.
Jestliže problém se nadále vyskytuje kontaktujte Prodejce.		



# DRY



## Funkce

Ohřivač DRY má 1 nastavení teploty otopného tělesa (výchozí 48° C) a rozšířený rozsah dostupných voleb automatického vypnutí ohřívání 1 až 5 hodin. Tato funkčnost působí, že tento výrobek se hodí především k využití funkce sušení jednoduchým a pohodlným způsobem.

Existuje možnost změny teploty ohřívání na jinou: 43, 48, 52, 55, 60° C, která po nastavení se bude pamatovat a stane se novou úrovní teploty práce sušárny. Integrovaný snímač teploty zabezpečuje otopné těleso před zamrznutím v případě zjištění teploty nižší než 5-7° C. Dioda LED u spínače bliká periodicky — signalizuje aktivní ochranu proti zamrznutí.

## Obsluha

Ohřivač lze zapnout klávesou. Dioda LED, která se nachází u klávesy svítí, kdy je ohřivač zapnutý a regulátor udržuje zadanou teplotu ohřívání. Pozor: Soustava, která ohřivačem řídí, zapne ohřivač jen v případě, jestli teplota otopného tělesa je nižší než teplota zadaná (výchozí 48° C). Po získání požadované teploty se ohřivač zapíná v intervalech za účelem udržení teploty. Díky tomu spotřeba elektřiny je rozhodně nižší než by to vyplývalo z teoretických výpočtů založených na jmenovitém výkonu ohřivače. V pravé horní části řídicí desky se nachází tlačítko (TIMER), které slouží k nastavování času automatického vypnutí topení. Další stisknutí klávesy způsobí rozsvícení diody LED na ukazateli doby topení a umožňují nastavení hodnot 1 až 5 hodin. Po této době se ohřivač automaticky vypne.

Je dobré vědět, že:

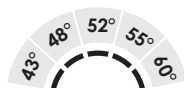
- delší stisknutí klávesy  $\odot$  nastavuje dobu na 5 hodin nebo vypíná TIMER,
- klávesa  $\odot$  funguje také v době, kdy je ohřívač vypnutý. Po její stisknutí se ohřívač zapne a nastaví dobu TIMERU na 1 hodinu,
- za účelem vypnutí TIMERU lze několikrát stisknout klávesu nebo prostě — vypnout a zapnout ohřívač,
- diody LED ukazatele TIMERA se budou po pořadí vypínat spolu s uplynutím času k vypnutí.

Konstrukce ohřívače, a také fyzické vlastnosti různých topných prvků mohou způsobit nerovnoměrné rozložení teploty na otopném tělese, mezi tím skutečnost, že spodní potrubí otopného tělesa bude studené. Takový stav je úplně správný a není výsledkem vadného provozu ohřívače.

## Servisní funkce změny teploty ohřívání

Ohřívač je výrobcem naprogramovaný tak, aby teplota nastavení po zapnutí ohřívače činila 48°C. Je možná změna této hodnoty za jinou provedením následujícího sledu činností:

1. Lze odpojit zařízení od elektřiny (např. lze odpojit zástrčku od zásuvky)
2. Lze stisknout klávesu a za stisknutí lze připojit ohřívač zpátky k proudu.
3. Lze uvolnit klávesu.
4. Na desce ohřívače začne pulsovat jedná z 5-ti diod ukazatele TIMERU. Klávesou lze zvolit požadovanou hodnotu teploty ohřívače podle níže uvedené tabule:



5. Lze počkat 10 vteřin nebo stisknout klávesu TIMER za účelem potvrzení zvolené hodnoty.

## Hlášení výstrah

Ohřívač DRY má aktivní funkce monitorování a hlášení různých výstrah.

Výstražní úroveň se hlásí na diodovém ukazateli TIMERU tím způsobem, že dvě krajní diody svítí pořád, a střední dioda bliká na zásadě: „několik záblesků a delší přestávka“. Počet záblesků znamená kód chyby podle tohoto popisu:

- a) „Provoz v suchém otopném tělese“ (Kód: 2 záblesky) — Elektronická soustava zjistila skutečnost, která poukazuje na

nedostatek topného prostředku uvnitř otopného tělesa. Lze zjistit správnost zalití.

b) „Přehřátí“ (Kód: 3 záblesky) — Příliš vysoká teplota topného prostředku uvnitř otopného tělesa.

- Pokud ohřívač topí i když je vypnutý — pravděpodobně se poškodila elektronika a je nutná oprava v servisu.
- Pokud je ohřívač namontovaný v otopném tělese, které funguje v instalaci ústředního topení s horkou vodou, hlášení výstražné úrovně neznamená poruchu ohřívače a jenom hlásí vysokou teplotu. Lze zjistit, zda teplota vody v instalaci nepřesahuje 82° C, protože hrozí to poškozením termické pojistky v ohřívači.

c) „Poškozený snímač teploty“ (Kód: 4 záblesky) — možná porucha elektronické soustavy. Pravděpodobně ohřívač vyžaduje opravu v servisu.

d) „Výstraha před otevřeným oběhem vody v instalaci ústředního topení“ (Kód: 5 záblesků) — existuje riziko, že otopné těleso napojené k instalaci ústředního topení má poškozený oběh unikem tepla do instalace.

Pozor: před uzavřením ventilů do instalace ústředního topení lze vždycky nechat 1 z ventilů otevřený, aby se zabránilo růstu tlaku v ohřívači.

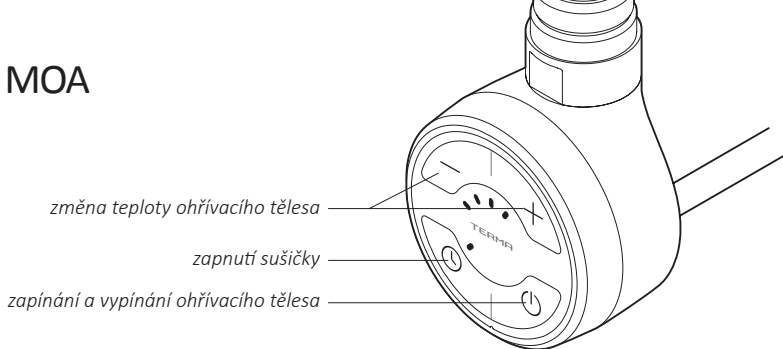
Výstražnou úroveň lze stornovat vypnutím a opětovným zapnutím ohřívače.


Pokud se objeví výstražná úroveň, lze vypnout ohřívač a případně počkat, až otopné těleso vychladne. Před opětovným zapnutím lze prozkoumat příčinu poruchy a odstranit ji. Pokud po zapojení je nadále hlášena výstražná úroveň — lze kontaktovat distributora nebo výrobce.

## Odstraňování problémů

Problém	Potenciální příčina	Činnosti, které lze provést
Ohříváč oznamuje výstrahu (krajní diody svítí neustále, střední pulsuje).	Viz popis výstrah.	Lze postupovat podle návodu z kapitoly „Hlášení výstrah“.
Otopné těleso je úplně studené, diody na ohříváči svítí správně.	Zafungovala termická pojistka, poškození elektroniky,	Výrobek vyžaduje opravu v servisu.
Ohříváč je vypnutý, nelze ho zapojit. Nic nesvítí.	Není správné zásobování, Poškození elektroniky.	Lze zjistit, zda je ohříváč správně připojený. Pokud ano, výrobek vyžaduje opravu v servisu.
Ohříváč ohřívá nekontrolovaně, nelze ho vypnout.	Poškození elektroniky.	Výrobek vyžaduje opravu v servisu.
Zapnutí ohříváče způsobí fungování zabezpečení v elektrické instalaci.	Mechanické poškození ohříváče způsobené příliš vysokým tlakem v otopným tělese (není vzdušný polštář).	Ohříváč vyžaduje opravu v servisu.
	Oslabená elektrická izolace topného prvku nebo jiné poškození.	Lze kontaktovat elektrikáře za účelem zjištění zdroje problému. Lze kontaktovat servis výrobce.


# MOA




Po zapnutí ohřívacího tělesa tlačítkem  se topné těleso nahřívá do požadované teploty. Po dosažení požadované teploty ohřívací těleso se bude periodicky zapínat a vypínat pro udržení požadované teploty.

Konstrukce ohřívacího tělesa a také fyzikální vlastnosti topného média způsobují, že dolní trubky topného tělesa (především poslední dvě trubky) mohou mít nižší teplotu než ostatní části — taková situace je úplně normální.

## Zvyšování teploty

Pro zvýšení teploty stiskněte tlačítko , jednou nebo několikrát — příslušný počet diod začne blikat. Úroveň nastavené teploty ukazuje poslední blikající dioda, kdežto dosaženou teplotu ukazuje poslední dioda, která svítí nepřetržitě. Diody postupně začnou svítit nepřetržitě spolu s rostoucí teplotou zařízení.

## Snižování teploty

Pro snížení teploty stiskněte tlačítko , jednou nebo několikrát — příslušný počet diod začne blikat. Úroveň nastavené teploty ukazuje poslední dioda, která svítí nepřetržitě, kdežto aktuální teplotu ukazuje poslední blikající dioda. Diody budou postupně hasnout spolu se snižující se teplotou zařízení.

## Funkce anti-freeze (ochrana proti zamrznání)

Jestliže ohřívací těleso je vypnuté, a teplota v okolí čidla teploty klesne pod 6° C nastane automatické zapnutí ohřívacího tělesa, aby nedošlo k zamrznutí topného média uvnitř topného tělesa. Zapnutí funkce ANTIFREEZE signalizuje blikání prostřední diody.

## Funkce sušičky

SUŠIČKA zapojuje zařízení na 2 hodiny, např. za účelem vysušení ručniku. Po této době ohřívací těleso se samočinně vrátí do stavu před aktivací SUŠIČKY.

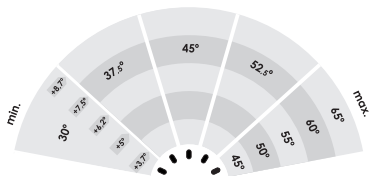
SUŠIČKA se zapíná pomocí tlačítka  $\ominus$  (také kdy ohřívací těleso je vypnuté). Zařízení začne pracovat na teploty nastavené naposledy. Tuto teplotu můžete libovolně měnit během práce (tlačítka  $\oplus$  a  $\ominus$ ). Jestliže před zapnutím sušičky ohřívací těleso bylo vypnuté, pak po ukončení sušení zařízení se samočinně vypne.

Za účelem zastavení práce SUŠIČKY kdykoliv můžete stisknout tlačítko  $\oplus$ .

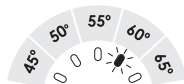
## Určení rozsahu teplot

Standardní rozsah pracovních teplot ohřívacího tělesa činí 30-60°C. Existuje možnost zvýšení nebo snížení tohoto rozsahu nastavením maximální teploty mezi 45°C a 65°C (minimální teplota 30°C se nemění). Toto umožňuje dosáhnout vyšší maximální teplotu vzhledem ke standardní teplotě nebo přesnějším způsobem ovládat ohřívací těleso při nižších teplotách.

Příklad: pro rozsah nastavení do 45°C (30-45°C) změna o jedno nastavení (jedná dioda) znamená zvýšení/snížení teploty o 3,75°C, kdežto pro rozsah nastavení do 65°C (30-65°C) změna o jedno nastavení znamená zvýšení/snížení teploty o 8,75°C.



Za účelem změny rozsahu teplot vyjměte zástrčku ze zásuvky. Následně přidrže tlačítko  $\oplus$  a opět vložte zástrčku do zásuvky. Začně blikat jedná dioda. Pomocí tlačítek  $\oplus$  a  $\ominus$  nastavte jednu z 5 možných maximálních teplot. První dioda odpovídá teplotě 45°C. Další diody znamenají: 50°C, 55°C, 60°C, 65°C.



## Odstraňování problémů

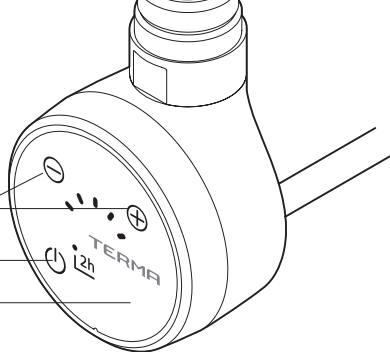
Problém	Možná příčina	Řešení problému
Ohřívací těleso je zapojené do napájecí zásuvky, žádná dioda nesvítí.	Problém je spojen s připojením.	Zkontrolujte připojení napájecího vodiče, zástrčku a napájecí zásuvku.
Ohřívací těleso nehřeje, střídavě blikají krajní diody.	Došlo k poruše čidla teploty.	Odpojte zařízení a počkejte až vystydně, a následně je opět zapojte.
	Došlo k přehřátí.	Zkontrolujte a potvrďte, že výstup topného článku nepřekračuje doporučený výkon Vašeho radiátoru. Zkontrolujte a snižte teplotu vody v systému ústředního vytápění — nesmí překročit 82 °. Při elektrickém provedení zkontrolujte, zda je těleso správně naplněno topným prostředkem.
Ohřívací těleso hřeje i přes vypnutí tlačítkem $\odot$ .	Poškození elektroniky.	Odpojte zařízení a počkejte až vystydně, a následně je opět zapojte.
Jestliže problém se nadále vyskytuje kontaktujte Prodejce.		

# MOA IR

změna teploty ohřívacího tělesa

zapnutí ohříváče /zapnutí sušiče

snímač IR



Po zapnutí ohřívacího tělesa tlačítkem ⊖ se topné těleso nahřívá do požadované teploty. Po dosažení požadované teploty ohřívací těleso se bude periodicky zapínat a vypínat pro udržení požadované teploty.

Konstrukce ohřívacího tělesa a také fyzikální vlastnosti topného média způsobují, že dolní trubky topného tělesa (především poslední dvě trubky) mohou mít nižší teplotu než ostatní části — taková situace je úplně normální.

## Zvyšování teploty

Pro zvýšení teploty stiskněte tlačítko ⊕, jednou nebo několikrát — příslušný počet diod začne blikat. Úroveň nastavené teploty ukazuje poslední blikající dioda, kdežto dosaženou teplotu ukazuje poslední dioda, která svítí nepřetržitě. Diody postupně začnou svítit nepřetržitě spolu s rostoucí teplotou zařízení.

## Snížování teploty

Pro snížení teploty stiskněte tlačítko ⊖, jednou nebo několikrát — příslušný počet diod začne blikat. Úroveň nastavené teploty ukazuje poslední dioda, která svítí nepřetržitě, kdežto aktuální teplotu ukazuje poslední blikající dioda. Diody budou postupně hasnout spolu se snižující se teplotou zařízení.

## Funkce anti-freeze (ochrana proti zamrznutí)

Jestliže ohřívací těleso je vypnuté, a teplota v okolí čidla teploty klesne pod 6 °C nastane automatické zapnutí ohřívacího tělesa, aby nedošlo k zamrznutí topného média uvnitř topného tělesa. Zapnutí funkce ANTIFREEZE signalizuje blikání prostřední diody.



## Funkce sušičky

SUŠIČKA zapojuje zařízení na 2 hodiny, např. za účelem vysušení ručníku. Po této době ohřívací těleso se samočinně vrátí do stavu před aktivací SUŠIČKY.

Za účelem zapnutí SUŠIČE lze stisknout a přidržet tlačítko  $\ominus$  (také, kdy je ohříváč vypnutý) – zařízení se zapojí s naposledy nastavenou teplotou. Zařízení začne pracovat na teploty nastavené naposledy. Tuto teplotu můžete libovolně měnit během práce (tlačítka  $\oplus$  a  $\ominus$ ). Jestliže před zapnutím sušičky ohřívací těleso bylo vypnuté, pak po ukončení sušení zařízení se samočinně vypne.

Za účelem zastavení práce SUŠIČKY kdykoliv můžete stisknout tlačítko  $\ominus$ .

## Režim dálkového ovládání (bezdrátová komunikace)

Pokud se v místnosti nachází ovládací panel IR, který vysílá vhodné řídicí signály, první správně ohříváčem zachycený signál způsobí jeho automatické přepojení na stav odběru. V tomto stavu zařízení ohřívá s výkonem určeným externím ovládacím panelem, avšak nadále kontroluje, aby teplota nepřesáhla cca 60°C. Dálkový režim je hlášen pevným světlem střední diody. Pokud dojde k přerušování komunikace na dobu delší 25 minut, zařízení se automaticky vypne z dálkového režimu, a bude pokračovat v provozu s na-

posledy nastavenou teplotou. Další zachycený signál z ovládacího panelu opětovně zapne režim práce s dálkovým ovládáním.

V režimu s dálkovým ovládáním je možné spustit funkci SUŠIČE (v tomto případě se po ukončení časování ohříváč nevypne, ale se vrátí k odběru komunikátů z dálkového ovládacího panelu).

## Určení rozsahu teplot

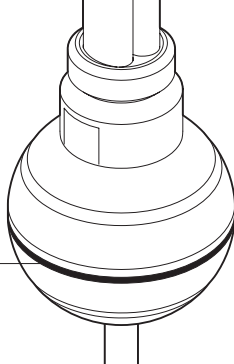
*Jako u modelu MOA*

## Odstraňování problémů

*Jako u modelu MOA*

## REG 2

*Prstenec signalizující práci  
ohřívacího tělesa*



Po zapnutí ohřívací těleso rozehřívá topné těleso do teploty 65° C. Po vystydnutí ohřívací těleso se bude periodicky zapínat a vypínat, aby byla udržena teplota.

Základní provedení ohřívacího tělesa není vybaveno spínačem na plášti — ohřívací těleso je zapínáno pomocí zástrčky (nebo je trvale připojeno k elektrickému rozvodu).

Svícení prstence znamená, že ohřívací těleso je připojeno k napájecí síti.

Provedení +W je dodatečně vybaveno spínačem, který se nachází na zástrčce.

Konstrukce ohřívacího tělesa a také fyzikální vlastnosti topného média způsobují, že dolní trubky topného tělesa (především poslední dvě trubky) mohou mít nižší teplotu než ostatní části — taková situace je úplně normální.

### Poruchové situace

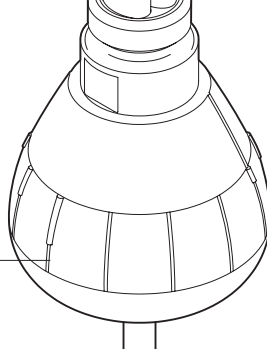
Jestliže zjistíte nesprávné fungování ohřívacího tělesa:

- zkontrolujte, zda zařízení je správně připojeno k napájení,
- zkontrolujte, zda v topném tělese je správné množství topného média.

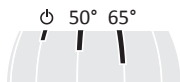
Jestliže i přes to ohřívací těleso nebude pracovat správně, demontujte je a vraťte prodejci.

## REG 3

Regulační prstenec  
s označením nastavení



Po zapnutí ohřívací těleso rozehřívá topné těleso do zadané teploty. Po její dosažení ohřívací těleso se bude periodicky zapínat a vypínat, aby byla udržena zadaná teplota.



Konstrukce ohřívacího tělesa a také fyzikální vlastnosti topného média způsobují, že dolní trubky topného tělesa (především poslední dvě trubky) mohou mít nižší teplotu než ostatní části — taková situace je úplně normální.

## Poruchové situace

Jestliže zjistíte nesprávné fungování ohřívacího tělesa:

- zkontrolujte, zda zařízení je správně připojeno k napájení,
- zkontrolujte, zda v topném tělese je správné množství topného média.

Jestliže i přes to ohřívací těleso nebude pracovat správně, demontujte je a vraťte prodejci.

# Podmínky záruky

1. Předmětem záruky je elektrický topný článek vyrobený Terma Sp. z o.o. Název modelu a vlastnosti jsou uvedeny na obalu.
2. Převzetím výrobku Zákazník potvrzuje, že výrobek je plnohodnotný. V případě zjištění jakýchkoliv vad je nutno o nich informovat Prodejce — v opačném případě má se za to, že Prodejce vydal výrobek bez vad. Toto se týká především kvality povrchu tělesa ovládače.
3. Doba záruky činí 24 měsíce od data nákupu, avšak ne déle než 36 měsíců od dne výroby.
4. Pro vyřízení reklamace je nutné předložit doklad o nákupu. Nepředložení tohoto dokladu opravňuje výrobce k odmítnutí reklamace.
5. Záruka se nevztahuje na poškození, která vznikla:
  - v důsledku nesprávné (jiné než popsané v návodu) montáže, používání nebo demontáže,
  - v souvislosti s nevhodným používáním topného článku,
  - v důsledku vnějšího zásahu do zařízení nepovolnými osobami,
  - vinou Zákazníka po převzetí od Prodejce.
6. Topná instalace musí být vybavená uzavíracími ventily, které umožňují demontáž topného tělesa nebo ohřívacího tělesa bez nutnosti vyprázdnění celé instalace z topného média. Problémy nebo náklady vzniklé v důsledku neexistence takových ventilů v instalaci nezatěžují Terma.
7. Příložený návod k použití je součástí záruky. Proto prosíme Vás o prostudování tohoto návodu než začnete používat výrobek.
8. Výrobce se zavazuje odstranit závadu během 14 pracovních dnů od dne doručení vadného zařízení do sídla výrobce.
9. Pokud se oprava zařízení nezdaří, výrobce se zavazuje doručit nový, správně fungující exemplář se stejnými parametry.

# Gebrauchsanweisung

Unsere Produkte wurden mit dem Gedanken entworfen die Bedürfnisse unserer Kunden nach den höchsten Qualitäts-, Funktionalitäts- und Sicherheitsstandards zu erfüllen. Wir danken für Ihr Vertrauen und wünschen Ihnen viel Freude mit Ihrem neuen Gerät.

## Elektroheizkörper

### Sichere Montage und Verwendung

1. Der Heizkörper darf nicht über die Steckdose montiert werden.
2. Der Heizkörper muss mit einer genau abgemessenen Menge Flüssigkeit befüllt werden. (Siehe Kapitel „Montage und Demontage“ Bei Leckage oder zu niedrigem Stand des Heizmediums im Heizkörper setzen Sie sich bitte mit Ihrem Händler in Verbindung.
3. Dieses Gerät ist nicht mit Raumtemperaturregler ausgestattet.\* Daher ist die Benutzung in kleinen Räumen, in denen sich Menschen mit eingeschränkter Fähigkeit zum selbständigen Verlassen des Raumes befinden, nicht zulässig. (Ausnahme: Ständige Aufsicht durch einen Erwachsenen).

\* betrifft nicht alle Modelle. Für weitere Informationen kontaktieren Sie Ihren Händler.

4. Der Elektroheizkörper ist kein Spielzeug. Kinder unter 3 Jahren sollten sich nicht in der Nähe des Heizkörpers aufhalten. Kinder im Alter von 3 bis 8 Jahren dürfen den Heizkörper nur unter Aufsicht von Erwachsenen selbständig bedienen oder nach einer Einweisung über den sicheren Gebrauch sowie alle damit verbundenen Gefahren. Dies gilt jedoch nur, wenn das Gerät vorher fachgerecht installiert und angeschlossen wurde.
5. Achtung: Einige Heizkörperelemente können relativ heiß werden. Bitte beachten Sie dies besonders bei der Anwesenheit von Kindern oder behinderten Menschen.
6. Wenn das Gerät als Wäsche — oder Handtuchtrockner eingesetzt wird, verwenden Sie nur Stoffe die zuvor ausschließlich in Wasser gereinigt wurden.
7. Aus Sicherheitsgründen (Rücksicht auf Kleinkinder) sollte das unterste Rohr des Wäsche- oder Handtuchtrockners mindestens 60 cm über dem Boden sein.
8. Das Gerät sollte nur durch einen qualifizierten Fachmann installiert werden, unter Beachtung aller gültigen Sicherheitsnormen und Vorschriften.
9. Alle Anlagen an denen das Gerät angeschlossen wird muss den aktuell gültigen Normen und Vorschriften des Landes entsprechen.
10. Zum Anschluss der Heizpatrone dürfen keine Verlängerungskabel oder Adapter verwendet werden.

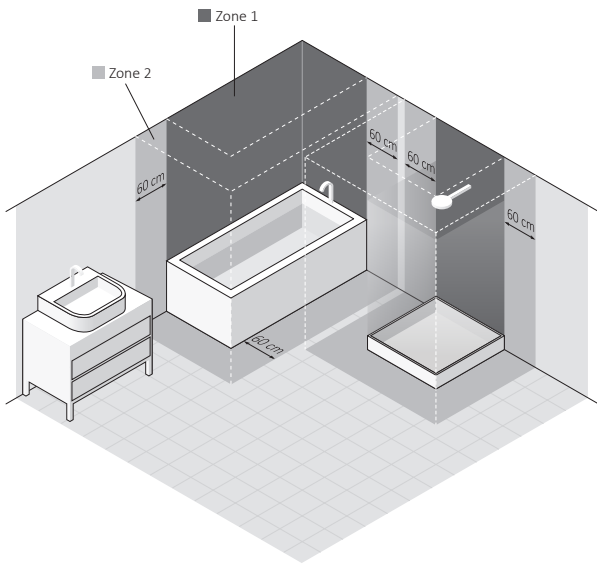
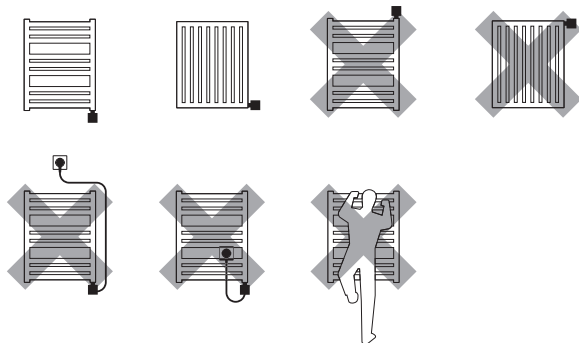
11. Stellen Sie sicher, dass der Stromkreis der elektrischen Anlage, an der die Heizpatrone angeschlossen werden soll, über einen passenden Überstromschutzschalter und eine Fehlerstromschutzeinrichtung (R.C.D.) mit einer Empfindlichkeit von 30 mA verfügt.

Bei einem festen Stromanschluss ist ebenso obligatorisch ein Schalter, der die Trennung des Gerätes auf allen Polen mit Kontakten um je 3 mm ermöglicht.

12. Die mit dem Symbol PB markierte Geräteversion kann im Badezimmer in der durch die angemessenen Vorschriften definierten Zone 1 installiert werden, jedoch unter Einhaltung der gesonderten Vorschriften über elektrische Anlagen im Nassbereich.

Alle anderen Geräteversionen können in Zone 2 oder außerhalb installiert werden.

13. Verwenden Sie das Gerät zweckgemäß und übereinstimmend mit der Betriebsanleitung.
14. Versichern Sie sich, ob der Heizkörper gemäß Betriebsanleitung richtig auf der Wand montiert wurde.
15. Bitte leiten Sie dieses Informationsmaterial an den Endbenutzer weiter.





# Elektroheizpatrone

## Sicherheitsanforderungen — Montage.

1. Die Montage des Heizkörpers darf nur von einem qualifizierten Fachmann durchgeführt werden.
2. Schließen Sie das Gerät nur an eine ordnungsgemäß ausgeführte elektrische Installation an (Beachten Sie die Kennzeichnung auf der Heizpatrone).
3. Es ist zulässig die Heizpatrone außerhalb des Heizkörpers kurz einzuschalten. Sie darf aber nicht länger als 3 Sek. eingeschaltet sein.
4. Es ist absolut nicht zulässig die Heizpatrone in einen nicht befüllten Heizkörper einzuschalten.
5. Stellen Sie sicher, dass das Versorgungskabel keine heißen Elemente des Heizkörpers oder der Heizpatrone berührt.
6. Bei der Montage oder Demontage darf sich das Gerät nicht unter Spannung befinden.
7. Öffnen Sie auf keinen Fall das Gehäuse des Gerätes.
8. Bei den Parameter  $75/65/20^{\circ}\text{C}$  .darf die Nennleistung der Heizpatrone nicht größer als die Heizleistung des Heizkörpers sein.

9. Der Druck im Heizkörper darf 10 atm nicht überschreiten. Sorgen Sie unbedingt dafür, dass bei einem Elektroheizkörper ein Luftkissen im Heizkörper verbleibt. Ist der Heizkörper an eine Zentralheizung angeschlossen muss bei Betrieb der Heizpatrone immer ein Ventil geöffnet sein. Durch diese Maßnahmen wird ein Druckanstieg aufgrund der thermischen Ausdehnung der Flüssigkeit verhindert.
10. Das Gerät ist für den Hausgebrauch vorgesehen.
11. Installieren Sie das Gerät gemäß den örtlich geltenden, gesetzlichen Sicherheitsvorgaben von elektrischen Anlagen unter Beachtung der Lage und des Abstandes zu Wasserquellen.

## Sicherheitsanforderungen — Nutzen

1. Das Heizelement muss im Betrieb vollständig vom Heizmedium bedeckt sein.
2. Überprüfen Sie regelmäßig, ob das Gerät nicht beschädigt und die Benutzung sicher ist.
3. Wenn das Kabel beschädigt ist, dann darf man das Gerät nicht benutzen. Ziehen Sie das Netzkabel und wenden Sie sich an den Hersteller oder Händler.

4. Vermeiden Sie Feuchtigkeit auf dem Heizpatronen-Gehäuse.
5. Setzen Sie die Heizpatrone nicht bei einer Zentralheizung ein, wo die Wassertemperatur 82°C überschreiten kann.
6. Der Heizkörper oder die Heizpatrone können sich bis zu hohen Temperaturen erwärmen. Seien Sie beim Kontakt mit dem Heizkörper vorsichtig.
7. Öffnen Sie das Gehäuse nicht.
8. Während der Benutzung der Heizpatrone in einem Heizkörper, der an die Zentralheizung angeschlossen ist, muss sicher gestellt sein, dass ein Ventil geöffnet ist.
9. Das Gerät kann von Kindern ab 8 Jahren oder Personen mit eingeschränkter geistiger oder körperlicher Leistungsfähigkeit nur unter Aufsicht oder nach Ausbildung in den Grundsätzen der sicheren Handhabung und Gefahren benutzt werden.
10. Das Gerät ist kein Spielzeug. Achten Sie hierbei vor allem auf Kinder.
11. Die Reinigung darf man nur dann vornehmen, wenn das Gerät vom Stromnetz getrennt ist.
12. Die Reinigung durch Kinder unter 8 Jahren ist nur unter kompetenter Aufsicht zulässig.

# Bestimmung

Die Heizpatrone ist ein elektrisches Heizgerät, das ausschließlich für den Einbau in Wasserheizkörper bestimmt ist (separat oder an die Zentralheizung angeschlossen).

Die Nennleistung der Heizpatrone sollte zur Heizkörperleistung angepasst werden (bei Kenndaten 75/65/20° C)

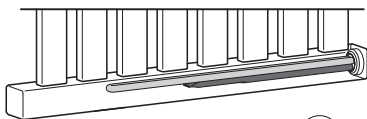
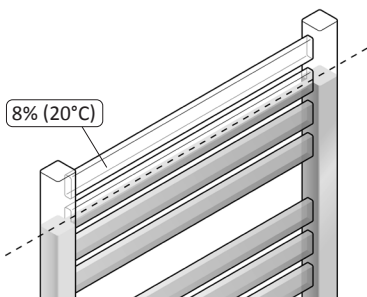
## Technische Daten

Modellkennzeichnung (Kabeltyp):	PB (Gerades Kabel ohne Stecker) * PW (Gerades Kabel mit Stecker) SW (Spiralkabel mit Stecker)																		
Elektrischer Anschlussstyp:	Y: MEG, MOA, MOA IR, REG 3, DRY Z: REG 2																		
Energieversorgung:	230 V / 50 Hz																		
Erhältliche Leistungen:	120, 200, 300, 400, 600, 800, 1000, 1200 [W]																		
Sicherheitsklasse des Gerätes:	Klasse I																		
Heizkörperanschluss:	G 1/2"																		
Schutzart des Gehäuses [IP]:	IPx4: MEG IPx5: REG 2, REG 3, MOA, MOA IR, DRY																		
Länge des Heizelementes:	<table border="1"><tr><td>120</td><td>200</td><td>300</td><td>400</td><td>600</td><td>800</td><td>1000</td><td>1200</td><td>[W]</td></tr><tr><td>315</td><td>275</td><td>300</td><td>335</td><td>365</td><td>475</td><td>565</td><td>660</td><td>[mm]</td></tr></table>	120	200	300	400	600	800	1000	1200	[W]	315	275	300	335	365	475	565	660	[mm]
120	200	300	400	600	800	1000	1200	[W]											
315	275	300	335	365	475	565	660	[mm]											

\*dieses Gerät ist für einen festen Stromanschluss geeignet


# Die Montage und Demontage

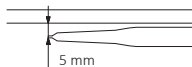
Die detaillierten Informationen zu den verschiedenen Möglichkeiten der Montage oder Demontage der Heizpatrone im Heizkörper sind beim Hersteller oder Händler verfügbar (siehe Fußzeile dieser Bedienungsanleitung). Darunter wurden die grundlegenden Anforderungen und Prinzipien aufgeführt, die beachtet werden müssen, um eine langfristige und zuverlässige Nutzungsdauer des Gerätes zu gewährleisten.



Bei der horizontalen Montage einer Heizpatrone sollte sich das einzelne Rohr mit dem Sensor an der niedrigstmöglichen Stelle befinden.

## Hinweise vor der Montage bzw. der ersten Ingebrauchnahme:

1. Lesen Sie das Kapitel: *Sicherheitsanforderungen — Montage*.
2. Schrauben Sie die Heizpatrone nur mit einem flachen Maulschlüssel (Größe  22) ein.
3. Die Heizpatrone muss an der Unterseite angebracht werden, senkrecht zu den Querrohren unter Einhaltung eines entsprechenden Freiraumes für die richtige Zirkulation des Heizmediums.
4. Verwenden Sie nur ein zulässiges Heizmedium (Wasser; spezielle Produkte zur Verwendung in Systemen der Zentralheizung auf Wasser und Glykol Basis; Heizöle, die den Anforderungen des Heizpatronen- und Heizkörperherstellers entsprechen).
5. Prüfen Sie die Abstände zwischen den einzelnen Rohren des Heizelements und biegen Sie diese falls notwendig.



6. Nehmen Sie die Heizpatrone erst in Betrieb, wenn sich das Heizelement vollständig im Wasser oder in einer anderen Flüssigkeit befindet.
7. Schützen Sie den Heizkörper vor übermäßigem Druck (Luftkissen in einem Elektroheizkörper, ein geöffnetes Heizkörperventil bei einer Zentralheizung).
8. Füllen Sie den Heizkörper nicht mit einer Flüssigkeit, deren Temperatur höher ist als 65° C.
9. Beim Anschluss des Gerätes an eine Festinstallation, befolgen Sie die folgenden Hinweise:
  - a. Braunes Kabel — Anschluss an den Außenleiter (Phase)(L).
  - b. Blaues Kabel — Anschluss an den Neutralleiter (N).
  - c. Gelb-grünes Kabel — Anschluss an den Schutzleiter (PE).
10. Vor dem Befüllen des Heizkörpers stellen Sie bitte sicher, dass die Verbindung zwischen der Heizpatrone und dem Heizkörper dicht ist.
11. Die Installation der Zentralheizung muss mit entsprechenden Ventilen ausgestattet sein, so dass eine Absperrung des Heizkörpers möglich ist (Mischbetrieb).
12. Die Temperatur der Zentralheizung darf nicht höher sein als 82° C!

13. Eine ausführliche Montageanleitung finden Sie am Ende dieser Anleitung.

## Hinweise vor der Demontage:

1. Vor der Demontage der Heizpatrone trennen Sie das Gerät von der Stromversorgung und stellen Sie sicher, dass der Heizkörper nicht heiß ist.
2. Achten sie bitte darauf, dass der Heizkörper samt Heizpatrone mit Flüssigkeit gefüllt ist, wobei dieser sehr schwer sein kann. Beachten Sie dabei die richtigen Sicherheitsmaßnahmen.
3. Um jegliche Schäden zu vermeiden stellen Sie vor der Demontage der Heizpatrone bitte sicher, dass sich im Heizkörper und in der Installation keine Flüssigkeit mehr befindet. Wenn nötig schließen Sie die entsprechenden Ventile, entleeren den Heizkörper usw.

## Recycling



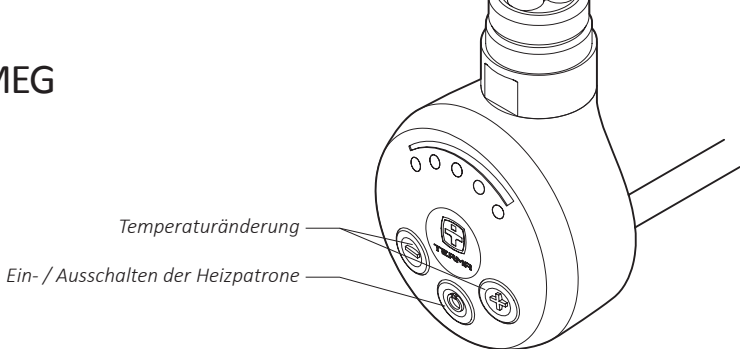
Nach einer endgültigen Demontage darf das Produkt nicht im herkömmlichen Abfall entsorgt werden. Das Symbol, welches auf dem Produkt, auf der Gebrauchsanweisung und auf der Verpackung zu finden ist, informiert Sie über die richtige Entsorgung. Der Abfall darf nur an bestimmten Sam-

mel- und Verwertungsstellen für elektrische und elektronische Abfälle abgegeben werden. Die Information über die Entsorgungs- und Verwertungsstelle bekommen Sie bei Ihrem Händler oder beim Hersteller. Wir bedanken uns für Ihren Einsatz bei der Umweltpflege.

## Pflege

- Vor der Durchführung von Wartungsarbeiten trennen Sie immer das Gerät vom Stromnetz ab.
- Überprüfen Sie regelmäßig den Flüssigkeitsstand im Heizkörper und achten Sie darauf, dass das Heizelement vollständig eingetaucht ist.
- Reinigen Sie das Produkt nur mit einem trockenen oder feuchten Tuch mit geringer Menge Spülmittel, die aber keine Lösemitteln und Schleifmitteln beinhalten dürfen.

# MEG



Temperaturänderung

Ein- / Ausschalten der Heizpatrone

Das Einschalten der Heizpatrone verursacht, dass der Heizkörper bis zur gewünschten Temperatur aufheizt. Sobald diese erreicht wird, wird sich das Gerät zeitweise Ein- und Ausschalten um die eingestellte Temperatur einzuhalten.

Der Aufbau der Heizpatrone, sowie die physikalischen Eigenschaften des Heizmediums, tragen dazu bei, das die unteren Rohre (vor allem die 2 untersten) eine niedrigere Temperatur aufweisen können, als der Rest des Heizkörpers — das ist ganz normal.

## Temperaturerhöhung

Um die Temperatur zu erhöhen, die Taste ☉ so viele Male drücken, bis die gewünschte Anzahl der Dioden anfängt zu blinken. Die letzte blinkende Diode, zeigt die vorprogrammierte Leistungsstufe an. Wenn die Diode aufhört zu blinken, wurde die aktuelle Temperatur erreicht. Solange die max.

eingestellte Temperatur nicht erreicht worden ist, werden die einzelnen Dioden, eine nach der anderen aufhören zu blinken und auf Dauer leuchten.

## Temperatursenkung

Um die Temperatur zu senken, die Taste ☉ so viele Male drücken, bis die gewünschte Anzahl der Dioden anfängt zu blinken. Die letzte blinkende Diode, zeigt die vorprogrammierte Leistungsstufe an. Wenn die Diode aufhört zu blinken, wurde die aktuelle Temperatur erreicht. Solange der Heizkörper abkühlt, werden die einzelnen Dioden, eine nach der anderen erlöschen.

## Antifreeze (Frostschutz)


Wenn der Heizstab ausgeschaltet ist und die Raumtemperatur die Temperaturschwelle



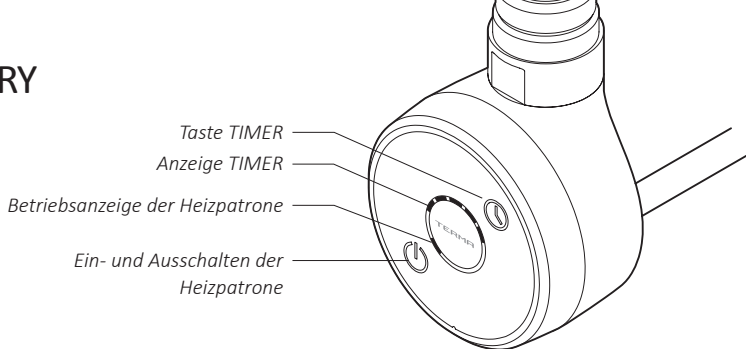
ca 6°C erreicht, wird der Heizstab automatisch eingeschaltet, so dass das Heizmedium innerhalb des Heizkörpers nicht einfriert.

Das Einschalten der ANTIFREEZE Funktion signalisiert das Blinken der mittleren Diode.

## Problembeseitigung

Problem	Möglicher Grund des Fehlers	Behebung
Heizpatrone ist an das Stromnetz angeschlossen keine der Dioden leuchtet, Heizpatrone heizt nicht.	Das Problem betrifft den Anschluss.	Prüfe den Anschluss des Anschlusskabels und die Steckdose.
Heizpatrone heizt nicht, die externen Dioden blinken wechselweise.	Die Heizpatrone meldet eine Fehlfunktion, der Temperatursensor wurde beschädigt.	Schalte die Heizpatrone aus und warte bis sie abkühlt. Dann schalte sie wieder ein.
	Es kam zur Überhitzung.	Bitte beachten Sie, dass die Leistung der Heizpatrone die empfohlene Leistung des Heizkörpers nicht übersteigt. Prüfen und möglicherweise reduzieren Sie die Temperatur des Heizmediums in der Heizungsinstallation (darf nicht mehr als 82°C sein). Ist der Heizkörper nicht an eine Heizungsanlage angeschlossen, überprüfen Sie ob der Heizkörper richtig befüllt ist.
Heizpatrone heizt trotzdem sie mit der Taste  ausgeschaltet wurde.	Elektronik wurde beschädigt.	Schalte die Heizpatrone aus und warte bis sie abkühlt. Dann schalte sie wieder ein.
Wurde das Problem nicht gelöst, bitte Kontakt mit Ihrem Verkäufer aufnehmen.		

# DRY



## Funktionen

Die Heizpatrone DRY besitzt 1 Heizkörpertemperatur-einstellung von 48° C und erweiterbare Funktionsmöglichkeiten; sowie automatische Ausschalte-Funktion des Heizens, im Bereich von 1 bis 5 Stunden. Dies ermöglicht einen praktischen und einfachen Betrieb der Trockenfunktion.



Es besteht die Möglichkeit einer Temperatureinstellung im Bereich: 43, 48, 52, 55, 60° C.

Die Temperatur wird nach der Einstellung gespeichert und ist zugleich als Temperaturstufe des Trockenbetriebs zu verstehen. Der eingebaute Temperatursensor schützt den Heizkörper vor dem Einfrieren bei einer Temperaturensenkung von 5-7° C. Die blinkende LED-Diode signalisiert die aktive Frostschutzfunktion.

## Betrieb

Die Heizpatrone wird mit der Taste eingeschaltet, was durch das Leuchten der LED-Diode angezeigt wird. Der Regler ist verantwortlich für das Einhalten der eingestellten Heiztemperatur. Achtung: Das Heizpatronen-Steuerungssystem aktiviert das Gerät nur, wenn die Heizkörpertemperatur niedriger ist als die eingestellte Temperatur (Standard beträgt 48° C). Nach Erreichen der beliebigen Temperatur, wird die Heizpatrone zeitweise aktiviert, um die eingestellte Temperatur einzuhalten, was dazu beiträgt, dass der Energieverbrauch wesentlich niedriger ist. Im rechten, oberen Bereich des Steuerungspanels befindet sich die TIMER-Taste, mit der die Zeit eingestellt werden kann, nach der das Heizen automatisch beendet wird. Weiteres Drücken der Taste aktiviert die LED-Dioden auf der Heizzeitanzeige und ermöglichen somit einen Wert von 1 bis 5 Stunden einzustellen. Nach Ablauf dieser Zeit wird die Heizpatrone automatisch ausgeschaltet.

## Wichtige Tipps:

- Das längere Gedrückthalten der Taste  stellt die Zeit für 5 Stunden ein oder schaltet den TIMER aus
- Die Taste  ist auch bei ausgeschalteter Heizpatrone aktiv. Nach dem Drücken wird die Heizpatrone eingeschaltet und stellt die Zeit des TIMERS automatisch auf 1 Stunde ein.
- Um den TIMER auszuschalten, drücken Sie mehrmals die Taste oder Heizpatrone einfach aus – und wieder einschalten
- Die LED-Dioden der TIMER-Anzeige erlöschen der Reihe nach mit dem Zeitablauf, bis das Gerät ausgeschaltet wird

Die Heizpatronenkonstruktion, als auch die physikalischen Eigenschaften verschiedener Heizmedien können zur ungleichmäßigen Temperaturverteilung im Heizkörper führen, so dass die unteren Heizkörperrohre kalt bleiben. Dieser Zustand ist völlig normal und ist nicht als Resultat eines fehlerhaften Heizpatronenbetriebs zu verstehen.

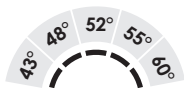
## Heiztemperaturänderung

### – Servicefunktion

Die Heizpatrone ist serienmäßig so vorprogrammiert, dass die Temperatureinstellung nach dem Einschalten des Gerätes immer 48°C beträgt. Dieser Wert kann jedoch gemäß unteren Anweisungen geändert werden.

Befolgen Sie dazu folgende Schritte:

1. Das Gerät von der Stromversorgung abtrennen (Stecker aus der Steckdose ziehen)
2. Die Taste gedrückt halten und die Heizpatrone wieder an die Stromversorgung anschließen (Taste bleibt die ganze Zeit gedrückt!)
3. Taste loslassen
4. Auf dem Heizpatronenpaneel beginnt eine der 5 Dioden zu pulsieren. Wählen Sie mit der Taste den beliebigen Temperaturwert der Heizpatrone (siehe untere Tabelle)



5. Warten Sie 10 Sekunden ab oder drücken die TIMER-Taste um den gewählten Wert zu speichern.

## Signalisierung von Störungen

Die Heizpatrone DRY besitzt eine aktive Überwachungsfunktion und signalisiert verschiedene Alarmzustände. Der Fehlerstatus wird auf der Diodenanzeige des TIMERS signalisiert, wobei zwei Dioden auf Dauer leuchten und die mittlere blinkt (schnelles Blinken und längere Pause).

Die Anzahl des Blinkens beschreibt folgenden Fehlercode:

- a. 2 x Blinken: „Trockenbetrieb im Heizkörper“ — Signalisierung von Heizmedium-Mangel im Inneren des Heizkörpers. Prüfen Sie, ob der Heizkörper richtig befüllt ist.
- b. 3 x Blinken: „Überhitzung“ — zu hohe Temperatur des Heizmediums im Heizkörper.
  - Wenn die Heizpatrone heizt obwohl Sie ausgeschaltet ist, wurde höchstwahrscheinlich die Elektronik beschädigt. Reparatur des Gerätes ist erforderlich
  - Wenn die Heizpatrone in einem Heizkörper montiert ist, der in der Zentralheizung mit Warmwasser betrieben wird, ist der Alarmzustand nicht als Fehler der Heizpatrone zu verstehen, sondern deutet auf eine hohe Temperatur hin. Versichern Sie sich,

ob die Wassertemperatur in der Anlage den Wert von 82° C nicht überschreitet, ansonsten kann es zum Schaden der thermischen Sicherung der Heizpatrone führen.

- c. 4 x Blinken: „Temperatursensor beschädigt“ — Mögliche Störung des Elektrosystems. Das Gerät muss repariert werden.
- d. 5 x Blinken: „Warnung vor offenem Wassserumlauf in der Zentralheizung“ — es besteht das Risiko, dass der Wassserkreislauf des an die Zentralheizung angeschlossenen Heizkörpers, durch Wärmeverlust beeinträchtigt ist.

Achtung: Während des Zudrehens der Zentralheizungs-Ventile, sollte immer eines der Ventile offen gelassen werden, so dass eine plötzliche Druckerhöhung im Heizkörper verhindert werden kann.

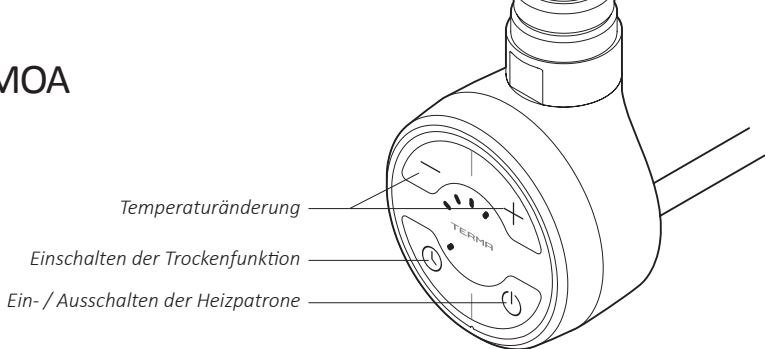
Die Fehlermeldung kann durch Aus — und erneute Einschalten der Heizpatrone gelöscht werden.

Im Fall einer Störung, schalten Sie die Heizpatrone aus und warten ab bis der Heizkörper abgekühlt ist. Vor dem Neustart sollte die Störungsursache geklärt und beseitigt werden. Wenn danach immer noch eine Fehlermeldung signalisiert wird, setzen Sie sich mit Ihrem Händler oder Produzenten in Verbindung.

## Problembeseitigung

Fehlermeldung	Mögliche Ursache	Fehlerbeseitigung
Heizpatrone meldet Fehlerstatus (Dioden leuchten auf Dauer, mittlere blinkt).	Siehe Beschreibung Fehlerstatus.	Befolgen Sie die Schritte aus dem Kapitel „Signalisierung von Störungen“.
Heizkörper ist kalt. Dioden leuchten korrekt.	Einsatz der thermischen Sicherung. Elektronik wurde beschädigt.	Reparatur des Gerätes erforderlich.
Heizpatrone außer Betrieb, lässt sich nicht einschalten, leuchtet nicht.	Fehlerhafte Energiezuführung. Elektronik wurde beschädigt.	Prüfen Sie, ob die Heizpatrone richtig angeschlossen ist. Falls ja, ist eine Reparatur des Gerätes erforderlich.
Heizpatrone heizt unkontrolliert, kann nicht ausgeschaltet werden.	Elektronik wurde beschädigt.	Reparatur des Gerätes erforderlich.
Einschalten der Heizpatrone löst FI-Schalter aus.	Mechanischer Schaden der Heizpatrone durch Überdruck im Heizkörper (Luftkissen fehlt).	Reparatur des Gerätes erforderlich.
	Elektrische Isolierung des Heizelementes geschwächt oder andere Schäden.	Setzen Sie sich mit dem Elektriker oder Produzenten in Verbindung um die Problemquelle zu identifizieren.

# MOA



Das Einschalten der Heizpatrone mit der Taste  $\odot$  verursacht, dass der Heizkörper bis zur gewünschten Temperatur aufheizt. Sobald diese erreicht wird, wird sich das Gerät zeitweise Ein- und Ausschalten um die eingestellte Temperatur einzuhalten.

Der Aufbau der Heizpatrone, sowie die physikalischen Eigenschaften des Heizmediums, tragen dazu bei, dass die unteren Rohre (vor allem die 2 untersten) eine niedrigere Temperatur aufweisen können, als der Rest des Heizkörpers — das ist ganz normal.

## Temperatureinstellung

Um die Temperatur zu erhöhen, drücke Sie bitte die Taste  $\oplus$  so viele male, bis die gewünschte Anzahl der Dioden anfängt zu blinken. Die vorprogrammierte Leistungsstufe zeigt die letzte blinkende Diode an. Die aktuell erreichte Leistungstemperatur zeigt die letzte leuchtende (nicht blinkende) Di-

ode an. Die Dioden werden, eine nach der anderen aufhören zu blinken, und anfangen auf Dauer zu leuchten, solange die maximal eingestellte Temperatur nicht erreicht wird.

## Absenkung der temperatur

Um die Temperatur zu senken, drücke Sie bitte die Taste  $\ominus$  so viele male, bis die gewünschte Anzahl der Dioden anfängt zu blinken. Die vorprogrammierte Leistungsstufe zeigt die letzte leuchtenden Diode an. Die aktuell erreichte Leistungstemperatur zeigt die letzte blinkende Diode an. Die Dioden werden, eine nach der anderen erlöschen, solange der Heizkörper abkühlen wird.

## Antifreeze (Frostschutz)

Wenn der Heizstab ausgeschaltet ist und die Raumtemperatur die Temperaturschwelle ca 6° C erreicht, wird der Heizstab automatisch eingeschaltet, so dass das Heizmedi-

um innerhalb des Heizkörpers nicht einfriert. Das Einschalten der ANTIFREEZE Funktion signalisiert das Blinken der mittleren Diode.

## Trockenfunktion

Die Trockenfunktion schaltet das Gerät für 2 Stunden ein, um z.B. ein Handtuch zu trocknen. Nach Ablauf dieser Zeit, kehrt das Gerät automatisch in den Betriebszustand zurück, bevor das die Trockenfunktion aktiviert worden ist. Die Funktion wird mit der Taste  $\odot$  eingeschaltet (auch bei ausgeschalteten Heizpatrone). Das Gerät fängt mit der zuletzt eingestellten Temperatur an zu arbeiten, welche beliebig während des Betriebs, modifiziert werden kann (Tasten  $\oplus$  und  $\ominus$ ).

Wenn die Heizpatrone vor der Aktivierung der Trockenfunktion ausgeschaltet war, so wird das Gerät auch nach Beendigung der Trockenfunktion (nach 2 Stunden) automatisch wieder ausgeschaltet.

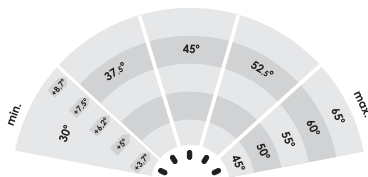
Um die Funktion im beliebigen Moment auszuschalten, Taste  $\odot$  drücken.

## Skalieren des Temperaturbereiches

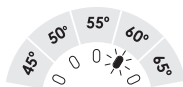
Der Standard — Temperaturbereich für den Heizpatronenbetrieb beträgt 30-60°C. Es besteht die Möglichkeit diesen Bereich entweder zu vergrößern oder zu verkleinern, indem Sie die maximale Temperatur zwischen 45°C und 65°C einstellen (min. Temperatur 30°C bleibt unverändert). Das erlaubt Ih-

nen eine höhere max. Temperatur zu erreichen und zugleich eine genauere Steuerung der Heizpatrone bei niedrigen Temperaturen zu erzielen.

Beispiel: Regelungsbereich bis 45°C (30-45°C) und Änderung um einen Aufsatz (eine Diode) ist als Temperatursteigerung/senkung um 3,75°C zu verstehen. Regelungsbereich bis 65°C (30-65°C) und Änderung um einen Aufsatz ist als Temperatursteigerung/senkung um 8,75°C zu verstehen.



Wenn der Temperaturbereich geändert werden soll, nehmen Sie den Stecker aus der Steckdose heraus. Indem Sie nun die Taste  $\odot$  gedrückt halten, stecken Sie erneut den Stecker in die Steckdose. Auf der Dioden-Anzeige beginnt eine einzelne Diode zu pulsieren. Mit den Tasten  $\oplus$  und  $\ominus$  wählen Sie eine der 5 max. Temperaturtuten aus. Die erste Diode zeigt die Temperatur von 45°C an. Alle anderen wie folgt: 50°C, 55°C, 60°C, 65°C. Nach dem Drücken der Taste  $\odot$ , werden die Eingaben gespeichert. Die Heizpatrone arbeitet nun mit den neuen Einstellungen.

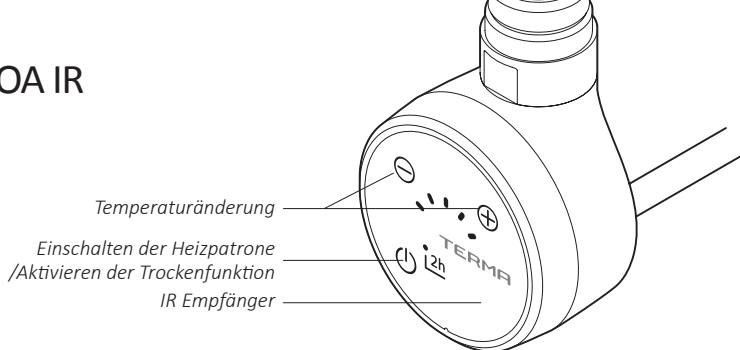


## Problembhebung

Problem	Möglicher Grund des Fehlers	Behebung
Heizpatrone ist an das Stromnetz angeschlossen keine der Dioden leuchtet, Heizpatrone heizt nicht.	Das Problem betrifft den Anschluss.	Prüfe den Anschluss des Anschlusskabels und die Steckdose.
Heizpatrone heizt nicht, die externen Dioden blinken wechselweise.	Die Heizpatrone meldet eine Fehlfunktion, der Temperatursensor wurde beschädigt.	Schalte die Heizpatrone aus und warte bis sie abkühlt. Dann schalte sie wieder ein.
	Es kam zur Überhitzung.	Bitte beachten Sie, dass die Leistung der Heizpatrone die empfohlene Leistung des Heizkörpers nicht übersteigt. Prüfen und möglicherweise reduzieren Sie die Temperatur des Heizmediums in der Heizungsinstallation (darf nicht mehr als 82°C sein). Ist der Heizkörper nicht an eine Heizungsanlage angeschlossen, überprüfen Sie ob der Heizkörper richtig befüllt ist.
Heizpatrone heizt trotzdem sie mit der Taste $\odot$ ausgeschaltet wurde.	Elektronik wurde beschädigt.	Schalte die Heizpatrone aus und warte bis sie abkühlt. Dann schalte sie wieder ein.
Wurde das Problem nicht gelöst, bitte Kontakt mit Ihrem Verkäufer aufnehmen.		



# MOA IR



Das Einschalten der Heizpatrone mit der Taste ⊕ verursacht, dass der Heizkörper bis zur gewünschten Temperatur aufheizt. Sobald diese erreicht wird, wird sich das Gerät zeitweise Ein- und Ausschalten um die eingestellte Temperatur einzuhalten.

Der Aufbau der Heizpatrone, sowie die physikalischen Eigenschaften des Heizmediums, tragen dazu bei, das die unteren Rohre (vor allem die 2 untersten) eine niedrigere Temperatur aufweisen können, als der Rest des Heizkörpers — das ist ganz normal.

## Temperatureinstellung

Um die Temperatur zu erhöhen, drücke Sie bitte die Taste ⊕ so viele male, bis die gewünschte Anzahl der Dioden anfängt zu blinken. Die vorprogrammierte Leistungsstufe zeigt die letzte blinkende Diode an. Die aktuell erreichte Leistungstemperatur zeigt die letzte leuchtende (nicht blinkende) Di-

ode an. Die Dioden werden, eine nach der anderen aufhören zu blinken, und anfangen auf Dauer zu leuchten, solange die maximal eingestellte Temperatur nicht erreicht wird.

## Absenkung der temperatur

Um die Temperatur zu senken, drücke Sie bitte die Taste ⊖ so viele male, bis die gewünschte Anzahl der Dioden anfängt zu blinken. Die vorprogrammierte Leistungsstufe zeigt die letzte leuchtenden Diode an. Die aktuell erreichte Leistungstemperatur zeigt die letzte blinkende Diode an. Die Dioden werden, eine nach der anderen erlöschen, solange der Heizkörper abkühlen wird.

## Antifreeze (Frostschutz)

Wenn der Heizstab ausgeschaltet ist und die Raumtemperatur die Temperaturschwelle ca 6°C erreicht, wird der Heizstab automatisch eingeschaltet, so dass das Heizmedium innerhalb des Heizkörpers nicht einfriert. Das Einschalten der ANTIFREEZE Funktion signalisiert das Blinken der mittleren Diode.

## Trockenfunktion

Die Trockenfunktion schaltet das Gerät für 2 Stunden ein, um z.B. ein Handtuch zu trocknen. Nach Ablauf dieser Zeit, kehrt das Gerät automatisch in den Betriebszustand zurück, bevor das die Trockenfunktion aktiviert worden ist. Um die Trockenfunktion einzuschalten drücken und halten Sie die Taste  $\ominus$  (auch wenn die Heizpatrone bereits eingeschaltet ist) – die Trockenfunktion beginnt mit der vorher eingestellten Heiztemperatur. Das Gerät fängt mit der zuletzt eingestellten Temperatur an zu arbeiten, welche beliebig während des Betriebs, modifiziert werden kann (Tasten  $\oplus$  und  $\ominus$ ).

Wenn die Heizpatrone vor der Aktivierung der Trockenfunktion ausgeschaltet war, so wird das Gerät auch nach Beendigung der Trockenfunktion (nach 2 Stunden) automatisch wieder ausgeschaltet.

Um die Funktion im beliebigen Moment auszuschalten, Taste  $\ominus$  drücken.

## Fernsteuerung (mit IR-Sender)

Wenn sich im Umfang der Heizpatrone eine IR – Fernsteuerung befindet, welche die richtigen Steuersignale sendet, schaltet die Heizpatrone automatisch auf IR – Betrieb um, sobald sie das erste IR – Signal empfängt. Bei dieser Einstellung heizt die Heizpatrone mit der durch die Fernsteuerung vorgegebenen Heizkraft, es wird aber weiterhin geprüft, dass die Heizkörpertemperatur nicht über 60°C steigt. Der Fernbetrieb wird durch das Leuchten der mittleren Diode signalisiert. Wenn die IR – Verbindung länger als 25 Minuten unterbrochen wird, wird das Gerät den Fernbetrieb automatisch abschalten und wieder in den vorher eingestellten Modus zurückkehren. Das nächste empfangene IR – Signal schaltet den Fernbetrieb erneut ein. Während des Fernbetriebs kann man die Trockenfunktion einschalten (in diesem Fall schaltet die Heizpatrone nach Ablauf des Timers nicht ab, sondern kehrt wieder in den Fernbetriebsmodus zurück).

## Skalieren des Temperaturbereiches

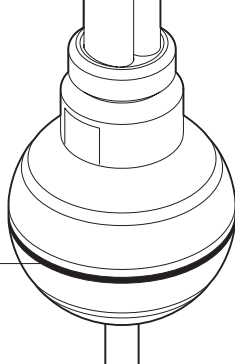
*Wie beim Modell MOA*

## Problembhebung

*Wie beim Modell MOA*

## REG 2

*Ring, der den Betrieb der Heizpatrone signalisiert*



Einschalten der Heizpatrone verursacht, dass der Heizkörper bis zur Temperatur 65° C aufheizt. Sobald diese erreicht wird, wird sich das Gerät zeitweise Ein- und Ausschalten um diese Temperatur einzuhalten.

Die Basisversion beinhaltet keinen Schalter — die wird mit Hilfe des Steckers eingeschaltet (oder auf Dauer ans Stromnetz angeschlossen).

Der leuchtende Ring signalisiert, die Heizpatrone ist ans Stromnetz angeschlossen.

In der Version +W verfügt die Heizpatrone über einen Schalter am Stecker.

Der Aufbau der Heizpatrone, sowie die physikalischen Eigenschaften des Heizmediums, tragen dazu bei, das die unteren Rohre (vor allem die 2 untersten) eine niedrigere Temperatur aufweisen können, als der Rest des Heizkörpers — das ist ganz normal.

## Problemsituationen

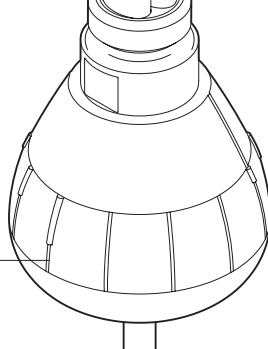
Sollte eine falsche Arbeit der Heizpatrone festgestellt werden:

- Prüfen Sie ob das Gerät richtig ans Stromnetz angeschlossen ist,
- Prüfen Sie ob im Heizkörper das Heizmedium nicht fehlt.

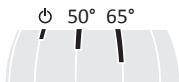
Sollte trotzdem die Heizpatrone nicht funktionieren, muss Sie demontiert und zum Verkäufer zurückgebracht werden.

## REG 3

Regelring mit Einstellstufen



Das Einschalten der Heizpatrone verursacht, dass der Heizkörper bis zur gewünschten Temperatur aufheizt. Sobald diese erreicht wird, wird sich das Gerät zeitweise Ein- und Ausschalten um die eingestellte Temperatur einzuhalten.



Der Aufbau der Heizpatrone, sowie die physikalischen Eigenschaften des Heizmediums, tragen dazu bei, dass die unteren Rohre (vor allem die 2 untersten) eine niedrigere Temperatur aufweisen können, als der Rest des Heizkörpers — das ist ganz normal.

## Problemsituationen

Sollte eine falsche Arbeit der Heizpatrone festgestellt werden:

- Prüfen Sie ob das Gerät richtig ans Stromnetz angeschlossen ist,
- Prüfen Sie ob im Heizkörper das Heizmedium nicht fehlt.

Sollte trotzdem die Heizpatrone nicht funktionieren, muss Sie demontiert und zum Verkäufer zurückgebracht werden.

# Garantiebedingungen

1. Die Garantie gilt für elektrische Heizpatronen. Das Modell und die wichtigsten Eigenschaften wurden auf der Verpackung beschrieben.
2. Mit der Produktabnahme bestätigt der Kunde die Vollwertigkeit des Produktes. Bei der Feststellung von jeglichen Mängeln, sollte der Verkäufer sofort daran in Kenntnis gesetzt werden, in anderem Falle wird angenommen, dem Kunden wurde ein mangelfreies Produkt verkauft. Dies betrifft vor allem die Oberfläche der Steuerung.
3. Die Garantie beträgt 24 Monate vom Kaufdatum, jedoch nicht länger als 36 Monate vom Produktionsdatum.
4. Voraussetzung der Inanspruchnahme der Garantieleistung ist der Kaufbeleg. Wird dieser nicht vorgelegt, verfügt der Hersteller über das Recht, den Garantieanspruch abzuweisen.
5. Die Garantie gilt nicht für Schäden, die aus folgenden Gründen entstanden sind:
  - auf Grund einer falschen Montage, Bedienung oder Demontage (nicht mit der Betriebsanweisung übereinstimmend),
  - falscher Einsatzbereich des Heizelementes (nicht mit dessen Bestimmung übereinstimmend),
  - nach Eingriff in das Gerät von dazu unbefugten Personen,
  - aus Schuld des Kunden nach dem Kauf.
6. Die Heizanlage sollte mit Ventilen ausgestattet werden, die eine Demontage des Heizkörpers bzw. Heizpatrone ohne Entleerung der gesamten Anlage ermöglichen. Probleme oder Kosten, die durch das Fehlen solcher Ventile in der Anlage verursacht worden sind, werden nicht von Terma getragen.
7. Die Bedienungsanleitung gilt als integraler Teil der Garantiekarte und sollte vor Inbetriebnahme des Produktes, gründlich gelesen werden.
8. Der Hersteller verpflichtet sich zur Fehlerbeseitigung innerhalb von 14 Tagen vom Eingang des bemängelnden Produktes in den Firmensitz.
9. Sollte der Fehler nicht beseitigt werden können, stellt der Hersteller ein neues, funktionsfähiges Exemplar mit den gleichen Kenndaten zur Verfügung.

# Mode d'emploi

Nos produits ont été conçus et fabriqués pour répondre à toutes les exigences de qualité, de fonctionnalité et d'esthétique. En vous félicitant de votre achat, nous vous souhaitons beaucoup de satisfaction dans l'usage de nos produits.

## Radiateur sèche-serviettes

### Règles de sécurité pour usage et installation

1. Ne pas installer le radiateur sèche-serviettes directement sous une prise de courant.
2. Le radiateur sèche-serviettes électrique doit être soigneusement rempli de la quantité appropriée du liquide calorporteur. En cas de perte du liquide ou chaque autre cas nécessitant son remplissage, veuillez contacter le revendeur.
3. Cet appareil n'est pas équipé d'un régulateur de température ambiante\*).

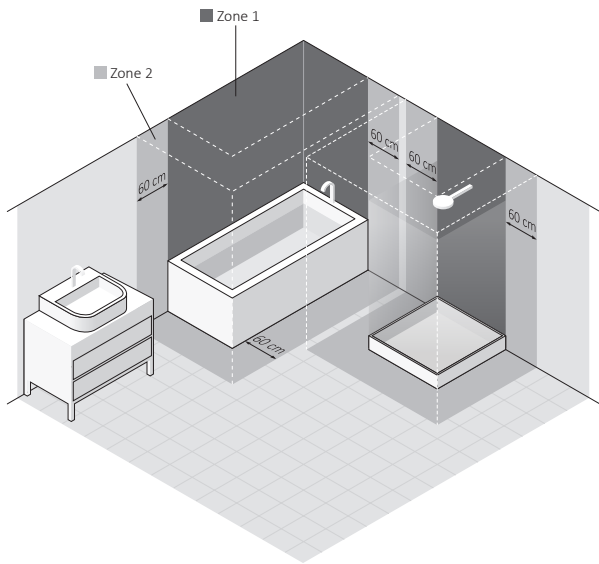
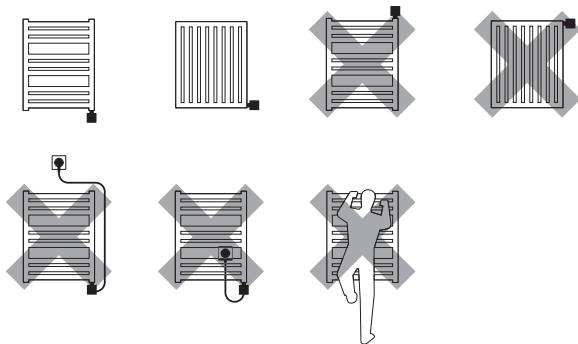
Ne pas l'utiliser dans les petits espaces dans la présence des personnes incapables de quitter la pièce indépendamment, sauf si la surveillance constante est assurée.

\*) Ne s'applique pas aux modèles sélectionnés. Demander le revendeur pour les détails complémentaires.

4. Le radiateur sèche-serviettes n'est pas un jouet. Ne laisser sans surveillance les enfants de moins de 3 ans autour du radiateur. Les enfants de 3 à 8 ans ne peuvent utiliser l'appareil raccordé et correctement installé que sous la surveillance ou après avoir été formé sur l'usage de l'appareil en toute sécurité.
5. Attention : Certaines parties du radiateur sèche-serviettes peuvent être élevées et peuvent provoquer des brûlures. Porter une attention particulière en cas de la présence des enfants ou des personnes handicapées.
6. Si l'appareil est utilisé comme un sèche-linge, n'y sécher des tissus lavés dans de l'eau seulement.
7. Afin de protéger les enfants de tous dangers, il est conseillé d'installer le radiateur sèche-serviettes de sorte que le tube le plus bas soit positionné au minimum à 600 mm au-dessus du sol.
8. Le radiateur doit être installé par un professionnel qualifié, ayant connaissance des normes de sécurités en vigueur et la mise en place dans les règles de l'art.
9. Toutes installations auxquelles est raccordé l'appareil doivent être conformes aux règlements du pays en vigueur (p.ex. la norme NFC 15.100 pour la France).
10. Pour l'alimentation du kit résistances, il est interdit d'utiliser des rallonges ou des adaptateurs de prises électriques.

11. Tout en connectant le radiateur à l'installation électrique, assurez-vous que le circuit comporte un disjoncteur à courant résiduel (R.C.D.) de 30 mA et un disjoncteur de surintensité approprié. Dans le cas de l'installation permanente (raccordement via un câble droit sans fiche) il est indispensable d'avoir dispositif de coupure omnipolaire à l'aide des contacts de 3 mm est obligatoire.
12. La version de l'appareil marquée PB peut être installée dans les salles de bains dans la zone 1, telle que définie par la loi applicable, sous réserve des règlements distincts relatifs aux installations électriques dans les zones humides.  
  
Autres versions de l'appareil peuvent être installées dans la zone 2 ou au-delà de cette dernière.
13. Utiliser l'appareil uniquement à des buts auxquels il a été destiné et conformément à son mode d'emploi.
14. S'assurer si le radiateur sèche-serviettes a été posé conformément au mode d'emploi.
15. Veuillez passer le matériel ci-dessous à l'utilisateur final du radiateur sèche-serviettes.





# Kit résistance électrique

## Consignes de sécurité — installation

1. L'installation du kit résistances ne peut être effectuée que par un installateur professionnel.
2. Raccorder l'appareil uniquement à une installation électrique effectuée correctement (voir données sur la plaque signalétique).
3. Le fonctionnement de l'élément chauffant, sans être immergé, ne peut dépasser les 3 secondes.
4. Il est interdit de mettre en marche l'appareil dans un radiateur sans du liquide.
5. Ne jamais laisser le câble d'alimentation toucher les éléments chauds du kit résistances ou du radiateur.
6. Ne pas mettre sous tension le radiateur lors du montage ou du démontage de celui-ci.
7. Ne pas intervenir à l'intérieur de l'appareil.
8. La puissance du kit résistances ne doit pas dépasser la puissance du radiateur suivant les paramètres 75/65/20 °C du fabricant .

9. La pression dans le radiateur ne doit pas dépasser les 10 atm. A) Version tout électrique : veuillez-vous assurer de laisser un coussin d'air approprié afin de compenser la dilatation du fluide caloporteur. B) Version mixte (raccordé à l'installation eau chaude) veuillez laisser une vanne ouverte afin de laisser la libre dilatation thermique du fluide caloporteur.
10. L'appareil est destiné à un usage domestique et ne doit pas être utilisé à d'autres fins.
11. La mise en place du radiateur doit répondre aux normes et à la réglementation du pays en vigueur. Que ce soit pour un raccordement hydraulique ou électrique.

## Consignes de sécurité — usage

1. Pour un bon fonctionnement, l'élément chauffant du kit électrique doit être entièrement immergé dans un liquide caloporteur.
2. Contrôler régulièrement si l'appareil n'a pas été endommagé et s'il est utilisé en toute sécurité.
3. Le câble d'alimentation endommagé, l'appareil ne peut être plus utilisé. Débrancher l'appareil et contacter le fabricant ou le distributeur le plus proche.

4. Ne pas mettre en contact un liquide et le boîtier électrique.
5. Ne jamais raccorder l'appareil à l'installation eau chaude où la température d'eau dans la radiateur peut dépasser 82 °C.
6. Le corps du radiateur ou le kit résistances peuvent atteindre des températures élevées. Rester prudent lors du contact avec l'appareil.
7. Ne jamais ouvrir le boîtier d'appareil.
8. Version mixte (raccordé à l'installation eau chaude) veuillez laisser une vanne ouverte afin de laisser la libre dilatation thermique du fluide caloporteur.
9. L'appareil peut être utilisé par des enfants ou des personnes à capacité réduite seulement sous surveillance d'une tiers personne.
10. Protéger contre les enfants.
11. Entretien : nettoyer une fois l'appareil déconnecté du réseau eau chaude ou électrique.
12. Nettoyage de l'appareil par des enfants de moins de 8 ans seulement en surveillance.

# Objectif de fonctionnement

Kit résistances est un appareil électrique destiné à être installé uniquement dans des radiateurs transformés en version électrique ou mixte.

Il est indispensable que la puissance nominale du kit résistances soit rapprochée à la puissance du radiateur selon les paramètres 75/65/20 °C.

## Données techniques

Indication du modèle PB (Câble droit sans fiche) \*  
(type du câble d'alimentation) : PW (Câble droit avec fiche)  
SW (Câble spirale avec fiche)

Type du raccordement électrique : Y : MEG, MOA, MOA IR, REG 3, DRY  
Z : REG 2

Alimentation : 230 V / 50Hz

Puissances disponibles : 120, 200, 300, 400, 600, 800, 1000, 1200 [W]

Indice de protection de l'appareil : Classe I

Raccordement au radiateur : G 1/2 "

Indice de protection du boîtier [IP] : IPx4 : MEG  
IPx5 : REG 2, REG 3, MOA, MOA IR, DRY

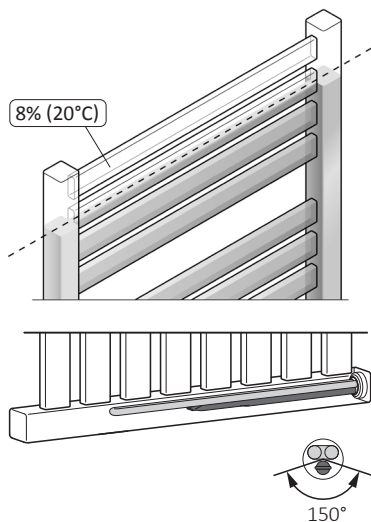
Longueur de la résistance chauffante : 

120	200	300	400	600	800	1000	1200	[W]
315	275	300	335	365	475	565	660	[mm]

\* Appareil destiné à être connecté directement dans l'installation


# Installation et démontage

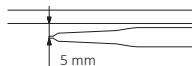
Des informations détaillées sur les différentes façons d'installer ou de démonter un kit résistances dans un radiateur sont disponibles auprès du fabricant ou de l'importateur (voir le bas de page à la fin du manuel). Ci-dessous la liste des exigences et des principes de base qui doivent être suivies pour assurer un fonctionnement fiable de l'appareil à long terme.



Lors de l'installation du kit résistances horizontalement, la tube unique de la résistance avec le capteur doit être située au point le plus bas possible.

Avant d'installer et de mettre en marche l'appareil :

1. Lire attentivement le chapitre : *Consignes de sécurité — installation.*
2. Installer le kit résistances uniquement à l'aide d'une clé plate (taille  22).
3. Installer le kit en bas du radiateur, perpendiculairement aux tubes du radiateur, tout en gradant de l'espace nécessaire pour une circulation correcte du fluide caloporteur.
4. Utiliser uniquement les facteurs appropriés : de l'eau, des produits spéciaux à la base d'eau et de glycol utilisés dans le chauffage central, de l'huile : conformément aux exigences du fabricant du radiateur et du kit résistances.
5. Vérifiez la distance entre les différents tubes de l'élément chauffant et recourbez si nécessaire.



6. Ne jamais mettre en marche le kit résistances si ce dernier n'est pas entièrement couvert du liquide.
7. S'assurer de laisser un coussin d'air approprié afin de compenser la dilatation du fluide caloporteur (version électrique) ou laisser une vanne ouverte afin de laisser la libre dilatation thermique du fluide caloporteur (version mixte).
8. Ne pas remplir le radiateur avec du liquide de température supérieure à 65 °C.
9. Brancher le kit résistances selon le schéma :
  - a. Fil marron — phase (L).
  - b. Fil bleu — neutre (N).
  - c. Fil jaune-vert — mise à la terre (PE).
10. Avant de remplir le radiateur du liquide s'assurer si la connexion radiateur- kit résistances reste étanche.
11. Installation doit être équipée des vannes permettant d'arrêter le radiateur.
12. Température du fluide dans l'installation ne doit pas dépasser 82 °C !
13. Des consignes détaillées se trouvent à la fin du présent mode d'emploi.

## Démontage de l'appareil :

- 1 Débrancher l'appareil et s'assurer si le radiateur n'est plus chaud.
- 2 Attention : radiateur rempli du liquide peut être assez lourd. Garder la prudence.
- 3 Avant le démontage s'assurer si l'eau du radiateur ou de l'installation ne provoquera des dommages (en cas de besoin couper des vannes adéquates, vider le radiateur, etc.).

## Recyclage de l'appareil



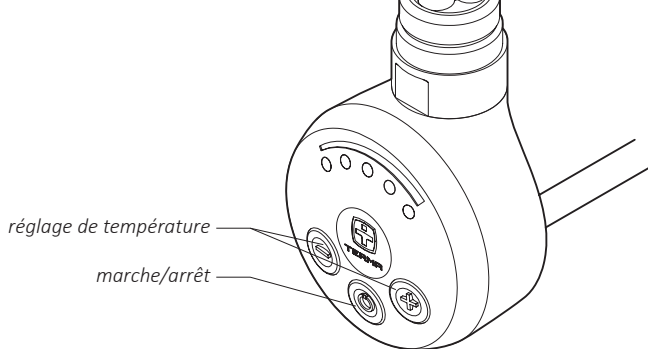
Ne pas jeter l'appareil avec des déchets ménagers. Retourner-le au point de collecte et de recyclage d'appareils des équipements électriques et électroniques. En informe l'icône sur le produit, sur le mode d'emploi et sur l'emballage. Demander le vendeur ou contacter le fabricant pour trouver le point de collecte et de recyclage le plus proche. Merci de contribuer à la protection de l'environnement.

## Entretien

- Débrancher l'appareil avant chaque nettoyage.
- Vérifier régulièrement le niveau du liquide dans le radiateur et maintenir la résistance complètement submergée.
- Nettoyer l'appareil avec un tissu propre et sec ou légèrement humide avec peu de détergent, sans des solvants et des abrasifs.



# MEG



Mise en marche de l'appareil provoque le réchauffement du radiateur à la température demandée. Une fois cette température atteinte, l'appareil se met en alternance en marche et en arrêt, tout en maintenant la température indiquée.

Construction de l'appareil, ainsi que les propriétés physiques du fluide caloporteur, provoquent le fait que les tubes inférieures (deux dernières en particulier) restent moins chaudes : cet effet est tout à fait naturel.

## Augmenter la température

Afin d'augmenter la température, appuyer le bouton ⊕ une ou plusieurs fois jusqu'au moment où le nombre de diodes adéquat se mette à clignoter. Température de consigne est indiquée par la dernière diode clignotante, température actuelle est indiquée par la dernière diode allumée constamment. Diodes s'allument séquentiellement

en fonction de l'augmentation de la température d'appareil.

## Baisser la température

Afin de baisser la température, appuyer le bouton ⊖ une ou plusieurs fois jusqu'au moment où le nombre de diodes adéquat se mette à clignoter. Température de consigne est indiquée par la dernière diode allumée constamment, température actuelle est indiquée par la dernière diode clignotante. Les diodes s'éteignent séquentiellement en fonction de l'abaissement de la température d'appareil.

## Fonction hors gel (anti-freeze)

Si l'appareil est arrêté et la température dans l'environnement du capteur de température descend au-dessous du seuil 6 °C, l'appareil se mettra automatiquement en marche, afin de

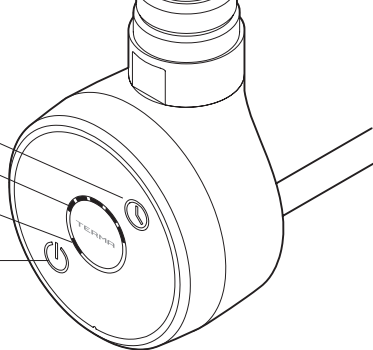
protéger le fluide caloporteur contre le gel.  
Fonction ANTIFREEZE active, est indiquée par  
le clignotement de la diode centrale.

## Guide de dépannage

Problème	Cause probable	Action recommandée
Appareil branché, les diodes ne s'allument pas.	Problème du raccordement.	Vérifier le raccordement du câble et la prise.
Appareil ne chauffe pas, les diodes clignotent en alternance.	Capteur de température en panne.	Débrancher l'appareil. Attendre jusqu'au moment où il refroidisse. Brancher à nouveau.
	Surchauffe.	Assurez-vous si la puissance du kit résistances ne dépasse pas la puissance recommandée du radiateur. Vérifier et réduire si nécessaire la température du fluide caloporteur dans l'installation à eau chaude (ne pas dépasser 82°C). Le radiateur ne pas raccordé à l'installation à eau chaude, vérifier s'il a été correctement rempli du fluide caloporteur.
Appareil chauffe malgré la mise en arrêt via le bouton $\Phi$ .	Partie électronique en panne.	Débrancher l'appareil. Attendre jusqu'au moment où il refroidisse. Brancher à nouveau.
Si le problème se répète, contacter Le Vendeur.		

# DRY

- Bouton TIMER
- Indicateur TIMER
- Indication du fonctionnement du kit
- Mise en marche et en arrêt



## Fonctions

Kit résistances DRY possède 1 réglage de la température de chauffe (par défaut 48 °C) et la plage étendue des options disponibles d'arrêt de chauffe automatique de 1 à 5 heures. Cette fonctionnalité rend le produit particulièrement adapté pour le séchage d'une manière facile et pratique.

Il existe une possibilité de modifier la température de chauffe vers : 43, 48, 52, 55, 60 °C qui, une fois activée, sera enregistrée et constituera un nouveau niveau de la température de chauffe de l'appareil. Capteur de température intégré protège le radiateur contre le gel si l'appareil détecte une température inférieure à 5-7 °C. Protection contre le gel active est signalée par la diode LED près de l'interrupteur clignotant périodiquement .

## Usage

Appuyer la touche  $\odot$  afin de mettre l'appareil en marche. La diode LED qui se trouve près de la touche s'allume une fois l'appareil est en marche et quand le régulateur maintient la température de chauffe. Attention : le système de contrôle du fonctionnement de l'appareil active le dispositif de chauffage seulement quand la température du radiateur est inférieure à la température réglée (par défaut 48 °C). Une fois la température atteinte, le kit se met en marche périodiquement afin de maintenir la température demandée. Grâce à cette fonction, la consommation de l'énergie reste réduite par rapport aux calculs théoriques effectués selon la puissance nominale du kit. Le bouton à droite (TIMER) sert à régler le temps après lequel le kit se mettra automatiquement en arrêt. Chaque appui consécutif du bouton TIMER fait allumer la diode suivante en réglant le temps de chauffe de

1 à 5 heures. Après ce temps-là, l'appareil se mettra en arrêt.



Information supplémentaire :

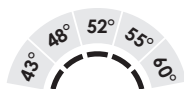
- Un long appui du bouton  règle le chauffage sur 5 heures direct ou met le TIMER en arrêt.
- Le bouton  reste actif aussi quand le kit est en arrêt. Appuyé une fois, le kit se met en marche avec le réglage de TIMER 1 heure.
- Afin de mettre le TIMER en arrêt, il faut appuyer quelque fois la touche ou, tout simplement, arrêter et remettre en marche l'appareil.
- Diodes LED de l'indicateur TIMER s'éteignent avec le passage du temps restant à l'arrêt.

Construction de l'appareil ainsi que les propriétés physiques des fluides caloriporateurs peuvent provoquer la répartition irrégulière de la température dans le radiateur y compris le fait que des tubes en bas du radiateur restent froids. Cet effet est tout à fait normal et n'est pas le résultat du fonctionnement incorrect du kit résistances.

## Changement de température de chauffe — réglage d'usine

Le kit résistances est programmé d'usine afin de chauffer avec de la température du 48 °C. Il est pourtant possible de modifier la valeur de température en effectuant l'action suivante :

1. Débrancher l'appareil de la source d'alimentation (p.ex. retirer la fiche de la prise).
2. Simultanément appuyer la touche  et brancher l'appareil.
3. Relâcher la touche .
4. Une des 5 diodes du TIMER commencera à clignoter sur le panneau. Choisir la nouvelle valeur de la température à l'aide de la touche selon la grille ci-dessous :



5. Patienter 10 secondes ensuite appuyer la touche TIMER afin de confirmer la nouvelle valeur choisie.

## Alerte de panne

Le kit DRY est équipé de la fonction d'alerte de panne. Ce dernier est signalisé par les diodes du panneau TIMER : deux diodes en extrémités sont allumées en permanence. Diode centrale clignote et fait des pauses. Le nombre de clignotements indique le code de panne :

- a) « Marche à sec » (Code : 2 clignotements)  
— Le système électronique a détecté le manque du liquide caloporteur à l'intérieur du radiateur. Vérifier l'alimentation du radiateur.
- b) « Surchauffe » (Code : 3 clignotements)  
— Température du fluide caloporteur trop élevée.
  - Si le kit continue à chauffer malgré la mise en arrêt — panne de la partie électronique, nécessité de réparation au service.
  - Si le kit est monté dans le radiateur mixte (raccordé à l'installation eau chaude), l'alerte ne signifie pas la panne du kit résistances mais indique la température excessive de l'eau. Veiller à ce que la température de l'eau dans l'installation ne dépasse pas 82 °C sous le risque de panne du fusible thermique à l'intérieur du kit.

- c) « Capteur de température en panne » (Code : 4 clignotements) — panne de la partie électronique probable. Nécessité de réparation au service.
- d) « Alerte contre la circulation ouverte de l'eau dans l'installation eau chaude » (Code : 5 clignotements) — le risque de la perturbation de la circulation eau chaude à cause d'une fuite de la chaleur dans l'installation.

Attention : en fermant les vannes de l'installation eau chaude, il est nécessaire d'en laisser une ouverte de sorte de protéger contre l'augmentation de la pression dans le radiateur.

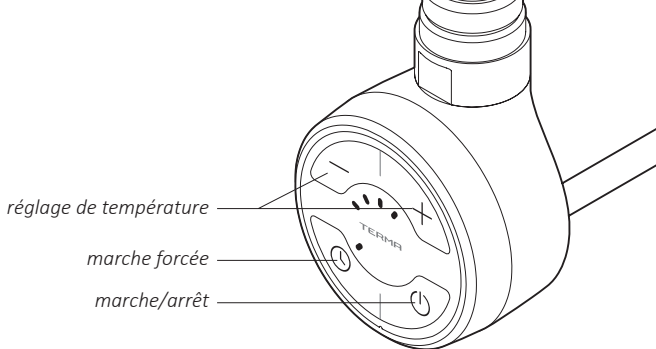
Afin de supprimer l'alerte de panne : arrêter et remettre en marche le kit résistances.

En cas d'une alerte de panne quelconque, mettre le kit en arrêt et attendre jusqu'au moment où le radiateur refroidisse. Analyser la cause d'une panne et l'éliminer avant la mise en marche. Si le problème continue — contacter le vendeur ou le fabricant.

## Guide de dépannage

Problème	Cause probable	Action recommandée
Le kit signale une panne (diodes en extrémités sont allumées, diode centrale cli-gnote).	Voir description des alertes de panne ci-dessus.	Suivre les indications du chapitre « Alerte de panne ».
Le radiateur reste froid, les diodes sont allumées correctement.	Fusible thermique endom-magé. Panne de la partie électronique.	Nécessité de réparer le pro-duit au service.
Il est impossible de mettre le kit en marche. Les diodes ne sont pas allumées.	Problème de raccordement. Panne de la partie électro-nique.	Vérifier le raccordement du kit à la source d'alimen-tation. Si tout est correcte-ment raccordé il est néces-saire de réparer l'appareil au service.
L'appareil chauffe malgré la mise en arrêt.	Panne de la partie électro-nique.	Nécessité de réparer le pro-duit au service.
La mise en marche dé-clenche la protection de l'installation électrique.	Endommagement mécha-nique du kit à cause de la pression excessive dans le radiateur (manque d'un coussin d'air approprié).	Nécessité de réparer le pro-duit au service.
	Isolement électrique de la résistance chauffante affai-bli ou un autre endomma-gement.	Contacteur l'installateur afin de détecter la source du problème. Contacter le SAV du fabriquant.

# MOA



Mise en marche à l'aide du bouton ⊕ provoque le réchauffement du radiateur à la température demandée. Une fois cette température atteinte, l'appareil se met en marche et en arrêt en alternance, tout en maintenant la température indiquée.

Construction de l'appareil, ainsi que les propriétés physiques du fluide caloporteur, provoquent le fait que les tubes inférieures (deux dernières en particulier) restent moins chaudes : cet effet est tout à fait normal.

## Augmenter la température

Afin d'augmenter la température, appuyer le bouton ⊕ une ou plusieurs fois jusqu'au moment où le nombre de diodes adéquat se mette à clignoter. Température de consigne est indiquée par la dernière diode clignotante, température actuelle est indiquée par la dernière diode allumée constamment. Diodes s'allument séquentiellement

en fonction de l'augmentation de la température d'appareil.

## Baisser la température

Afin de baisser la température, appuyer le bouton ⊖ une ou plusieurs fois jusqu'au moment où le nombre de diodes adéquat se mette à clignoter. Température de consigne est indiquée par la dernière diode allumée constamment, température actuelle est indiquée par la dernière diode clignotante. Les diodes s'éteignent séquentiellement en fonction de l'abaissement de la température d'appareil.

## Fonction hors gel (antifreeze)

Si l'appareil est arrêté et la température dans l'environnement du capteur de température descend au-dessous du seuil 6 °C,

l'appareil se mettra automatiquement en marche, afin de protéger le fluide caloporteur contre le gel. Fonction ANTIFREEZE active est indiquée par le clignotement de la diode centrale.

## Fonction marche forcée

MARCHE FORCÉE met l'appareil en marche pour une durée de 2 heures. Une fois les 2 heures passées, l'appareil reprend le réglage précédent.

Afin de mettre la fonction MARCHE FORCÉE en marche, appuyer  $\ominus$  (aussi si l'appareil est en arrêt). Appareil se met en marche avec la température précédemment réglée. Il est également possible de la modifier à tout moment (boutons  $\oplus$  et  $\ominus$ ).

Si, avant la mise en marche de fonction marche forcée, l'appareil restait en arrêt, il s'arrêtera automatiquement une fois le séchage terminé.

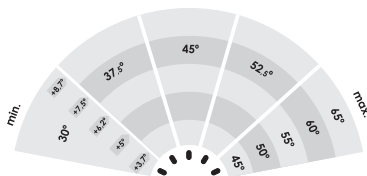
Afin d'arrêter la fonction à tout moment, appuyer  $\ominus$ .

## Graduer la plage de température

La plage de température standard de l'appareil est 30-60 °C. Il est possible d'élargir ou de rétrécir la plage de température en réglant la température maximale entre

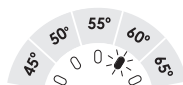
45 °C et 65 °C (température minimale 30 °C reste invariable). Cela permet d'atteindre la température maximale plus élevée que la température standard ainsi que de contrôler plus précisément les températures basses.

Exemple : pour la plage à 45 °C (30-45 °C) la modification d'un réglage (une diode), signifie augmenter/baisser la température de 3,75 °C. Pour la plage à 65 °C (30-65 °C) la modification d'un réglage signifie augmenter/baisser la température de 8,75 °C.



Afin de modifier la plage de température, débrancher la prise tout en appuyant le bouton  $\ominus$  et brancher à nouveau. Une diode clignotante apparaît. Régler une de 5 températures maximales possibles à l'aide des boutons  $\oplus$  et  $\ominus$ . La première diode correspond à une température 45 °C. Les diodes suivantes : 50 °C, 55 °C, 60 °C, 65 °C.

Après avoir appuyé le bouton  $\ominus$  l'appareil reprend le travail avec le nouveau réglage.

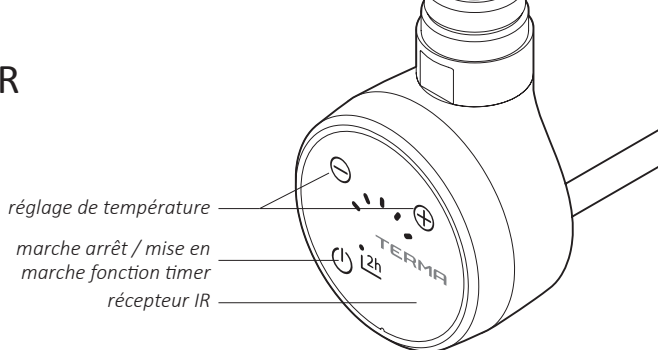




## Guide de dépannage

Problème	Cause probable	Action recommandée
Appareil branché, les diodes ne s'allument pas.	Problème du raccordement.	Vérifier le raccordement du câble et la prise.
Appareil ne chauffe pas, les diodes clignotent en alternance.	Capteur de température en panne.	Débrancher l'appareil. Attendre jusqu'au moment où il refroidisse. Brancher à nouveau.
	Surchauffe.	Assurez-vous si la puissance du kit résistances ne dépasse pas la puissance recommandée du radiateur. Vérifier et réduire si nécessaire la température du fluide caloripporteur dans l'installation à eau chaude(ne pas dépasser 82°C). Le radiateur ne pas raccordé à l'installation à eau chaude, vérifier s'il a été correctement rempli du fluide caloripporteur.
Appareil chauffe malgré la mise en arrêt à l'aide du bouton $\odot$ .	Partie électronique en panne.	Débrancher l'appareil. Attendre jusqu'au moment où il refroidisse. Brancher à nouveau.
Si le problème se répète, contacter le Vendeur.		

# MOA IR



Mise en marche à l'aide du bouton  $\ominus$  provoque le réchauffement du radiateur à la température demandée. Une fois cette température atteinte, l'appareil se met en marche et en arrêt en alternance, tout en maintenant la température indiquée.

Construction de l'appareil, ainsi que les propriétés physiques du fluide caloporteur, provoquent le fait que les tubes inférieures (deux dernières en particulier) restent moins chaudes : cet effet est tout à fait normal.

## Augmenter la température

Afin d'augmenter la température, appuyer le bouton  $\oplus$  une ou plusieurs fois jusqu'au moment où le nombre de diodes adéquat se mette à clignoter. Température de consigne est indiquée par la dernière diode clignotante, température actuelle est indiquée par la dernière diode allumée constamment. Diodes s'allument séquentiellement

en fonction de l'augmentation de la température d'appareil.

## Baisser la température

Afin de baisser la température, appuyer le bouton  $\ominus$  une ou plusieurs fois jusqu'au moment où le nombre de diodes adéquat se mette à clignoter. Température de consigne est indiquée par la dernière diode allumée constamment, température actuelle est indiquée par la dernière diode clignotante. Les diodes s'éteignent séquentiellement en fonction de l'abaissement de la température d'appareil.

## Fonction hors gel (antifreeze)

Si l'appareil est arrêté et la température dans l'environnement du capteur de température descend au-dessous du seuil 6 °C,

l'appareil se mettra automatiquement en marche, afin de protéger le fluide caloporteur contre le gel. Fonction ANTIFREEZE active est indiquée par le clignotement de la diode centrale.

## Fonction marche forcée

MARCHE FORCÉE met l'appareil en marche pour une durée de 2 heures. Une fois les 2 heures passées, l'appareil reprend le réglage précédent.

Afin d'activer la fonction MARCHE FORCÉE, appuyer longuement la touche  $\ominus$  (aussi possible quand le kit résistances est en arrêt) – l'appareil se met à fonctionner avec la température dernièrement réglée. Appareil se met en marche avec la température précédemment réglée. Il est également possible de la modifier à tout moment (boutons  $\oplus$  et  $\ominus$ ).

Si, avant la mise en marche de fonction marche forcée, l'appareil restait en arrêt, il s'arrêtera automatiquement une fois le séchage terminé.

Afin d'arrêter la fonction à tout moment, appuyer  $\ominus$ .

## Mode à distance (communication sans fil)

Si la même pièce il y a un programmeur externe infrarouge IR émettant des signaux de communication, le premier signal correctement réceptionné mettra le kit résistances en mode de travail à distance. Dans ce mode, le kit résistances chauffe avec la puissance indiquée par le programmeur externe, tout en contrôlant que la température du radiateur ne dépasse pas 60°C. Mode à distance est signalisé par la diode centrale allumée en permanence. Perte de communication entre les deux appareils pendant plus de 25 minutes, le kit résistances quittera le mode à distance et continuera à chauffer selon le dernier réglage. Le signal suivant correctement réceptionné, le kit se mettra à nouveau en mode à distance.

Il est possible d'activer la fonction MARCHE FORCÉE en mode à distance (dans ce cas, une fois les deux heures passées, le kit ne se mettra pas en arrêt mais recommencera à réceptionner des signaux du programmeur externe).

## Graduer la plage de température

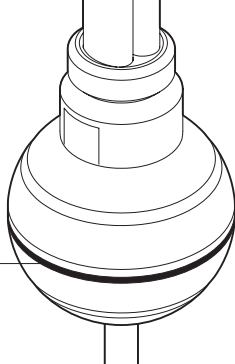
*comme dans le modèle MOA*

## Guide de dépannage

*comme dans le modèle MOA*

## REG 2

*Anneau signalant le fonctionnement du kit résistance.*



Mise en marche d'appareil provoque le réchauffement du radiateur à la température de 65 °C. Une fois cette température atteinte, l'appareil se met en marche et en arrêt en alternance, tout en maintenant cette température.

Version standard du kit résistance n'est pas équipée d'interrupteur dans le boîtier. Il est mis en marche une fois la prise branchée (raccordée à la source d'alimentation).

Anneau allumée signifie le raccordement du kit résistance à la source d'alimentation.

Version nommée « + W » est équipée d'interrupteur placé sur la fiche.

Construction du kit résistances, ainsi que les propriétés physiques du fluide caloporteur, provoquent le fait que les tubes inférieures (deux dernières en particulier) restent moins chaudes : cet effet est tout à fait normal.

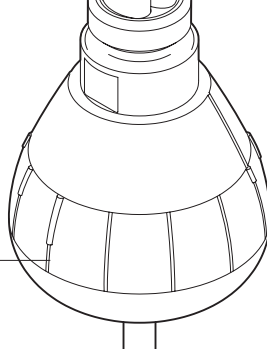
## Guide de dépannage

Si le kit résistance ne fonctionne pas correctement :

- Vérifier le raccordement à la source d'alimentation.
- Vérifier si le radiateur a été rempli du fluide caloporteur correctement.

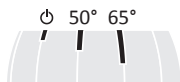
Si, malgré tout, l'appareil ne fonctionne toujours pas correctement, il est conseillé de le démonter et rendre au vendeur.

## REG 3



Anneau avec marqueurs de réglage

Mise en marche d'appareil, provoque le réchauffement du radiateur à la température demandée. Une fois cette température atteinte, l'appareil se met en alternance en marche et en arrêt, tout en maintenant la température indiquée.



Construction de l'appareil, ainsi que les propriétés physiques du fluide caloporteur, provoquent le fait que les tubes inférieures (deux derniers en particulier) restent moins chaudes : cet effet est tout à fait normal.

## Guide de dépannage

Si le kit résistances ne fonctionne pas correctement :

- Vérifier le raccordement à la source d'alimentation.
- Vérifier si le radiateur a été rempli du fluide caloporteur correctement.

Si, malgré tout, l'appareil ne fonctionne toujours pas correctement, il est conseillé de le démonter et rendre au vendeur.

# Conditions de garantie

1. La garantie concerne le kit résistances électrique fabriqué par Terma Sp. z o.o. Nom du modèle et les caractéristiques sont indiqués sur l'emballage.
2. Client confirme l'état non défectueux d'appareil à la réception. En cas d'un défaut quelconque, il est obligé d'en informer le Vendeur. Dans le cas contraire, on estimera que le produit n'a pas été défectueux. Cela concerne en particulier la surface du boîtier.
3. La période de garantie est de 24 mois à compter de la date d'achat mais pas plus de 36 mois de la date de fabrication.
4. La base de l'application de garantie est une preuve d'achat du produit. Le fabricant se réserve le droit de refuser l'application de la garantie si le document n'est pas présenté.
5. La garantie ne s'applique pas en cas des endommagements causés par :
  - montage ou démontage incorrect (non respect des consignes du présent mode d'emploi),
  - usage de la résistance chauffante à des buts auxquels elle n'a pas été destinée,
  - intervention des personnes non autorisées sur le produit,
  - faute du Client après la réception du produit.
6. Le réseau d'installation doit être équipé des vannes d'arrêt permettant le démontage du radiateur ou du kit résistance sans vider le fluide caloporteur de toute installation. Problèmes ou coûts causés par l'absence de telles vannes ne sont pas pris en charge par Terma.
7. Le mode d'emploi joint fait la partie intégrale de la présente garantie. Il est recommandé d'en prendre connaissance avant tout usage d'appareil.
8. La fabricant s'engage à remédier au défaut dans les 14 jours ouvrables à compter de la date de réception à l'usine du produit endommagé.
9. Si la réparation de l'appareil s'avère impossible, le fabricant s'engage à le remplacer par le produit neuf et identique.

# Manuale d'uso

I nostri prodotti sono stati progettati e realizzati in modo tale da garantire che tutti i requisiti di qualità, di funzionalità e di estetica siano soddisfatti. Vi ringraziamo per la Vs. scelta e vi auguriamo un piacevole utilizzo.

## Radiatore elettrico

### Guida per l'installazione ed un sicuro utilizzo

1. Non installare il riscaldatore/dispositivo sotto la presa di corrente
2. Il radiatore elettrico deve essere riempito con una quantità accuratamente misurata di liquido. In caso di perdita del liquido di riscaldamento o per qualsiasi altra informazione, contattare il rivenditore.
3. Il dispositivo non è dotato di un regolatore di temperatura ambiente \*).

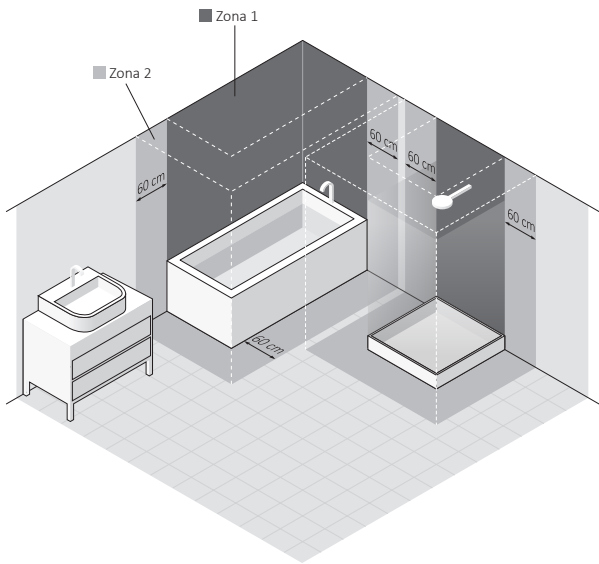
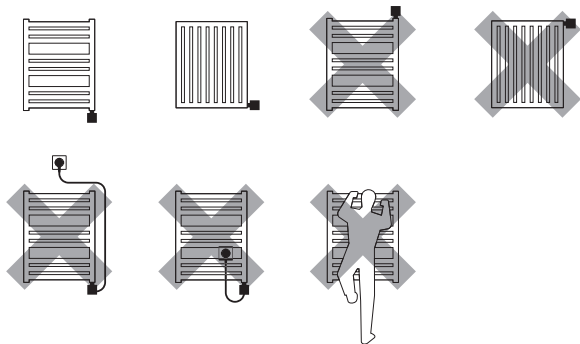
Non utilizzarlo in piccole stanze dove possono esserci persone disabili (incapaci di lasciare la stanza), a meno che sia previsto un costante controllo.

\*) Non si applica ai modelli selezionati. Chiedete al vostro rivenditore per i dettagli.

4. Il dispositivo elettrico non è un giocattolo. I bambini sotto i 3 anni non devono poter interagire con il dispositivo, senza un adeguato controllo.  
  
I bambini dai 3 agli 8 anni, se sono supervisionati o sono stati addestrati per operare in sicurezza e per comprendere i rischi, possono azionare il dispositivo solo quando questo è correttamente installato e collegato.
5. Nota: Durante il funzionamento, alcune parti del radiatore può essere molto calde e possono causare scottature. Prestare particolare attenzione alla presenza di bambini o di persone con disabilità.
6. Se il dispositivo è usato come asciugatore di vestiti e di asciugamani, i capi devono essere lavati in sola acqua.
7. Al fine di proteggere i bambini molto piccoli, installare il dispositivo elettrico in modo tale che il tubo più basso del radiatore sia ad almeno 600 mm sopra il pavimento.
8. L'apparecchio deve essere installato solo da un installatore qualificato in conformità con tutte le normative vigenti in materia di sicurezza e con altre norme locali.
9. Tutti gli impianti a cui è collegato il dispositivo devono essere conformi alle normative vigenti nel paese, sia per l'installazione che per l'utilizzo.
10. Prolunghes di cavi elettrici o adattatori elettrici non devono essere utilizzati per alimentare il dispositivo.



11. Durante il collegamento del radiatore all'impianto elettrico, accertarsi che il circuito abbia un interruttore di corrente residua da 30 mA (differenziale) e un interruttore di sovracorrente appropriato. In caso di collegamento elettrico fisso (senza spina), è anche obbligatorio un interruttore omnipolare che scolleghi il dispositivo su tutti i poli, la cui distanza di separazione deve essere di almeno 3 mm.
12. Il dispositivo nella versione PB può essere installato nella Zona 1, come definito dalle normative vigenti, soggetto ad una differente regolamentazione che riguarda gli impianti elettrici in ambienti umidi.  
  
Le altre versioni del dispositivo possono essere installate in Zona 2 od oltre.
13. Il dispositivo è raccomandato per gli usi unicamente descritti nel manuale.
14. Assicurarsi che il dispositivo sia stato installato sulla parete conformemente al suo manuale di installazione.
15. Si prega di inoltrare questo manuale di istruzioni all'utente finale.



# Elemento elettrico riscaldante

## Requisiti di sicurezza — installazione

1. Il montaggio e il collegamento dell'elemento riscaldante / resistenza deve essere eseguito solo da un installatore qualificato.
2. Collegare l'unità ad un appropriato impianto elettrico (consultare i dati sulla targhetta).
3. L'accensione dell'elemento riscaldante all'aria aperta per la prova / test è consentita per un massimo di 3 secondi.
4. Non testare l'elemento scaldante se è già installato — non accenderlo in un radiatore vuoto!
5. Assicurarsi che il cavo di alimentazione non tocchi le parti calde della resistenza o del radiatore.
6. Prima di installare o rimuovere il dispositivo, assicurarsi che sia scollegato dall'impianto elettrico.
7. Non aprire il dispositivo — qualsiasi interferenza con i componenti interni invaliderà la garanzia.
8. La potenza termica della resistenza non deve superare la potenza termica dei radiatori secondo i parametri 75/65/20° C.

9. La pressione nel radiatore non deve superare le 10 atm. Per evitare un accumulo eccessivo di pressione causato dall'espansione termica del liquido, nei radiatori elettrici assicurarsi di lasciare un'adeguata quantità d'aria (cuscino d'aria), mentre nei radiatori misti, cioè collegati agli impianti di riscaldamento, lasciare una valvola aperta.
10. L'apparecchio è destinato solo all'uso domestico.
11. Il montaggio e l'installazione del dispositivo deve essere eseguito in conformità a tutte le normative locali per la sicurezza elettrica, compreso l'installazione nelle sole posizioni consentite (zone elettriche del bagno).

## Requisiti di sicurezza — uso

1. La resistenza del dispositivo deve essere completamente immerso nel liquido durante il suo funzionamento.
2. Controllare regolarmente che il dispositivo non sia danneggiato per assicurarsi che sia sicuro da usare.
3. Se il cavo di alimentazione è stato danneggiato il dispositivo non deve essere utilizzato. Scollegare il dispositivo e contattare il produttore o il distributore.

4. Non permettere che la custodia dell'elemento riscaldante venga sommerso o bagnato.
5. Non utilizzare il dispositivo negli impianti di riscaldamento dove la temperatura dell'acqua supera gli 82° C.
6. La resistenza e il radiatore possono raggiungere temperature elevate. Si prega di essere prudenti — evitare il contatto diretto con le parti calde delle apparecchiature.
7. Non aprire la custodia dell'elemento riscaldante.
8. Nei radiatori misti, cioè collegati al sistema di riscaldamento, assicurarsi sempre che una valvola del radiatore rimanga aperta.
9. Assicurarsi che i minori di età o chi non abbia sufficienti conoscenze siano supervisionati se utilizzano il dispositivo.
10. L'apparecchio non è un giocattolo. Tenere fuori dalla portata dei bambini.
11. L'apparecchio deve essere scollegato dall'impianto elettrico durante la pulizia e la manutenzione.
12. La pulizia effettuata da bambini di età inferiore agli 8 anni è consentita solo sotto opportuna supervisione.

# Destinazione d'uso del dispositivo

Il riscaldatore è un dispositivo elettrico destinato esclusivamente all'installazione in radiatori (elettrici o misti, cioè collegati al sistema di riscaldamento).

La potenza termica della resistenza del dispositivo dovrebbe essere scelta in base alla potenza termica nominale del radiatore secondo i parametri di installazione 75/65/20° C.

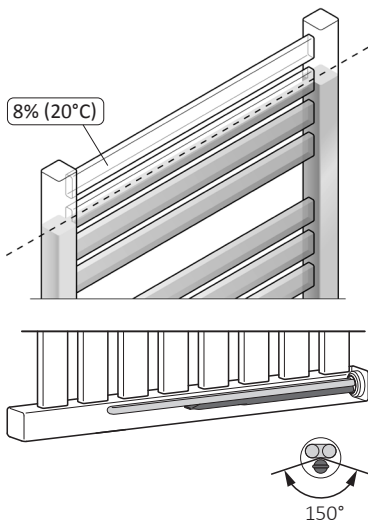
## Informazioni Tecniche

Versione del dispositivo (in funzione del tipo dei cavo di alimentazione)	PB (cavo diritto senza spina) * PW (cavo diritto con spina) SW (cavo a spirale con spina)
Tipo di collegamento elettrico:	Y: MEG, MOA, MOA IR, REG3, DRY Z: REG2
Alimentazione:	230 V / 50 Hz
Potenze termiche disponibili:	120, 200, 300, 400, 600, 800, 1000, 1200 [watt]
Classe di isolamento elettrico:	Classe I
Filetto di collegamento dello scaldasalvietta:	G 1/2"
Grado di protezione della cu- stodia [IP]:	IPx4: MEG IPx5: REG 2, REG 3, MOA, MOA IR, DRY
Lunghezza dell'elemento riscaldante / resistenza:	

\*Dispositivo destinato ad esser collegato permanentemente all'impianto.


# Installazione o rimozione

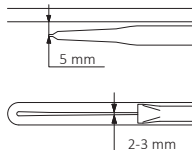
Le informazioni dettagliate circa le differenti modalità di installazione o di rimozione dell'elemento riscaldante del radiatore sono disponibili dal produttore o dall'importatore (vedere le note alla fine del manuale). Di seguito elenchiamo alcuni requisiti e principi base che devono essere seguiti per garantire un funzionamento affidabile e a lungo termine del dispositivo.



Quando si installa l'elemento riscaldante orizzontalmente, il capillare singolo con il sensore di temperatura deve essere posizionato nel punto più basso possibile.

## Prima dell'installazione o del primo utilizzo:

1. Leggere il capitolo *Requisiti di sicurezza — installazione*.
2. Montare l'elemento riscaldante con la chiave corretta (misura  22).
3. L'elemento riscaldante deve essere installato nella parte inferiore del radiatore, perpendicolare ai tubi del radiatore, preservando lo spazio necessario alla corretta circolazione del liquido di riscaldamento.
4. Utilizzare un adeguato liquido di riscaldamento per il riempimento del radiatore (acqua, prodotti speciali a base di acqua e glicole per l'utilizzo in impianti di riscaldamento, olio conforme con i requisiti del produttore del radiatore e dell'elemento riscaldante).
5. Verificare la distanza tra i singoli capillari dell'elemento riscaldante e, se necessario, piegarli.



6. Non accendere il dispositivo se la resistenza non è completamente immersa nel liquido di riscaldamento del radiatore.
7. Per evitare un accumulo eccessivo di pressione causato dall'espansione termica del liquido, nei radiatori elettrici assicurarsi di lasciare un'adeguata quantità d'aria (cuscino d'aria), mentre nei radiatori misti, cioè collegati agli impianti di riscaldamento, lasciare una valvola aperta.
8. Quando si riempie il radiatore con un liquido caldo assicurarsi che la sua temperatura non superi i 65° C.
9. Seguire le seguenti istruzioni quando si collega il dispositivo all'impianto elettrico:
  - a. Filo marrone — Fase (L)
  - b. Filo blu — Neutro (N)
  - c. Filo giallo e verde — Terra (PE).
10. Prima del riempimento del radiatore con il liquido di riscaldamento, assicurarsi che l'elemento riscaldante sia stato montato correttamente per garantire la tenuta stagna.
11. L'impianto di riscaldamento deve essere dotato di valvole che consentano lo smontaggio del radiatore dal resto dell'impianto.
12. La temperatura del liquido di riscaldamento nell'impianto di riscaldamento non deve superare gli 82° C!

13. Per consigli dettagliati sull'installazione — vedere le ultime pagine di questo manuale.

## Note prima della rimozione:

1. Prima dello smontaggio permanente, scollegare il dispositivo dall'impianto elettrico ed assicurarsi che il radiatore non sia caldo.
2. Siate consapevoli che un radiatore riempito con del liquido può essere molto pesante. Quando si sposta il radiatore, assicurarsi che si prendano tutte le necessarie precauzioni di sicurezza.
3. Prima dello smontaggio, chiudere le valvole appropriate e drenare il radiatore per evitare qualsiasi eventuale danno causato dalla acqua rimasta all'interno del radiatore.

## Smaltimento del prodotto



Questo prodotto non deve essere smaltito come rifiuto generico ma deve essere portato nel punto di raccolta per il riciclo delle apparecchiature elettriche ed elettroniche. Questa informazione è fornita dal simbolo sul prodotto, sul manuale e sull'imballaggio. L'informazione sul punto appropriato per lo smaltimento dei dispositivi utilizzati può essere fornito dal proprio distribu-



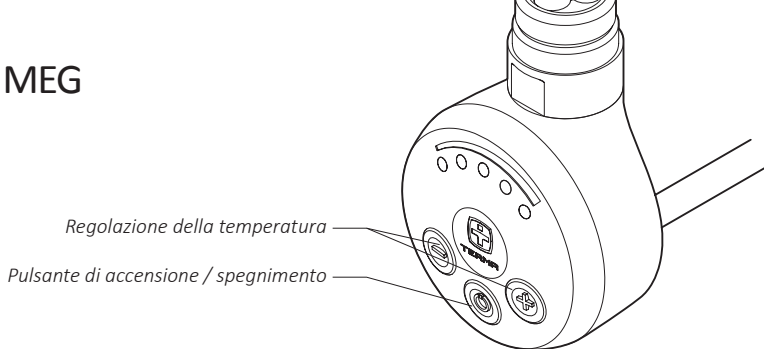
tore locale o dal produttore del prodotto.

Vi ringraziamo per l'impegno verso la tutela dell'ambiente.

## Manutenzione

- Prima di eseguire la manutenzione, staccare sempre la spina dell'unità dalla rete elettrica.
- Verificare periodicamente il livello del liquido nel radiatore e assicurarsi che la resistenza sia completamente sommersa.
- Pulire il prodotto solo con un panno asciutto o umido, o con una piccola quantità di detersivi, che non contenga solventi o sostanze abrasive.

# MEG



*Regolazione della temperatura*

*Pulsante di accensione / spegnimento*

L'accensione del dispositivo causa il riscaldamento del radiatore fino alla temperatura impostata. Dopo aver raggiunto la temperatura impostata il dispositivo si spegne e torna regolarmente a funzionare per mantenere la temperatura impostata.

La costruzione del dispositivo nonché le caratteristiche fisiche del liquido di riscaldamento all'interno del radiatore influenzano il modo in cui il calore viene distribuito — la temperatura dei tubi inferiori del radiatore (specialmente i due situati nella parte inferiore del radiatore) può essere inferiore alla temperatura delle restanti parti del radiatore — questo è un fenomeno normale.

## Aumento della temperatura

Per aumentare la temperatura del radiatore, premere il pulsante ⊕, una o più volte, come richiesto; il giusto numero di diodi LED inizierà a lampeggiare. L'ultimo diodo LED

lampeggiante indica la temperatura impostata, mentre l'ultimo diodo LED che brilla di luce costante indica la temperatura attuale. I successivi diodi LED inizieranno a brillare costantemente al raggiungimento dei successivi livelli di temperatura.

## Diminuzione della temperatura

Per diminuire la temperatura del radiatore, premere il pulsante ⊖ una o più volte, come richiesto; il giusto numero di diodi LED inizierà a lampeggiare. L'ultimo diodo LED che brilla costantemente indica la temperatura impostata, mentre l'ultimo diodo LED lampeggiante indica la temperatura attuale. I seguenti diodi LED inizieranno a dissolversi al raggiungimento dei successivi livelli di temperatura.


## Funzione antigelo (protezione antigelo)

Se il dispositivo è spento e la temperatura intorno al sensore scende sotto 6°C, il dispo-

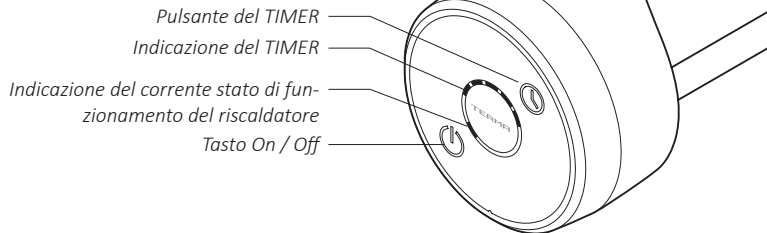
sitivo si accende automaticamente. Questo per evitare che il liquido di riscaldamento all'interno del radiatore si geli. L'attivazione della modalità antigelo è indicata dal lampeggiamento del diodo LED centrale.

---

## Risoluzione dei problemi

Problema	Possibile causa	Soluzione
Il dispositivo è collegato alla presa elettrica, i diodi LED non sono accesi.	Problema con il collegamento elettrico.	Controllare il collegamento del cavo di alimentazione, la spina e la presa elettrica.
L'elemento riscaldante non si scalda, i diodi LED esterni lampeggiano alternativamente.	Il sensore di temperatura è stato danneggiato.	Scollegare completamente il dispositivo, attendere che il radiatore si raffreddi e collegarlo nuovamente.
	Surriscaldamento del dispositivo.	Controllare e verificare che la potenza termica della resistenza non superi la resa termica del tuo radiatore. Controllare e ridurre la temperatura del liquido nell'impianto di riscaldamento – non deve superare gli 82°C. Nella versione puramente elettrica, controllare se il radiatore è correttamente riempito con il liquido di riscaldamento.
L'elemento riscaldante sta scaldando nonostante sia stato spento con il pulsante  .	Elettronica danneggiata.	Scollegare completamente il dispositivo, attendere che il radiatore si raffreddi e collegarlo nuovamente.
Se il problema persiste contattare il distributore locale.		



# DRY



## Funzioni




Il dispositivo DRY ha un livello di regolazione della temperatura dello scaldasalvietta (temperatura predefinita di 48° C) ed una ampia gamma di impostazioni per lo spegnimento automatico dopo 1-5 ore. Questo rende il prodotto ideale per asciugare vestiti ed asciugamani in un modo facile e conveniente. La temperatura predefinita di riscaldamento può essere cambiata a: 43, 48, 52, 55 o 60° C che diventerà la nuova temperatura impostata dello scaldasalvietta. Il sensore di temperatura integrato protegge lo scaldasalvietta dal congelamento nelle situazioni quando la temperatura scende al di sotto dei 5-7° C. Il diodo LED del tasto On / Off lampeggerà ripetutamente indicando l'attivazione della protezione antigelo.

## L'uso del riscaldatore

Il dispositivo viene acceso premendo il pulsante . Il diodo LED del pulsante On / Off è acceso quando il dispositivo è in funzione e il regolatore mantiene la temperatura di riscaldamento impostata. Attenzione: l'elettronica accende il dispositivo solo quando la temperatura del radiatore è inferiore alla temperatura impostata (temperatura predefinita di 48° C). Al raggiungimento della temperatura richiesta, il dispositivo si accende periodicamente solo al fine di mantenere la temperatura impostata. Grazie a ciò, il consumo di energia è molto più basso rispetto ai calcoli teorici basati sulla potenza termica nominale del dispositivo. Nella parte superiore / sinistra del pannello di controllo, c'è il pulsante del TIMER  (utilizzato per lo spegnimento automatico del dispositivo). Ogni successiva pressione del pulsante accende i diodi LED sull'indicatore del tempo di riscaldamento e permette la re-

golazione dei valori temporali da 1 a 5 ore. Trascorso questo tempo, il dispositivo si spegnerà automaticamente.




Vale la pena di sapere che:

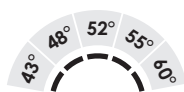
- premendo più a lungo il pulsante  automaticamente si imposta il tempo di 5 ore e si disattiva la funzione del TIMER,
- il pulsante  può essere utilizzato anche quando il dispositivo è spento. Premendo il pulsante, il dispositivo si accenderà automaticamente ed imposterà il TIMER a 1 ora,
- se si desidera spegnere la funzione del TIMER, premere il pulsante  più volte o semplicemente spegnere il dispositivo e riaccenderlo,
- i diodi LED del TIMER si spegneranno uno dopo l'altro mostrando il tempo passato di asciugatura.

La costruzione del dispositivo così come le caratteristiche fisiche dei vari liquidi di riscaldamento potrebbero causare una distribuzione irregolare del calore all'interno dello scaldasalvietta. Di conseguenza, i tubi inferiori dello scaldasalvietta potrebbero rimanere freddi. Tale fenomeno è del tutto normale e non è l'effetto di un'avaria del dispositivo.

## Modifica della temperatura di riscaldamento del radiatore

La temperatura predefinita del dispositivo è di 48°C. L'utente può modificare la temperatura di riscaldamento seguendo la procedura qui sotto:

1. Scollegare il dispositivo dall'impianto elettrico (per esempio staccando la spina).
2. Premere il pulsante  e ricollegare il dispositivo all'impianto elettrico mentre ancora lo si preme.
3. Rilasciare il pulsante .
4. Uno dei 5 diodi LED del TIMER inizierà a lampeggiare. Scegliere il valore di temperatura desiderato premendo il pulsante  finché il giusto diodo LED inizia a lampeggiare. I valori di temperatura per ciascun diodo LED sono riportati nella tabella seguente:



5. Attendere per 10 secondi o premere il pulsante TIMER per confermare il valore scelto.

## Avviso di malfunzionamento del dispositivo

Il dispositivo DRY è dotato di funzioni di allarme e di monitoraggio attivo dei guasti.

Il malfunzionamento del dispositivo viene segnalato nella seguente maniera: i due diodi LED esterni brillano di luce costante mentre i diodi LED al centro lampeggiano (diversi lampeggi seguiti da una pausa più lunga). La quantità dei lampeggi rappresenta i codici di errore come descritto di seguito:

- a) “Funzionamento in condizioni di asciutto” (codice di errore: 2 lampeggi) – il sistema elettronico ha identificato il problema indicando la mancanza del liquido di riscaldamento all'interno dello scaldasalvietta. Controllare se lo scaldasalvietta sia stato correttamente riempito.
- b) “surriscaldamento” (codice di errore: 3 lampeggi) – la temperatura del liquido di riscaldamento all'interno dello scaldasalvietta è troppo alta
  - Se il dispositivo riscalda nonostante sia stato spento, vi è una probabilità che l'elettronica sia stata danneggiata e che il dispositivo deve essere restituito per la riparazione

- Se il dispositivo è installato all'interno di uno scaldasalvietta collegato ad un sistema di riscaldamento con acqua calda, l'allarme non significa che il dispositivo sia stato danneggiato, ma segnala che la temperatura del liquido dell'impianto è troppo alta. Si prega di assicurarsi che la temperatura dell'acqua nell'impianto non superi gli 82° C in quanto potrebbe causare un danneggiamento del fusibile termico del dispositivo.

- c) “Sensore di temperatura danneggiato” (codice di errore: 4 lampeggi) – possibilità di un guasto del sistema elettronico. Il dispositivo necessita una riparazione.
- d) “Avvertimento per i sistemi ad acque aperte negli impianti di riscaldamento” (codice di errore: 5 lampeggi) – c'è il rischio che l'impianto di riscaldamento, a cui è collegato lo scaldasalvietta, abbia un'anomala circolazione del liquido di riscaldamento che cause la perdita di calore dall'impianto.

Attenzione: quando si chiudono le valvole dell'impianto di riscaldamento, assicurarsi che una valvola rimanga aperta. Questo eviterà che la pressione all'interno dello scaldasalvietta aumenti eccessivamente.

L'avviso di malfunzionamento può essere rimosso spegnendo e riaccendendo il dispositivo.

In caso di avviso di malfunzionamento, spegnere il dispositivo ed attendere che lo scaldasalvietta si raffreddi. Controllare il dispositivo e provare a rimuovere la possibile causa del malfunzionamento. Se il dispositivo segnala ancora il malfunzionamento

dopo la riaccensione, è necessario contattare il distributore più vicino del prodotto o, in alternativa, il fabbricante del prodotto.

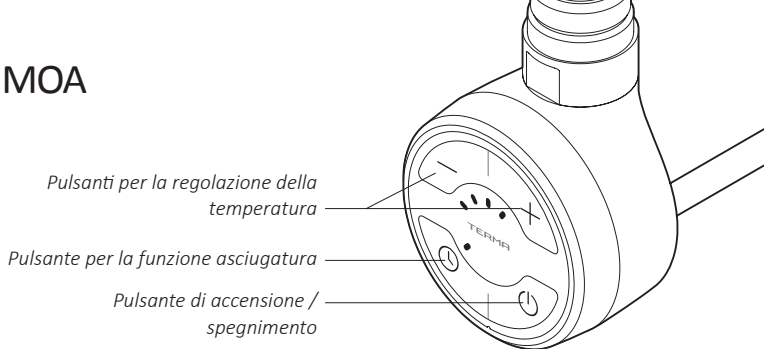
## Risoluzione dei problemi

Problema	Possibile causa	Soluzione del problema
Il dispositivo segnala avvisi di malfunzionamento (i diodi LED esterni brillano di luce costante, quelli intermedi lampeggiano).	Vedere la descrizione degli avvisi di malfunzionamento.	Seguire i passaggi indicati nella parte relativa agli “avvisi di malfunzionamento del dispositivo”
Il radiatore è completamente freddo, i diodi LED funzionano correttamente.	Il termo-fusibile è stato danneggiato, guasto dell’elettronica.	Il dispositivo deve essere restituito per la riparazione.
Il dispositivo è spento, non può essere acceso. I diodi LED non funzionano.	Senza alimentazione. Guasto dell’elettronica.	Verificare che il dispositivo sia correttamente collegato all’impianto elettrico. Se questo è corretto, il prodotto deve essere restituito per la riparazione.
Il dispositivo riscalda senza controllo, non può essere spento.	Danneggiamento dell’elettronica.	Il prodotto richiede una riparazione in un punto di assistenza autorizzato.

Problema	Possibile causa	Soluzione del problema
L'accensione del dispositivo causa l'attivazione dei dispositivi di sicurezza dell'impianto elettrico.	Danneggiamento meccanico del dispositivo derivante dall'eccessiva pressione all'interno del radiatore (senza cuscino d'aria).	Il prodotto richiede una riparazione in un punto di assistenza autorizzato.
	Danneggiamento dell'isolamento elettrico del dispositivo o altro danneggiamento.	Si prega di contattare un elettricista per verificare l'origine del problema. In alternativa, contattare un centro di assistenza autorizzato.



# MOA



*Pulsanti per la regolazione della temperatura*

*Pulsante per la funzione asciugatura*

*Pulsante di accensione / spegnimento*

L'accensione del dispositivo con il pulsante ⊕ causa il riscaldamento del radiatore fino alla temperatura impostata. Dopo aver raggiunto la temperatura impostata il dispositivo si spegne e torna regolarmente a funzionare per mantenere la temperatura impostata.

La costruzione del dispositivo nonché le caratteristiche fisiche del liquido di riscaldamento all'interno del radiatore influenzano il modo in cui il calore viene distribuito — la temperatura dei tubi inferiori del radiatore (specialmente i due situati nella parte inferiore del radiatore) può essere inferiore alla temperatura delle restanti parti del radiatore — questo è un fenomeno normale.

## Aumento della temperatura

Per aumentare la temperatura del radiatore, premere il pulsante ⊕ una o più volte, come richiesto; il giusto numero di diodi LED inizierà a lampeggiare. L'ultimo diodo LED lampeggiante indica la temperatura

impostata, mentre l'ultimo diodo LED che brilla con la luce costante indica la temperatura corrente. I seguenti diodi LED inizieranno a brillare costantemente al raggiungimento dei successivi livelli di temperatura.

## Diminuzione della temperatura

Per diminuire la temperatura del radiatore, premere il pulsante ⊖, una o più volte, come richiesto; il giusto numero di diodi LED inizierà lampeggiare. L'ultimo diodo LED che brilla costantemente indica la temperatura impostata, mentre l'ultimo diodo LED lampeggiante indica l'attuale temperatura. I seguenti diodi LED inizieranno a dissolversi al raggiungimento dei successivi livelli di temperatura.

## Funzione antigelo

Quando il dispositivo è spento e la temperatura intorno al sensore scende sotto 6°C, il dispositivo si accende automaticamen-

te. Questo per evitare che il liquido di riscaldamento all'interno del radiatore si geli. L'attivazione della modalità antigelo è indicata dal lampeggiamento del diodo LED centrale.

## Funzione Asciugatura (Dryer)

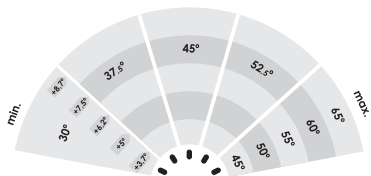
La funzione di asciugatura accende il dispositivo per 2 ore, per esempio per asciugare una salvietta. Dopo questo periodo di tempo il dispositivo torna automaticamente alla modalità precedente a quella dell'asciugatura. La funzione di asciugatura viene selezionata premendo il pulsante ☉ (anche quando il dispositivo è spento). Il dispositivo inizierà a lavorare con l'ultima temperatura impostata. Questa temperatura può essere modificata come richiesta mentre il dispositivo è in funzione (pulsanti ⊕ e ⊖). Se il dispositivo era spento prima che la modalità di asciugatura fosse attivata, allora il dispositivo si spegnerà automaticamente dopo che la modalità asciugatrice è terminata. Premere il pulsante ☉ in qualsiasi momento per interrompere la modalità di asciugatura.

## Taratura dell'intervallo di temperatura

L'intervallo di temperatura standard dell'elemento riscaldante è 30-60° C. E' possibile aumentare o diminuire tale intervallo modificando la temperatura massima tra i 45° C e i 65° C (la temperatura minima di 30° C rimane invariata). Questo consente di ottenere

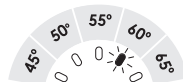
una temperatura massima superiore allo standard o di pilotare il dispositivo all'interno di temperature più basse.

Esempio: per la regolazione della temperatura fino a 45° C (30-45° C) la modifica di un passo (un diodo LED) comporta l'aumento / diminuzione della temperatura di 3,75° C, mentre per la regolazione della temperatura fino a 65° C (30-65° C) la modifica di un passo comporta l'aumento / diminuzione di 8,75° C.



Per modificare l'intervallo di temperatura, togliere la spina elettrica del dispositivo e ricollegarlo mentre si tiene premuto il pulsante ☉. Un singolo diodo LED inizierà a lampeggiare sul display. Utilizzare i pulsanti ⊕ e ⊖ per impostare una delle 5 possibili temperature massime. Il primo diodo LED è sinonimo di 45° C. I seguenti diodi led si riferiscono alle seguenti temperature massime : 50° C , 55° C , 60° C e 65° C.

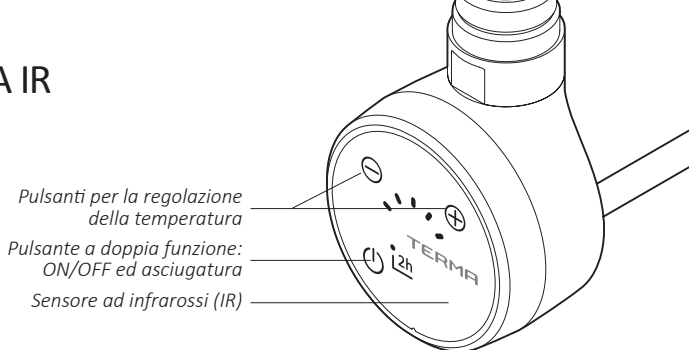
Dopo la selezione del nuovo intervallo di temperatura premere il pulsante ☉ per memorizzare le nuove impostazioni.



## Risoluzione dei problemi

Problema	Possibile causa	Soluzione
Il dispositivo è collegato alla presa elettrica, i diodi LED non sono accesi.	Problema con il collegamento elettrico.	Controllare il collegamento del cavo di alimentazione, la spina e la presa elettrica.
L'elemento riscaldante non si scalda, i diodi LED esterni lampeggiano alternativamente.	Il sensore di temperatura è stato danneggiato.	Scollegare completamente il dispositivo, attendere che il radiatore si raffreddi e collegarlo nuovamente.
	Surriscaldamento del dispositivo.	Controllare e verificare che la potenza termica della resistenza non superi la resa termica del tuo radiatore. Controllare e ridurre la temperatura del liquido nell'impianto di riscaldamento – non deve superare gli 82° C. Nella versione puramente elettrica, controllare se il radiatore è correttamente riempito con il liquido di riscaldamento.
Il dispositivo sta riscaldando nonostante sia stato spento con il pulsante (image $\Phi$ ).	Elettronica danneggiata.	Scollegare completamente il dispositivo, attendere che il radiatore si raffreddi e collegarlo nuovamente.
Se il problema persiste contattare il distributore locale.		

# MOA IR



L'accensione del dispositivo con il pulsante  $\ominus$  causa il riscaldamento del radiatore fino alla temperatura impostata. Dopo aver raggiunto la temperatura impostata il dispositivo si spegne e torna regolarmente a funzionare per mantenere la temperatura impostata.

La costruzione del dispositivo nonché le caratteristiche fisiche del liquido di riscaldamento all'interno del radiatore influenzano il modo in cui il calore viene distribuito — la temperatura dei tubi inferiori del radiatore (specialmente i due situati nella parte inferiore del radiatore) può essere inferiore alla temperatura delle restanti parti del radiatore — questo è un fenomeno normale.

## Aumento della temperatura

Per aumentare la temperatura del radiatore, premere il pulsante  $\oplus$  una o più volte, come richiesto; il giusto numero di diodi LED inizierà a lampeggiare. L'ultimo di-

do LED lampeggiante indica la temperatura impostata, mentre l'ultimo diodo LED che brilla con la luce costante indica la temperatura corrente. I seguenti diodi LED inizieranno a brillare costantemente al raggiungimento dei successivi livelli di temperatura.

## Diminuzione della temperatura

Per diminuire la temperatura del radiatore, premere il pulsante  $\ominus$ , una o più volte, come richiesto; il giusto numero di diodi LED inizierà lampeggiare. L'ultimo diodo LED che brilla costantemente indica la temperatura impostata, mentre l'ultimo diodo LED lampeggiante indica l'attuale temperatura. I seguenti diodi LED inizieranno a dissolversi al raggiungimento dei successivi livelli di temperatura.

## Funzione antigelo

Quando il dispositivo è spento e la temperatura intorno al sensore scende sotto 6° C, il dispositivo si accende automaticamente. Questo per evitare che il liquido di riscaldamento all'interno del radiatore si geli. L'attivazione della modalità antigelo è indicata dal lampeggiamento del diodo LED centrale.

## Funzione Asciugatura (Dryer)

La funzione di asciugatura accende il dispositivo per 2 ore, per esempio per asciugare una salvietta. Dopo questo periodo di tempo il dispositivo torna automaticamente alla modalità precedente a quella dell'asciugatura. La funzione di asciugatura viene selezionata premendo per 1 secondo il pulsante  $\odot$  (anche quando il dispositivo è spento). Il dispositivo inizierà a lavorare con l'ultima temperatura impostata. Questa temperatura può essere modificata come richiesta mentre il dispositivo è in funzione (pulsanti  $\oplus$  e  $\ominus$ ). Se il dispositivo era spento prima che la modalità di asciugatura fosse attivata, allora il dispositivo si spegnerà automaticamente dopo che la modalità asciugatrice è terminata. Premere il pulsante  $\odot$  in qualsiasi momento per interrompere la modalità di asciugatura.

## Modalità remota (comunicazione wireless ad infrarossi — IR)

Se nella stanza c'è un termostato programmabile ad IR, che invia opportuni segnali di controllo, al primo segnale ricevuto correttamente dal dispositivo MOA si attiverà automaticamente la modalità remota. In questa modalità, il dispositivo lavora in funzione delle impostazioni del controller esterno, verificando sempre che la temperatura del liquido all'interno del radiatore non superi i 60° C, circa. La modalità remota è segnalata da una costante illuminazione del LED centrale. In caso di perdita o interruzione della comunicazione per un periodo superiore a 25 minuti, il dispositivo esce dalla modalità remota, tornando nella modalità precedente. Ad un nuovo segnale ricevuto dal controller esterno, si riavvia la modalità remota.

Nella modalità remota, è possibile attivare la funzione di asciugatura (al termine del periodo temporale di questa funzione, il dispositivo non si spegne, ma seguirà le impostazioni del controller remoto).

## Taratura dell'intervallo di temperatura

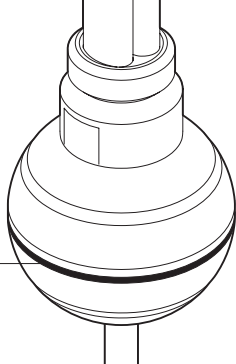
*come in MOA*

## Risoluzione dei problemi

*come in MOA*

## REG 2

*Anello indicante il funzionamento  
del dispositivo*



Accendendo il dispositivo, questo riscalda il radiatore fino a 65° C. Raggiunta questa temperatura, il dispositivo si accende e si spegne regolarmente per mantenere la temperatura costante.

La versione base del dispositivo non è dotata dell'interruttore On / Off sul corpo custodia — può essere acceso / spento inserendo la spina elettrica nella presa (o collegando permanentemente all'impianto elettrico). L'anello che brilla indica che il dispositivo è collegato al circuito elettrico .

La versione +W del dispositivo è inoltre dotato con l'interruttore On / Off sulla spina elettrica .

La costruzione del dispositivo nonché le caratteristiche fisiche del liquido di riscaldamento all'interno del radiatore influenzano il modo in cui il calore viene distribuito — la temperatura dei tubi inferiori del radiatore (specialmente i due situati nella parte

inferiore del radiatore) può essere inferiore alla temperatura delle restanti parti del radiatore — questo è un fenomeno normale .

### Situazioni di emergenza

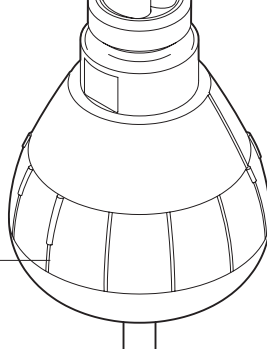
Se si dovessero riscontrare eventuali anomalie nel funzionamento del dispositivo, si prega di verificare che:

- Il dispositivo sia collegato correttamente all'impianto elettrico.
- Il radiatore sia riempito correttamente con il liquido di riscaldamento.

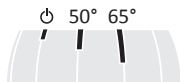
Se l'unità dell'elemento di riscaldamento continua a non funzionare correttamente, deve essere disinstallato e restituito al Venditore.

## REG 3

*Anello di regolazione della temperatura con indicatori impostati di temperatura.*



Accendendo il dispositivo, questo riscalda il radiatore fino alla temperatura impostata. Raggiunta la temperatura, il dispositivo si accende e spegne regolarmente per mantenerla.



La costruzione del dispositivo nonché le caratteristiche fisiche del liquido di riscaldamento all'interno del radiatore influenzano il modo in cui il calore viene distribuito — la temperatura dei tubi inferiori del radiatore (specialmente i due situati nella parte inferiore del radiatore) può essere inferiore alla temperatura delle restanti parti del radiatore — questo è un fenomeno normale.

### Situazioni di emergenza

Se si dovessero riscontrare eventuali anomalie nel funzionamento del dispositivo, si prega di verificare che:

- Il dispositivo sia collegato correttamente all'impianto elettrico.
- Il radiatore sia riempito correttamente con il liquido di riscaldamento.

Se l'unità dell'elemento di riscaldamento continua a non funzionare correttamente, deve essere disinstallato e restituito al Venditore.

# Termini e condizioni di Garanzia

1. Il soggetto di questa garanzia è l'elemento di riscaldamento elettrico Terma con testa di controllo. Il nome del prodotto e le caratteristiche sono specificate sulla confezione.
2. Accettando il dispositivo al momento dell'acquisto, il Cliente conferma che il prodotto è di intero valore. Il Cliente deve informare immediatamente il Venditore di eventuali anomalie riscontrate — altrimenti si intenderà che il prodotto era perfetto al momento dell'acquisto. Ciò si riferisce in particolare ad eventuali difetti o danni sulla custodia del pannello di controllo .
3. Il periodo di garanzia per il Prodotto è di 24 mesi dalla data di acquisto , ma non più di 36 mesi dalla data di produzione.
4. La prova di acquisto (ricevuta, fattura, ecc.) costituisce la base per la richiesta di garanzia. La mancanza della prova di acquisto consente al Produttore di respingere il reclamo.
5. Questa garanzia non comprende eventuali guasti dovuti a:
  - installazione, uso e smontaggio del dispositivo non corretto (non in conformità con il manuale),
  - non corretto uso dell'elemento riscaldante (es. per qualsiasi scopo che non è specificato dal Produttore come previsto per questo tipo di prodotto),
  - danni causati da manomissioni del prodotto da parte del cliente o da altre persone non autorizzate (come per esempio la rimozione della spina dal cavo)
  - eventuali guasti o danni causati dal Cliente dopo aver acquistato e accettato il Prodotto.
6. L'impianto di riscaldamento deve essere dotato di valvole di chiusura, consentendo lo smontaggio del radiatore o dell'elemento riscaldante e della testa di controllo senza la necessità di svuotare l'intero sistema del liquido di riscaldamento. Eventuali problemi o spese derivanti dalla mancanza di tali valvole nell'installazione non possono non essere utilizzati come pretesto per eventuali reclami nei confronti di Terma.
7. Il Manuale del Prodotto allegato è un elemento integrante della garanzia. Si prega di leggerlo attentamente prima dell'installazione e dell'uso del Prodotto.



8. Il Produttore è obbligato a rimuovere ogni difetto di produzione entro 14 giorni lavorativi dal ricevimento del dispositivo guasto nella sede del Costruttore.
9. Qualora la riparazione risultasse impossibile, il Produttore è obbligato a sostituire il prodotto difettoso con uno nuovo, una unità di intero valore con gli stessi parametri.

# Instrukcja Obsługi

Nasze wyroby zostały zaprojektowane i wyprodukowane tak, aby spełniały wszelkie wymagania jakości, funkcjonalności i estetyki. Gratulujemy udanego zakupu i życzymy dużo zadowolenia przy użytkowaniu nowego urządzenia.

## Grzejnik elektryczny

### Bezpieczny montaż i użytkowanie

1. Nie instaluj grzejnika bezpośrednio pod gniazdkiem elektrycznym.
2. Grzejnik elektryczny powinien być wypełniony dokładnie odmierzoną ilością cieczy. W przypadku stwierdzenia ubytku czynnika grzewczego oraz w każdym innym wymagającym jego uzupełnienia skontaktuj się ze sprzedawcą.
3. To urządzenie nie jest wyposażone w regulator temperatury pomieszczenia \*).

Nie używaj go w małych pomieszczeniach, gdy znajdują się w nich osoby niezdolne do samodzielnego opuszczenia pomieszczenia, chyba że jest zapewniony stały nadzór.

\*) nie dotyczy wybranych modeli. O szczegóły pytaj sprzedawcę.

4. Grzejnik elektryczny nie jest zabawką. Dzieci do lat 3 bez właściwego nadzoru nie powinny znajdować się w bezpośrednim otoczeniu grzejnika.

Dzieci w wieku od 3 do 8 lat mogą obsługiwać grzejnik wyłącznie, gdy jest on prawidłowo zainstalowany i podłączony, a dzieci są pod nadzorem lub zostały nauczone bezpiecznej obsługi i zrozumiały istniejące zagrożenia.

5. Uwaga: Niektóre części grzejnika mogą być bardzo gorące i mogą powodować oparzenia. Należy zwrócić szczególną uwagę w przypadku obecności dzieci lub osób niepełnosprawnych.
6. Jeżeli urządzenie wykorzystywane jest jako suszarka do ubrań i ręczników to susz tkaniny prane wyłącznie w wodzie.
7. W celu ochrony przed zagrożeniami dla bardzo małych dzieci, suszarka elektryczna do ubrań lub ręczników powinna być zainstalowana tak, aby najniższa rurka znajdowała się co najmniej 600 mm nad podłogą.
8. Urządzenie powinno być instalowane wyłącznie przez wykwalifikowanego instalatora zgodnie ze wszystkimi obowiązującymi regulacjami dotyczącymi bezpieczeństwa i pozostałymi przepisami.
9. Wszystkie instalacje, do których podłączone jest urządzenie powinny być zgodne z właściwymi przepisami obowiązującymi na danym obszarze.
10. Do zasilania grzałki nie wolno stosować przedłużaczy ani adapterów gniazdek elektrycznych.

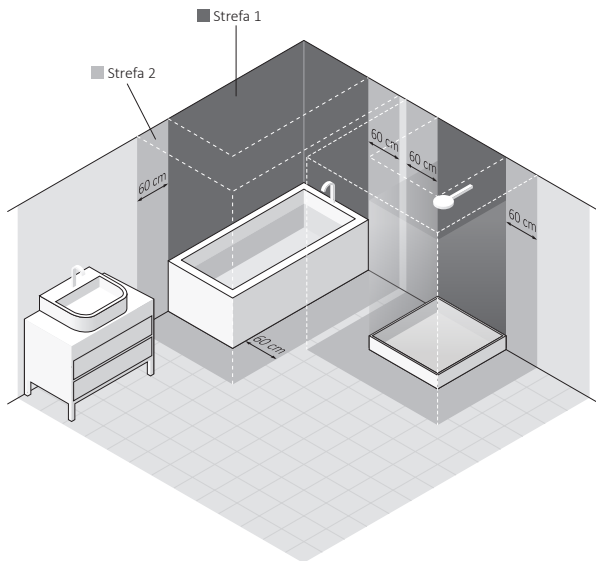
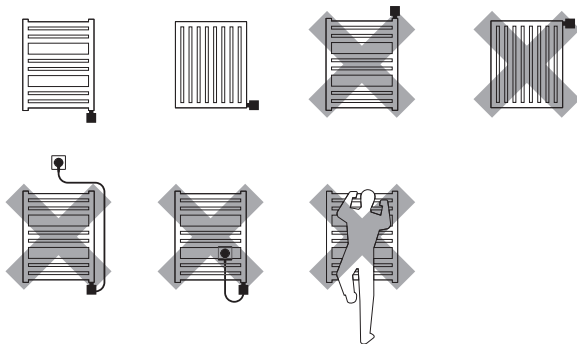
11. Należy zapewnić, aby obwód w instalacji elektrycznej, do którego podłączony jest grzejnik, posiadał właściwy wyłącznik nadmiarowo-prądowy oraz różnicowo-prądowy (R.C.D.) o czułości 30 mA.

Przy podłączeniu urządzenia do sieci na stałe (wersje nie posiadające kabla zasilającego z wtyczką) obowiązkowy jest również wyłącznik umożliwiający rozłączenie urządzenia na wszystkich biegunach za pomocą styków o odstępie 3 mm.

12. Urządzenie w wersji oznaczonej PB może być zainstalowane w łazience w strefie 1, zdefiniowanej przez właściwe przepisy, z zachowaniem odrębnych regulacji w zakresie wykonania instalacji elektrycznej w pomieszczeniach mokrych.

Pozostałe wersje urządzenia mogą być instalowane w strefie 2 lub poza nią.

13. Stosuj urządzenie wyłącznie zgodnie z jego przeznaczeniem opisanym w instrukcji obsługi.
14. Upewnij się, że grzejnik został zainstalowany na ścianie zgodnie z instrukcją jego montażu.
15. Niniejszy materiał informacyjny należy przekazać końcowemu użytkownikowi grzejnika.



# Grzałka elektryczna

## Wymagania bezpieczeństwa — instalacja

1. Montaż grzałki może wykonać wyłącznie instalator z właściwymi uprawnieniami.
2. Podłączaj urządzenie tylko do prawidłowo wykonanej instalacji elektrycznej (patrz dane znamionowe na grzałce).
3. Dopuszcza się krótkie włączenie zimnej grzałki na wolnym powietrzu na okres nie dłuższy niż 3 sekundy.
4. Bezwzględnie, nie wolno włączać grzałki w pustym grzejniku!
5. Zapewnij, aby przewód zasilający nie stykał się z gorącymi elementami grzałki lub grzejnika.
6. Podczas montażu lub demontażu, urządzenie nie może znajdować się pod napięciem.
7. Nie wolno ingerować we wnętrze urządzenia.
8. Moc grzałki nie może być większa od mocy grzejnika dla parametrów 75/65/20° C.
9. Ciśnienie w grzejniku nie może przekroczyć 10 atm. W grzejniku elektrycznym zapewnij poduszkę powietrzną, a w grzejniku podłączonym do

instalacji c.o. pozostaw 1 zawór otwarty, aby nie dopuścić do wzrostu ciśnienia na skutek rozszerzalności cieplnej cieczy.

10. Urządzenie przeznaczone jest do użytku domowego.
11. Montuj urządzenie zgodnie ze wszystkimi lokalnymi przepisami dotyczącymi wymagań bezpieczeństwa urządzeń elektrycznych, w tym dopuszczalnej lokalizacji i odległości od miejsc mokrych.

## Wymagania bezpieczeństwa — użytkowanie

1. Element grzejny podczas pracy musi być w pełni zanurzony w cieczy.
2. Regularnie sprawdzaj, czy urządzenie nie jest uszkodzone i czy użytkowanie jest bezpieczne.
3. Jeżeli przewód zasilający uległ uszkodzeniu, urządzenie nie nadaje się do użytku. Odłącz od zasilania i skontaktuj się z producentem lub dystrybutorem.
4. Nie dopuszczaj do zalania obudowy grzałki.
5. Nie stosuj grzałki w instalacji c.o., gdzie temperatura wody w grzejniku może przekraczać 82°C.

6. Grzejnik lub grzałka mogą rozgrzać się do wysokich temperatur. Postępuj ostrożnie przy kontakcie z grzejnikiem.
7. Nie otwieraj obudowy.
8. Podczas pracy grzałki w grzejniku podłączonym do instalacji c.o. zawsze zapewnij, aby jeden zawór pozostał otwarty.
9. Urządzenie może być używane przez dzieci powyżej 8 roku życia oraz osoby o ograniczonej sprawności umysłowej lub fizycznej wyłącznie pod nadzorem lub po przeszkoleniu dotyczącym zasad bezpiecznej obsługi i zagrożeń wynikających z użytkowania.
10. Urządzenie nie jest zabawką. Chronić przed dziećmi.
11. Czyszczenie można wykonywać wyłącznie po odłączeniu urządzenia od sieci zasilającej.
12. Czyszczenie urządzenia przez dzieci w wieku poniżej 8 lat dopuszczalne jest wyłącznie pod właściwym nadzorem.



# Przeznaczenie

Grzałka jest elektrycznym urządzeniem grzewczym przeznaczonym wyłącznie do wbudowania w grzejniki wodne (samodzielne lub podłączone do instalacji c.o.).

Grzałkę należy dobrać do grzejnika tak, aby jej moc znamionowa była zbliżona do mocy grzejnika dla parametrów 75/65/20° C.

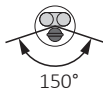
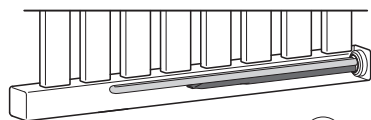
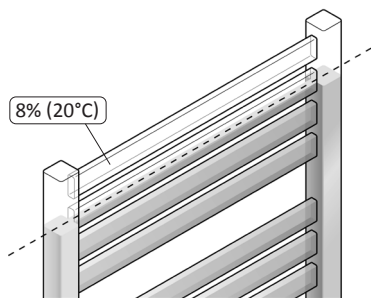
## Dane techniczne

Oznaczenie modelu (typ kabla zasilającego)	PB (Kabel prosty bez wtyczki)* PW (Kabel prosty z wtyczką) SW (Kabel spiralny z wtyczką)																		
Typ przyłącza elektrycznego	Y: MEG, MOA, MOA IR, REG 3, DRY Z: REG 2																		
Zasilanie	230 V / 50 Hz																		
Dostępne moce	120, 200, 300, 400, 600, 800, 1000, 1200 [W]																		
Klasa ochrony urządzenia	Klasa I																		
Przyłącze grzejnikowe	G 1/2"																		
Stopień ochrony obudowy [IP]	IPx4: MEG IPx5: REG 2, REG 3, MOA, MOA IR, DRY																		
Długość elementu grzejnego	<table border="1"><tr><td>120</td><td>200</td><td>300</td><td>400</td><td>600</td><td>800</td><td>1000</td><td>1200</td><td>[W]</td></tr><tr><td>315</td><td>275</td><td>300</td><td>335</td><td>365</td><td>475</td><td>565</td><td>660</td><td>[mm]</td></tr></table>	120	200	300	400	600	800	1000	1200	[W]	315	275	300	335	365	475	565	660	[mm]
120	200	300	400	600	800	1000	1200	[W]											
315	275	300	335	365	475	565	660	[mm]											

\* urządzenie przeznaczone do podłączenia na stałe do instalacji


# Instalacja lub demontaż

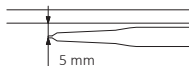
Szczegółowe informacje o różnych sposobach instalacji lub demontażu grzałki w grzejniku dostępne są u producenta lub importera (patrz stopka na końcu instrukcji). Poniżej zestawione zostały podstawowe wymagania i zasady, których należy bezwzględnie przestrzegać, aby zapewnić długotrwałą niezawodną pracę urządzenia.



Przy montażu grzałki w poziomie, pojedyncza rurka z czujnikiem powinna się znaleźć w możliwie najniższym punkcie.

## Uwagi przed instalacją lub pierwszym włączeniem:

1. Przeczytaj rozdział: *Wymagania bezpieczeństwa — instalacja*.
2. Wkręcaj grzałkę wyłącznie za pomocą właściwego klucza płaskiego (rozmiar  22).
3. Grzałkę należy instalować u dołu grzejnika, prostopadle do układu rurek, zachowując przestrzeń na właściwą cyrkulację czynnika grzewczego.
4. Stosuj właściwe czynniki grzewcze (woda, specjalne produkty na bazie wody i glikolu przeznaczone do stosowania w układach centralnego ogrzewania, oleje grzewcze o parametrach zgodnych z wymaganiami producenta grzałki i grzejnika).
5. Sprawdź odległości pomiędzy poszczególnymi rurkami elementu grzejnego i odegnij jeśli konieczne.



6. Nie włączaj grzałki, jeżeli nie jest w pełni zanurzona w cieczy.
7. Zapewnij środki ochrony przed zbyt dużym wzrostem ciśnienia w grzejniku (poduszka powietrzna w grzejniku elektrycznym, otwarty jeden z zaworów grzejnika w instalacji c.o.).
8. Nie zalewaj grzejnika cieczą o temperaturze wyższej niż 65° C.
9. Przy podłączaniu urządzenia na stałe do instalacji, stosuj się do następujących wytycznych:
  - a. Żyłą brązowa — podłączenie do obwodu fazowego (L).
  - b. Żyłą niebieska — podłączenie do obwodu neutralnego (N).
  - c. Żyłą żółto-zielona — podłączenie do uziemienia (PE).
10. Przed zalaniem grzejnika upewnij się, że połączenie grzałki i grzejnika gwarantuje szczelność.
11. Instalacja c.o. musi być wyposażona w zawory umożliwiające odcięcie grzejnika.
12. Temperatura czynnika w instalacji c.o. nie może przekraczać 82° C.
13. Szczegółowe wskazówki instalacyjne znajdują się na końcu niniejszej instrukcji.

## Uwagi przed demontażem:

1. Przed rozpoczęciem demontażu odłącz trwale urządzenie od sieci zasilającej i upewnij się, że grzejnik nie jest gorący.
2. Uważaj — grzejnik z grzałką wypełniony cieczą może być bardzo ciężki. Zapewnij właściwe środki bezpieczeństwa.
3. Przed demontażem upewnij się, że woda znajdująca się wewnątrz grzejnika i instalacji nie spowoduje szkody (zakręć właściwe zawory, opróżnij grzejnik, itp.).

## Utylizacja



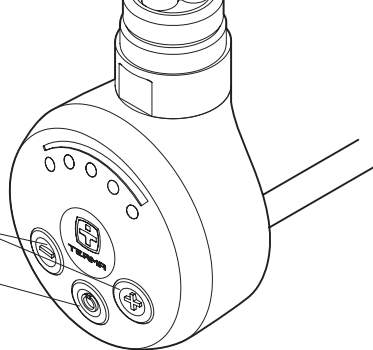
Niniejszy produkt jest urządzeniem elektrycznym i podlega specjalnym wymaganiom dotyczącym gospodarowania odpadami elektrycznymi i elektronicznymi. Nie wyrzucaj go z innymi odpadami komunalnymi. Po zakończeniu użytkowania należy oddać go do punktu zbiórki i recyklingu urządzeń elektrycznych. Szczegółowych informacji udzieli Państwu punkt sprzedaży lub producent. Dziękujemy za wkład w ochronę środowiska.

## Konserwacja

- Przed wykonaniem czynności konserwacyjnych zawsze odłączaj urządzenie od sieci.
- Okresowo sprawdzaj poziom cieczy w grzejniku i dbaj, aby element grzejny był całkowicie zanurzony.
- Czyść produkt wyłącznie na sucho lub wilgotną szmatką z małą ilością detergentu bez zawartości rozpuszczalników i materiałów ściernych.

# MEG

zmiana temperatury grzałki  
włączanie i wyłączanie grzałki



Po włączeniu grzałka rozgrzewa grzejnik do zadanej temperatury. Po jej osiągnięciu grzałka będzie się okresowo włączać i wyłączać utrzymując wskazaną temperaturę.

Konstrukcja grzałki, jak również właściwości fizyczne czynnika grzewczego powodują, że dolne rurki grzejnika (w szczególności ostatnie dwie) mogą mieć niższą temperaturę od pozostałej części — takie zjawisko jest całkowicie normalne.

## Zwiększanie temperatury

Aby zwiększyć temperaturę, naciśnij klawisz ⊕, raz lub kilka razy — odpowiednia liczba diod zacznie pulsować. Poziom zaprogramowanej temperatury wskazuje ostatnia pulsująca dioda, natomiast poziom aktualnie osiągniętej temperatury wskazuje ostatnia dioda paląca się na stałe. Diody będą kolejno zapalać się na stałe w miarę wzrostu temperatury uzdźnienia.

## Zmniejszanie temperatury

Aby zmniejszyć temperaturę naciśnij klawisz ⊖, raz lub kilka razy — odpowiednia liczba diod zacznie pulsować. Poziom zaprogramowanej temperatury wskazuje ostatnia dioda świecąca stałe, natomiast poziom aktualnej temperatury wskazuje ostatnia dioda pulsująca. Pulsujące diody będą kolejno gasnąć w miarę obniżania się temperatury grzejnika.

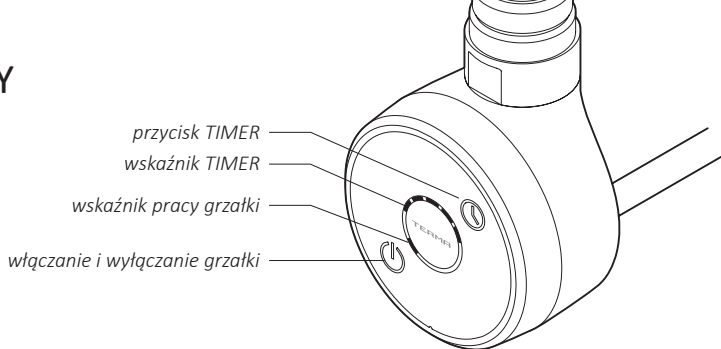
## Funkcja anti-freeze (ochrona przeciwzamarzaniowa)

Jeżeli grzałka jest wyłączona, a temperatura w okolicy czujnika temperatury spadnie poniżej progu 6° C nastąpi automatyczne włączenie grzałki, aby nie dopuścić do zamrznięcia czynnika grzewczego wewnątrz grzejnika. Włączenie się funkcji ANTIFREEZE sygnalizuje miganie środkowej diody.

## Usuwanie problemów

Problem	Potencjalna przyczyna	Rozwiązanie problemu
Grzałka jest podłączona do gniazda zasilającego, żadna dioda się nie świeci.	Problem dotyczy podłączenia.	Sprawdź połączenie przewodu sieciowego, wtyczkę oraz gniazdo elektryczne.
Grzałka nie grzeje, migają naprzemiennie skrajne diody.	Nastąpiło uszkodzenie czujnika temperatury.	Odłącz urządzenie całkowicie od sieci i poczekaj, aż ostygnie, po czym ponownie podłącz.
	Nastąpiło przegrzanie.	Upewnij się, że moc grzałki nie przekracza rekomendowanej mocy grzejnika. Sprawdź i odpowiednio zredukuj temperaturę czynnika grzewczego w instalacji c.o. (nie może przekraczać 82°C). W grzejniku nie podłączonym do instalacji c.o. sprawdź, czy grzejnik jest właściwie zalany.
Grzałka grzeje mimo wyłączenia klawiszem $\Phi$ .	Uszkodzenie elektroniki.	Odłącz urządzenie całkowicie od sieci i poczekaj, aż ostygnie, po czym ponownie podłącz.
Jeżeli problem nie ustąpił skontaktuj się ze sprzedawcą.		

# DRY



## Funkcje

Grzałka DRY posiada 1 nastawę temperatury grzejnika (domyślnie 48°C) i rozszerzony zakres dostępnych opcji automatycznego wyłączenia grzania od 1 do 5 godzin. Taka funkcjonalność sprawia, że jest to produkt dopasowany w szczególności do realizacji funkcji suszenia w łatwy i wygodny sposób.

Istnieje możliwość zmiany temperatury grzania na inną: 43, 48, 52, 55, 60°C, która po ustawieniu zostanie zapamiętana i stanowić będzie nowy poziom temperatury pracy suszarki.

Wbudowany czujnik temperatury zabezpiecza grzejnik przed zamarznięciem w przypadku wykrycia temperatury niższej od 5-7°C. Dioda LED przy włączniku błyska okresowo — sygnalizując aktywną ochronę przeciwzamarzaniową.

## Obsługa

Grzałkę włącza się klawiszem  $\odot$ . Dioda LED znajdująca się przy klawiszu świeci się, gdy grzałka jest włączona i regulator utrzymuje nastawioną temperaturę grzania.

**Uwaga:** Układ sterujący pracą grzałki załącza grzałkę tylko wtedy gdy temperatura grzejnika jest niższa niż temperatura nastawiona (domyślnie 48°C). Po uzyskaniu wymaganej temperatury grzałka włącza się okresowo tylko w celu utrzymania temperatury. Dzięki temu zużycie energii elektrycznej jest zdecydowanie niższe, niż wynikałoby to z teoretycznych obliczeń opartych na znamionowej mocy grzałki.

W prawej górnej części panelu sterującego znajduje się przycisk  $\odot$  (TIMER) służący do ustawiania czasu automatycznego wyłączenia grzania. Kolejne naciśnięcia klawisza zapalają diody LED na wskaźniku czasu

grzania i pozwalają na ustawienie wartości od 1 do 5 godzin. Po tym czasie grzałka automatycznie wyłączy się.

Warto wiedzieć, że:

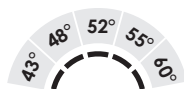
- dłuższe przytrzymanie klawisza  $\odot$  ustawia czas na 5 godz. lub wyłącza TIMER,
- klawisz  $\odot$  działa również, gdy grzałka jest wyłączona. Po jego naciśnięciu grzałka włączy się i ustawi czas TIMERA na 1 godz.,
- aby wyłączyć TIMER należy kilkakrotnie nacisnąć klawisz  $\odot$  lub po prostu — wyłączyć i włączyć grzałkę,
- diody LED wskaźnika TIMERA będą po kolei gasły wraz z upływającym czasem do wyłączenia.

Konstrukcja grzałki, jak również właściwości fizyczne różnych czynników grzewczych mogą spowodować nierównomierny rozkład temperatury na grzejniku, w tym również stan, że dolne rurki grzejnika mogą być zimne. Taki stan jest całkowicie normalny i nie jest efektem wadliwej pracy grzałki.

## Funkcja serwisowa zmiany temperatury grzania

Grzałka jest zaprogramowana fabrycznie tak, aby temperatura nastawy po włączeniu grzałki wynosiła 48°C. Możliwe jest zmiana tej wartości na inną poprzez wykonanie poniższej sekwencji czynności:

1. Odłącz urządzenie od prądu (np. wyjmij wtyczkę z gniazdka).
2. Naciśnij klawisz  $\odot$  i trzymając ten przycisk, podłącz grzałkę z powrotem do zasilania.
3. Puść klawisz  $\odot$ .
4. Na panelu grzałki zacznie pulsować jedna z 5 diod wskaźnika TIMERA. Klawiszem  $\odot$  wybierz żądaną wartość temperatury grzałki wg tabeli poniżej:



5. Odczekaj 10 sekund lub naciśnij klawisz TIMER w celu zatwierdzenia wybranej wartości.



## Sygnalizacja stanów awaryjnych

Grzałka DRY posiada aktywne funkcje monitorowania i sygnalizacji różnych stanów alarmowych.

Stan awarii sygnalizowany jest na wskaźniku diodowym TIMERA w taki sposób, że dwie skrajne diody świecą stale, a dioda środkowa błyska na zasadzie: „kilka błysków i dłuższa przerwa”.

Ilość błysków oznacza kod błędu wg opisu poniżej:

a) „Praca w suchym grzejniku” (Kod: 2 błyski) — Układ elektroniczny wykrył sytuację wskazującą na brak czynnika grzewczego wewnątrz grzejnika. Należy sprawdzić poprawność zalania.

b) „Przegrzanie” (Kod: 3 błyski) — Zbyt wysoka temperatura czynnika grzewczego w grzejniku.

- Jeżeli grzałka grzeje mimo jej wyłączenia — prawdopodobnie nastąpiło uszkodzenie elektroniki i konieczna jest naprawa w serwisie.
- Jeżeli grzałka jest zamontowana w grzejniku pracującym w instalacji c.o. z gorącą wodą, sygnalizacja alarmu nie oznacza awarii grzałki a jedynie sygnalizuje wysoką temperaturę. Należy upewnić się, że temperatura wody w instalacji nie przekroczy

82° C, gdyż grozi to uszkodzeniem bezpiecznika termicznego w grzałce.

c) „Uszkodzony czujnik temperatury” (Kod: 4 błyski) — możliwa awaria układu elektronicznego. Prawdopodobnie grzałka wymaga naprawy w serwisie.

d) „Ostrzeżenie przed otwartym obiegiem wody w instalacji c.o.” (Kod: 5 błysków) — istnieje ryzyko, że grzejnik podłączony do instalacji c.o. posiada zaburzoną cyrkulację z powodu ucieczki ciepła do instalacji.

Uwaga: zakręcając zawory do instalacji c.o. należy zawsze zostawić 1 z zaworów otwarty, tak aby nie doprowadzić do wzrostu ciśnienia w grzejniku.

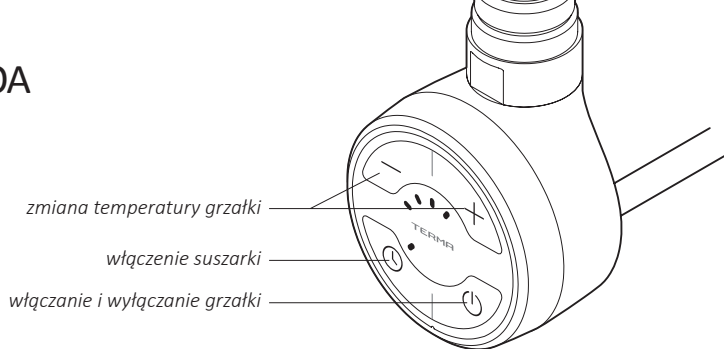
Stan alarmowy można skasować poprzez wyłączenie i ponowne włączenie grzałki.

W sytuacji wystąpienia stanu awaryjnego należy wyłączyć grzałkę i odczekać ewentualnie aż grzejnik ostygnie. Przed ponownym włączeniem należy przeanalizować przyczynę awarii i ją usunąć. Jeżeli po włączeniu nadal sygnalizowany jest stan alarmowy — należy skontaktować się z dystrybutorem lub producentem.

## Usuwanie problemów

Problem	Potencjalna przyczyna	Czynności do wykonania
Grzałka sygnalizuje stan awaryjny (skrajne diody świecą stale, środkowa pulsuje).	Patrz opis stanów awaryjnych.	Postępuj wg wskazań z rozdziału „Sygnalizacja stanów awaryjnych”.
Grzejnik jest zupełnie zimny, diody na grzałce świecą poprawnie.	Zadziałanie bezpiecznika termicznego, uszkodzenie elektroniki.	Produkt wymaga naprawy w serwisie.
Grzałka wyłączona, nie daje się włączyć. Nic nie świeci.	Brak prawidłowego zasilania, Uszkodzenie elektroniki.	Sprawdzić czy grzałka jest właściwie podłączona. Jeżeli tak, produkt będzie wymagał naprawy w serwisie.
Grzałka grzeje bez kontroli, nie można jej wyłączyć.	Uszkodzenie elektroniki.	Produkt wymaga naprawy w serwisie.
Włączenie grzałki powoduje zadziałanie zabezpieczeń w instalacji elektrycznej.	Uszkodzenie mechaniczne grzałki na skutek zbyt wysokiego ciśnienia w grzejniku (brak poduszki powietrznej).	Grzałka wymaga naprawy w serwisie.
	Oslabiona izolacja elektryczna elementu grzejnego lub inne uszkodzenie.	Skontaktować się z elektrykiem w celu weryfikacji źródła problemu. Skontaktować się z serwisem producenta.

# MOA



Włączenie grzałki klawiszem ⊕ powoduje rozgrzanie grzejnika do zadanej temperatury. Po jej osiągnięciu grzałka będzie się okresowo włączać i wyłączać utrzymując wskazaną temperaturę.

Konstrukcja grzałki, jak również właściwości fizyczne czynnika grzewczego powodują, że dolne rurki grzejnika (w szczególności ostatnie dwie) mogą mieć niższą temperaturę od pozostałej części — takie zjawisko jest całkowicie normalne.

## Zwiększanie temperatury

Aby zwiększyć temperaturę, naciśnij klawisz ⊕, raz lub kilka razy — odpowiednia liczba diod zacznie pulsować. Poziom zaprogramowanej temperatury wskazuje ostatnia pulsująca dioda, natomiast poziom aktualnie osiągniętej temperatury wskazuje

ostatnia dioda paląca się na stałe. Diody będą kolejno zapalać się na stałe w miarę wzrostu temperatury urządzenia.

## Zmniejszanie temperatury

Aby zmniejszyć temperaturę, naciśnij klawisz ⊖, raz lub kilka razy — odpowiednia liczba diod zacznie pulsować. Poziom zaprogramowanej temperatury wskazuje ostatnia dioda świecąca stale, natomiast poziom aktualnej temperatury wskazuje ostatnia dioda pulsująca. Pulsujące diody będą kolejno gasnąć w miarę obniżania się temperatury urządzenia.

## Funkcja antifreeze (ochrona przeciwzamarzaniowa)

Jeżeli grzałka jest wyłączona, a temperatura w okolicy czujnika temperatury spadnie po-

niżej progu około 6°C, nastąpi automatyczne włączenie grzałki, aby nie dopuścić do zamrznięcia czynnika grzewczego wewnątrz grzejnika. Włączenie się funkcji ANTIFREEZE sygnalizuje miganie środkowej diody.

## Funkcja suszarki

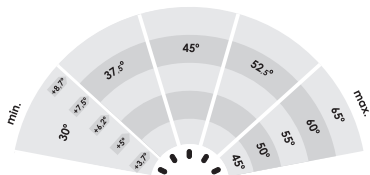
SUSZARKA włącza urządzenie na 2 godziny, np. w celu wysuszenia ręcznika. Po upływie tego czasu grzałka samoczynnie wraca do stanu pracy sprzed aktywacji SUSZARKI. SUSZARKĘ włącza się klawiszem ⊕ (również, jeśli grzałka jest wyłączona). Urządzenie rozpocznie pracę z ustawioną ostatnio temperaturą. Temperaturę tę można dowolnie modyfikować w trakcie pracy (klawisze ⊕ i ⊖). Jeśli przed uruchomieniem suszarki grzałka była wyłączona, to po zakończeniu suszenia urządzenie włączy się samoczynnie. Aby przerwać pracę SUSZARKI w dowolnym momencie należy wcisnąć klawisz ⊖.

## Skalowanie zakresu temperatur

Standardowy zakres temperatur pracy grzałki to 30-60°C. Możliwe jest rozszerzenie lub zawężenie tego zakresu poprzez ustawienie temperatury maksymalnej pomiędzy 45°C, a 65°C (temperatura minimalna 30°C pozostaje niezmienna). Pozwala to osiągnąć wyższą temperaturę maksymalną

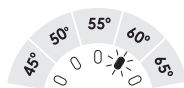
niż standardowa, lub dokładniej sterować grzałką w zakresie niższych temperatur.

Przykład: dla zakresu regulacji do 45°C (30-45°C) zmiana o jedną nastawę (jedna dioda), oznacza wzrost/spadek temperatury o 3,75°C, natomiast dla zakresu regulacji do 65°C (30-65°C) zmiana o jedną nastawę oznacza wzrost/spadek o 8,75°C.



W celu zmiany zakresu temperatur wyjmij wtyczkę z gniazdka i trzymając klawisz ⊕ ponownie włóż wtyczkę do gniazdka. Na wyświetlaczu diodowym zacnie pulsować pojedyncza dioda. Klawiszami ⊕ i ⊖ ustaw jedną z 5 możliwych temperatur maksymalnych. Pierwsza dioda odpowiada temperaturze 45°C. Kolejne diody to: 50°C, 55°C, 60°C, 65°C.

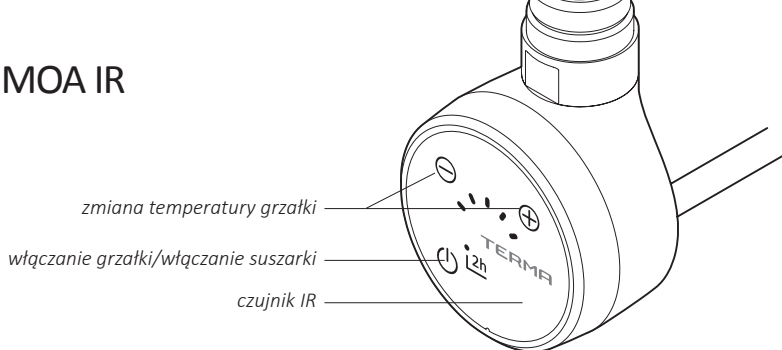
Po wciśnięciu klawisza ⊖ grzałka powróci do pracy z nowymi ustawieniami.



## Usuwanie problemów

Problem	Potencjalna przyczyna	Rozwiązanie problemu
Grzałka jest podłączona do gniazda zasilającego, żadna dioda się nie świeci.	Problem dotyczy podłączenia.	Sprawdź połączenie przewodu sieciowego, wtyczkę oraz gniazdo elektryczne.
Grzałka nie grzeje, migają naprzemiennie skrajne diody.	Nastąpiło uszkodzenie czujnika temperatury.	Odtłącz urządzenie całkowicie od sieci i poczekaj, aż ostygnie, po czym ponownie podłącz.
	Nastąpiło przegrzanie.	Upewnij się, że moc grzałki nie przekracza rekomendowanej mocy grzejnika. Sprawdź i odpowiednio zredukuj temperaturę czynnika grzewczego w instalacji c.o. (nie może przekraczać 82°C). W grzejniku nie podłączonym do instalacji c.o. sprawdź, czy grzejnik jest właściwie zalany .
Grzałka grzeje mimo wyłączenia klawiszem $\Phi$ .	uszkodzenie elektroniki.	Odtłącz urządzenie całkowicie od sieci i poczekaj, aż ostygnie, po czym ponownie podłącz.
Jeżeli problem nie ustąpił skontaktuj się ze Sprzedawcą.		

# MOA IR



Włączenie grzałki klawiszem ⊖ powoduje rozgrzanie grzejnika do zadanej temperatury. Po jej osiągnięciu grzałka będzie się okresowo włączać i wyłączać utrzymując wskazaną temperaturę.

Konstrukcja grzałki, jak również właściwości fizyczne czynnika grzewczego powodują, że dolne rurki grzejnika (w szczególności ostatnie dwie) mogą mieć niższą temperaturę od pozostałej części — takie zjawisko jest całkowicie normalne.

## Zwiększanie temperatury

Aby zwiększyć temperaturę, naciśnij klawisz ⊕, raz lub kilka razy — odpowiednia liczba diod zacznie pulsować. Poziom zaprogramowanej temperatury wskazuje ostatnia pulsująca dioda, natomiast poziom aktualnie osiągniętej temperatury wskazuje

ostatnia dioda paląca się na stałe. Diody będą kolejno zapalać się na stałe w miarę wzrostu temperatury urządzenia.

## Zmniejszanie temperatury

Aby zmniejszyć temperaturę, naciśnij klawisz ⊖, raz lub kilka razy — odpowiednia liczba diod zacznie pulsować. Poziom zaprogramowanej temperatury wskazuje ostatnia dioda świecąca stale, natomiast poziom aktualnej temperatury wskazuje ostatnia dioda pulsująca. Pulsujące diody będą kolejno gasnąć w miarę obniżania się temperatury urządzenia.

## Funkcja antifreeze (ochrona przeciwzamarzaniowa)

Jeżeli grzałka jest wyłączona, a temperatura w okolicy czujnika temperatury spadnie poniżej progu około 6°C, nastąpi automatyczne włączenie grzałki, aby nie dopuścić do zamrożenia czynnika grzewczego wewnątrz grzejnika. Włączenie się funkcji ANTIFREEZE sygnalizuje miganie środkowej diody.

## Funkcja suszarki

SUSZARKA włącza urządzenie na 2 godziny, np. w celu wysuszenia ręcznika. Po upływie tego czasu grzałka samoczynnie wraca do stanu pracy sprzed aktywacji SUSZARKI. Aby włączyć SUSZARKĘ naciśnij i przytrzymaj klawisz  $\ominus$  (również, gdy grzałka była wyłączona) — urządzenie rozpocznie pracę z ustawioną ostatnio temperaturą. Urządzenie rozpocznie pracę z ustawioną ostatnio temperaturą. Temperaturę tę można dowolnie modyfikować w trakcie pracy (klawisze  $\oplus$  i  $\ominus$ ). Jeśli przed uruchomieniem suszarki grzałka była wyłączona, to po zakończeniu suszenia urządzenie wyłączy się samoczynnie. Aby prze-rwać pracę SUSZARKI w dowolnym momencie należy wcisnąć klawisz  $\ominus$ .

## Tryb sterowania zdalnego (komunikacja bezprzewodowa)

Jeżeli w pomieszczeniu znajduje się programator IR, który wysła odpowiednie sygnały sterujące, to pierwszy prawidłowo odebrany sygnał w grzałce spowoduje jej automatyczne prze-łączenie w stan odbioru. W tym stanie, urządzenie grzeje z mocą wskazaną przez programator zewnętrzny, jednak nadal kontroluje, aby temperatura grzejnika nie przekroczyła ok. 60°C. Tryb zdalny sygnalizowany jest stałym świeceniem środkowej diody. Jeżeli nastąpi utrata komunikacji na okres dłuższy, niż 25 minut, to urządzenie automatycznie wyjdzie z trybu zdalnego, kontynuując pracę z ostatnio ustawioną nastawą. Kolejny odebrany sygnał z programatora ponownie uruchomi tryb pracy zdalnej.

W trybie zdalnym można aktywować funkcję SUSZARKI (w tym wypadku, po zakończeniu odmierzenia czasu, grzałka nie wyłączy się, lecz powróci do odbioru komunikatów ze zdalnego programatora).

## Skalowanie zakresu temperatur

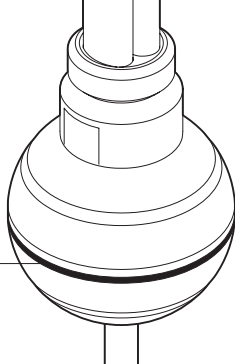
*Jak w modelu MOA*

## Usuwanie problemów

*Jak w modelu MOA*

## REG 2

*pierścień sygnalizujący pracę grzałki*



Po włączeniu grzałki rozgrzewa grzejnik do temperatury 65° C. Po jej osiągnięciu grzałka będzie się okresowo włączać i wyłączać utrzymując tę temperaturę.

Podstawowa wersja grzałki nie posiada włącznika na obudowie — włączana jest bezpośrednio za pomocą wtyczki (lub przyłączona na stałe do sieci).

Świecenie pierścienia informuje o podłączeniu grzałki do sieci zasilającej.

Wersja +W posiada dodatkowo włącznik umieszczony na wtyczce.

Konstrukcja grzałki, jak również właściwości fizyczne czynnika grzewczego powodują, że dolne rurki grzejnika (w szczególności ostatnie dwie) mogą mieć niższą temperaturę od pozostałej części — takie zjawisko jest całkowicie normalne.

## Usuwanie problemów

Jeśli stwierdzisz niewłaściwe działanie grzałki:

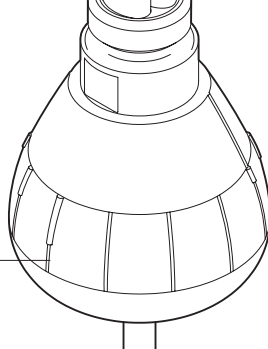
- sprawdź, czy urządzenie jest prawidłowo podłączone do zasilania,
- sprawdź, czy w grzejniku nie brakuje czynnika grzewczego.

Jeżeli mimo to grzałka nie funkcjonuje właściwie należy ją zdemontować i zwrócić do sprzedawcy.

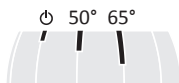


## REG 3

*pierścień regulacyjny  
ze znacznikami nastawy*



Po włączeniu grzałki rozgrzewa grzejnik do zadanej temperatury. Po jej osiągnięciu grzałka będzie się okresowo włączać i wyłączać utrzymując wskazaną temperaturę.



Konstrukcja grzałki, jak również właściwości fizyczne czynnika grzewczego powodują, że dolne rurki grzejnika (w szczególności ostatnie dwie) mogą mieć niższą temperaturę od pozostałej części — takie zjawisko jest całkowicie normalne.

## Usuwanie problemów

Jeśli stwierdzisz niewłaściwe działanie grzałki:

- sprawdź, czy urządzenie jest prawidłowo podłączone do zasilania,
- sprawdź, czy w grzejniku nie brakuje czynnika grzewczego.

Jeżeli mimo to grzałka nie funkcjonuje właściwie należy ją zdemontować i zwrócić do sprzedawcy.

# Warunki gwarancji

1. Przedmiotem gwarancji jest grzałka elektryczna produkcji Terma Sp. z o.o. Nazwa modelu oraz własności wyszczególnione zostały na opakowaniu.
2. Odbierając urządzenie Klient potwierdza pełnowartościowość produktu. W razie stwierdzenia jakichkolwiek wad należy poinformować o nich Sprzedawcę — w przeciwnym wypadku przyjmuje się, że Sprzedawca wydał produkt bez wad. Dotyczy to w szczególności jakości powierzchni obudowy sterownika grzałki.
3. Okres gwarancji wynosi 24 miesiące od daty zakupu, ale nie dłużej niż 36 miesięcy od daty produkcji.
4. Podstawą roszczeń gwarancyjnych jest dowód zakupu produktu. Brak takiego dokumentu uprawnia producenta do odrzucenia reklamacji.
5. Gwarancją nie są objęte uszkodzenia powstałe: na skutek nieprawidłowego (niezgodnego z instrukcją) montażu, użytkowania lub demontażu, w związku z zastosowaniem elementu grzejnego w sposób niezgodny z jego przeznaczeniem, na skutek ingerencji w urządzenie osób nieupoważnionych, powstałe z winy Klienta po odbiorze od Sprzedającego.
6. Instalacja grzewcza powinna być wyposażona w zawory odcinające, umożliwiające demontaż grzejnika lub grzałki bez opróżniania całej instalacji z czynnika grzewczego. Problemy lub koszty powstałe na skutek braku takich zaworów w instalacji nie obciążają Terma.
7. Załączona instrukcja obsługi produktu jest integralną częścią gwarancji. Prosimy zatem o dokładne zapoznanie się z jej treścią przed przystąpieniem do użytkowania.
8. Producent zobowiązuje się do usunięcia usterki w terminie 14 dni roboczych od daty dostarczenia wadliwego urządzenia do siedziby producenta.
9. Jeżeli naprawa urządzenia okaże się niemożliwa, producent zobowiązuje się do dostarczenia nowego, sprawnie działającego egzemplarza o tych samych parametrach.

# Инструкция Обслуживания

Наши изделия были спроектированы и изготовлены таким образом, чтобы удовлетворить все требования качества, функциональности и эстетики. Поздравляем Вас с удачной покупкой и желаем получить удовольствие от использования нового устройства.

## Электрический радиатор

безопасный монтаж и использование.

1. Нельзя располагать радиатор непосредственно под электрической розеткой.
2. Электрический радиатор должен быть заполнен определенным количеством теплоносителя. В случае обнаружения недостатка теплоносителя, или в любом другом случае, требующим пополнения теплоносителя — необходимо связаться с Продавцом.
3. Это устройство не оснащено регулятором температуры помещения\*. Не следует использовать его в малых помещениях, если в них находятся люди, неспособные самостоятельно покинуть помещение, где не обеспечен постоянный надзор.

\* не касается ряда моделей. Подробности уточняйте у Продавца.

4. Электрический радиатор не является игрушкой. Дети в возрасте до трех лет не должны находиться в непосредственной близости от радиатора. Дети в возрасте от 3 до 8 лет могут самостоятельно пользоваться радиатором, только если он правильно установлен и подключен, а дети находятся под присмотром или же ранее были научены как безопасно пользоваться радиатором и каков риск.
5. Внимание: некоторые части радиатора могут быть очень горячими, и стать причиной ожога. Следует на это обратить особое внимание, если рядом есть дети или же люди с ограниченными способностями.
6. Если устройство используется для сушки вещей и полотенец — следует сушить лишь ткани выстиранные исключительно в воде.
7. В целях обеспечения безопасности маленьких детей, электрический радиатор для сушки вещей или полотенец должен быть установлен таким образом, чтобы нижняя трубка располагалась как минимум на расстоянии 600 мм от пола.
8. Устройство должно быть установлено исключительно квалифицированным специалистом, с соблюдением всех мер безопасности, и в соответствии с действующими правилами и нормами.
9. Все системы, в которых устанавливается устройство, должны соответствовать нормам и правилам, обязывающим на данной территории.
10. Для подключения электронагревателя нельзя использовать удлинитель или адаптеры для электрических розеток.

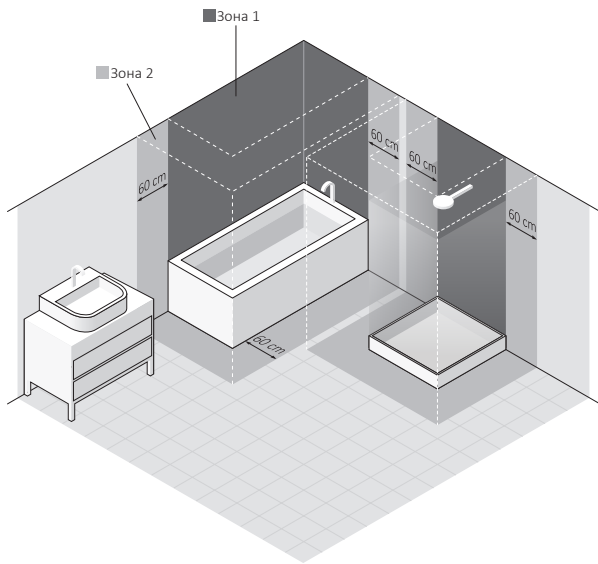
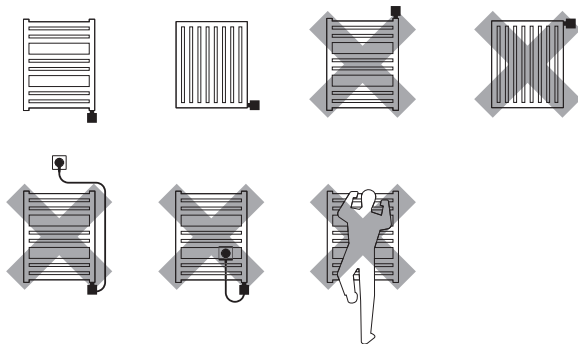
11. Следует убедиться в том, что электрическая сеть, к которой подключен электронагреватель, оснащена надлежащими выключателями перегрузки и замыкания тока (R.C.D.) с чувствительностью 30 мА.

При подключение устройства на постоянной основе, обязательным также является наличие выключателя, позволяющего отключить устройство на всех полюсах, при помощи клемм, расположенных на расстоянии 3 мм.

12. Устройство в версии обозначенной РВ может быть установлено в ванных комнатах в зоне 1, на основании действующего законодательства, с учетом отдельных законов, касающихся электрических установок в помещениях с повышенной влажностью.

Остальные версии устройства могут быть установленные в зоне 2 или за ее пределами.

13. Следует использовать устройство исключительно в соответствии с его назначением, указанным в инструкции по применению.
14. Убедитесь в том, что радиатор был расположен на стене в соответствии с инструкцией по его монтажу.
15. Данный информационный материал следует передать конечному пользователю радиатора.



# Электронагреватель

## Требования безопасности — Монтаж

1. Монтаж электронагревателя может производить исключительно специалист, обладающий соответствующим разрешением.
2. Подключать устройство следует только к соответствующим образом подготовленной системе (следует обратить внимание на номинальные данные электронагревателя).
3. Допускается кратковременное включение холодного электронагревателя вне радиатора и теплоносителя, но не более чем на 3 сек.
4. Категорически запрещается включать электронагреватель в пустом радиаторе.
5. Следует убедиться в том, что кабель питания не соприкасается с горячими элементами электронагревателя или радиатора.
6. Во время монтажа или демонтажа, устройство не может быть подключено к сети.
7. Запрещается вскрывать электронагреватель, вмешиваться в конструкцию.

8. Мощность электронагревателя не может превышать мощности радиатора при стандартных параметрах 75/65/20° С.
9. Давление в радиаторе не может превышать 10 атм. В электрическом радиаторе следует оставить воздушную подушку, а в радиаторе, подключенном к системе Ц.О. — 1 вентиль открытым, чтобы не допустить роста давления по причине расширения теплоносителя.
10. Устройство предназначено для использования в домашних условиях.
11. Монтаж устройства должен происходить согласно со всеми правилами безопасности, касающимися электрических устройств, что также касается допустимого места расположения устройства, расстояния от мест повышенной влажности. Требования безопасности.

## Требования безопасности — Использование

1. Нагревательный элемент, во время работы, должен быть полностью погружен в теплоноситель.
2. Следует регулярно проверять, исправно ли устройство, безопасно ли его использование.
3. Если кабель поврежден, устройство не пригодно для использования. Следует отключить устройство от питания и связаться с Производителем или Дистрибутором.



4. Нельзя допускать заливания корпуса электронагревателя водой.
5. Нельзя устанавливать электронагреватель в системе Ц.О., если температура воды в ней может превышать 82°С.
6. Радиатор или электронагреватель могут нагреться до высоких температур. Следует соблюдать осторожность.
7. Нельзя вскрывать корпус.
8. Если электронагреватель работает в радиаторе, подключенном к системе Ц.О., следует убедиться, что один из вентилях всегда остается открытым.
9. Дети в возрасте старше 8 лет, а также люди с ограниченными умственными и физическими возможностями, могут самостоятельно пользоваться радиатором, если находятся под присмотром или же ранее были научены как безопасно пользоваться радиатором и каков риск.
10. Устройство не является игрушкой. Следует беречь его от детей.
11. Чистить устройство можно исключительно после отключения его от сети питания.
12. Дети младше 8 лет могут чистить устройство лишь под соответствующим присмотром.

# Предназначение

Электронагреватель является электрическим прибором отопления, предназначенным исключительно для монтажа в коллекторе радиатора (автономного или подключенного к системе Ц.О).

Электронагреватель должен быть подобран таким образом, чтобы его мощность соответствовала мощности радиатора при стандартных параметрах 75/65/20°С.

## Технические данные

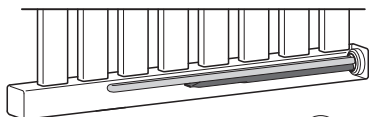
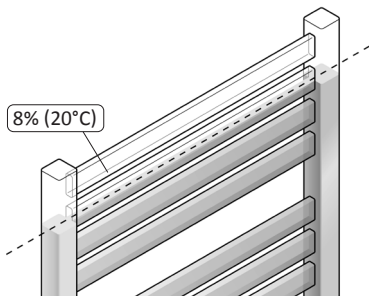
Обозначение модели (тип кабеля)	PB (кабель прямой без вилки) PW (кабель прямой с вилкой) SW (кабель спиральный с вилкой)																		
Тип электрического подключения	Y: MEG 1, MOA, MOA IR, REG 3, DRY Z: REG 2																		
Питание	230 V / 50 Hz																		
Доступные мощности	120, 200, 300, 400, 600, 800, 1000, 1200 W																		
Класс изоляции	Класс I																		
Резьба радиатора	G 1/2"																		
Степень защиты корпуса	IPx4: MEG IPx5: REG 2, REG 3, MOA, MOA IR, DRY																		
Длина нагревательного элемента	<table><tr><td>120</td><td>200</td><td>300</td><td>400</td><td>600</td><td>800</td><td>1000</td><td>1200</td><td>[W]</td></tr><tr><td>315</td><td>275</td><td>300</td><td>335</td><td>365</td><td>475</td><td>565</td><td>660</td><td>[mm]</td></tr></table>	120	200	300	400	600	800	1000	1200	[W]	315	275	300	335	365	475	565	660	[mm]
120	200	300	400	600	800	1000	1200	[W]											
315	275	300	335	365	475	565	660	[mm]											

\* Устройство, предназначенное для постоянного соединения с электросетью.

# Монтаж и демонтаж


Подробную информацию о способах монтажа и демонтажа электронагревателя в радиаторе, можно получить у Производителя или Дистрибутора (см. конец инструкции).

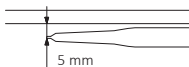
Ниже приведены основные требования и правила, которых следует придерживаться, для обеспечения долгой, надежной работы устройства.



При установке электронагревателя в горизонтальном положении трубка в которую вмонтирован датчик температуры, должна располагаться в самой нижней точке.

На что следует обратить внимание перед монтажом или первым включением:

1. Следует прочесть раздел: Требования безопасности — Монтаж.
2. Вкручивать электронагреватель следует исключительно при помощи соответствующего плоского ключа (размер  22).
3. Электронагреватель следует располагать в нижней части радиатора, перпендикулярно поперечным трубкам, оставляя необходимое пространство для правильной циркуляции теплоносителя.
4. Следует использовать соответствующие теплоносители (вода, специальные жидкости на основе воды и гликоля, предназначенные для использования в системах Ц.О., масла, параметры которых соответствуют требованиям Производителя радиатора и электронагревателя.
5. Проверьте расстояние между отдельными трубами нагревательного элемента и отогните по мере необходимости.





6. Нельзя включать электронагреватель, если он не полностью погружен в теплоноситель.
7. Следует защитить радиатор от возможного чрезмерного роста давления внутри (воздушная подушка в электрическом радиаторе, открытый один из вентилей в системе Ц.О.).
8. Нельзя заливать радиатор теплоносителем, температура которого превышает  $65^{\circ}\text{C}$ .
9. При подключении устройства к системе (постоянно, скрытая проводка), следует помнить:
  - a. Коричневый кабель — фаза (L).
  - b. Голубой кабель — нейтральный (N).
  - c. Желто-зеленый кабель — заземление (PE).
10. Перед наполнением радиатора теплоносителем следует убедиться, что соединение радиатора и электронагревателя герметично.
11. Радиатор, подключенный к системе Ц.О., должен быть оснащен соответствующими вентилями, позволяющими отсечь радиатор от системы.

12. Температура теплоносителя в системе Ц.О. не может превышать  $82^{\circ}\text{C}$ .
13. Подробные рекомендации, касающиеся монтажа приведены в конце данной инструкции.

### На что следует обратить внимание перед демонтажом:

1. Перед началом демонтажа следует отключить устройство от электрической сети, и убедиться, что радиатор не слишком горячий.
2. Внимание! Радиатор, наполненный теплоносителем, может быть очень тяжелым. Следует соблюдать осторожность.
3. Перед началом демонтажа следует убедиться, что теплоноситель, находящийся внутри радиатора и\или в системе, не нанесёт какого-либо вреда (следует закрыть нужные вентили, слить теплоноситель из радиатора и т.д.).

### Утилизация



Данный продукт является электрическим устройством, и не может быть утилизирован вместе с другими коммунальными отходами. После окончания использова-

ния, следует оставить устройство в пункте сбора и переработки электроники и электрических устройств. Подробную информацию об утилизации можно получить в пункте продажи или у Производителя. Благодарим за вклад в охрану окружающей среды.

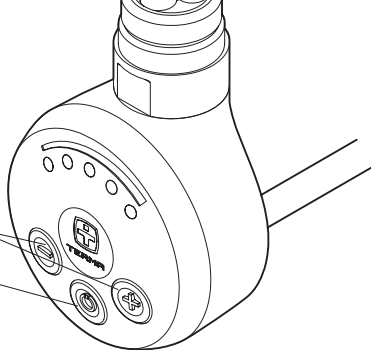
## Уход

- Перед началом чистки устройства, следует отключить его от сети питания
- Время от времени следует проверять количество теплоносителя в радиаторе, так как нагревательный элемент всегда должен быть полностью погружен в теплоноситель.
- Протирать устройство следует сухой или влажной тряпкой, можно с использованием малого количества моющего средства без содержания растворителя или абразивных веществ.

# MEG

*изменение температуры*

*включение и выключение*



После включения электронагреватель нагревает радиатор до заданной температуры. После ее достижения, электронагреватель будет включаться лишь время от времени для поддержания указанной температуры.

Конструкция электронагревателя, как и физические параметры теплоносителя, являются причиной того, что нижние трубки радиатора (особенно нижние две) могут быть значительно холоднее остальных — это нормальное явление.

## Увеличение температуры

Чтобы увеличить температуру, следует нажать на клавишу, один или несколько раз — соответствующее кол-во диодов начнет мигать. Заданный уровень температуры сигнализирует последний мигающий диод, а уровень актуальной, достигнутой температуры — диод, горя-

щий постоянно. По мере роста температуры диоды перестанут мигать и будут гореть постоянно.

## Уменьшение температуры

Чтобы уменьшить температуру, следует нажать на клавишу, один или несколько раз — соответствующее кол-во диодов начнет мигать. Заданный уровень температуры сигнализирует последний диод, горящий постоянно, а уровень актуальной температуры — мигающий диод. По мере снижения температуры мигающие диоды будут гаснуть.

## Функция АНТИФРИЗ (защита от замерзания)

Если электронагреватель выключен, а датчик зафиксирует спадок температуры

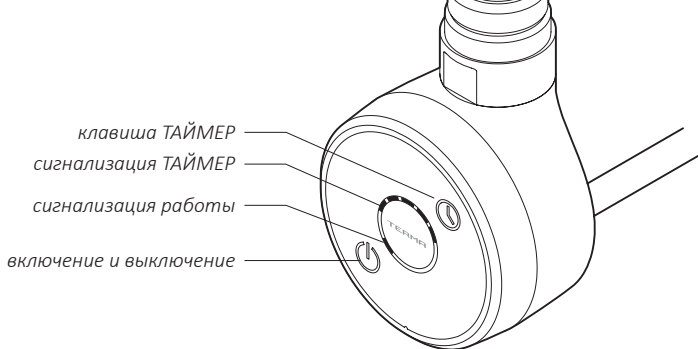
ниже 6°С, произойдет автоматическое включение электронагревателя, для того, чтобы не допустить замерзания тепло-

носителя внутри радиатора. Включение функции АНТИФРИЗ сигнализирует мигание диода по середине.

## Решение проблем

Проблема	Потенциальная причина	Решение проблемы
Электронагреватель включен в розетку, ни один диод не горит.	Проблема с подключением.	Следует проверить соединение кабеля, вилки и электрической розетки.
Электронагреватель не греет, попеременно мигают крайние диоды.	Повреждение датчика температуры.	Следует отключить устройство от сети, и подождать пока оно полностью остынет. После чего вновь включить.
	Перегрев.	Убедитесь, что мощность нагревательного элемента не превышает рекомендуемой мощности радиатора. Проверьте и, соответственно, уменьшите температуру теплоносителя в системе отопления (не может превышать 82°С). В радиаторе, не подключенном к установке ц. о. убедитесь, что радиатор правильно заполнен.
Электронагреватель греет, несмотря на выключение клавишей $\Phi$ .	Повреждение электроники	Следует отключить устройство от сети, и подождать пока оно полностью остынет. После чего вновь включить.
Если проблему не удалось решить — следует связаться с Продавцом.		

# DRY



## Функции

Электронагреватель DRY оснащен одной настройкой температуры (условно 48°С) и расширенной функцией автоматического отключения обогрева в диапазоне от 1 до 5 часов. Функциональность продукта оптимальна для сушки в простой и удобный способ.

Есть возможность изменения температуры обогрева: 43, 48, 52, 55, 60°С, которая после настройки будет сохранена и станет новой рабочей температурой сушки.

Встроенный датчик температуры защищает радиатор от замерзания, в случае, если температура опустится ниже 5-7°С. Светодиод около клавиши вкл./выкл. будет мигать — сигнализируя включение функции АНТИФРИЗ.

## Обслуживание

Электронагреватель включается клавишей  $\Phi$ . Светодиод, находящийся около клавиши горит, когда электронагреватель включен и поддерживает установленную температуру обогрева.

Внимание: Электронагреватель включается только если температура радиатора ниже заданной (условно 48°С). После ее достижения, электронагреватель будет включаться лишь время от времени для поддержания указанной температуры. Благодаря чему потребление электроэнергии значительно меньше, чем могли бы предполагать теоретические расчеты, на основании номинальной мощности электронагревателя.

В правой верхней части фронтальной панели есть клавиша (ТАЙМЕР)  $\Phi$  для установки времени автоматического отключения обогрева.



При очередном нажатии клавиши будет загораться светодиод LED, сигнализируя выбранное время от 1 до 5 часов. По истечении этого времени электронагреватель автоматически отключится.

Стоит знать:

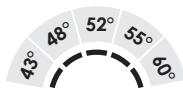
- нажатие и удержание клавиши  $\odot$  устанавливает время на 5 часов или выключает ТАЙМЕР,
- Клавишу  $\odot$  можно нажать когда электронагреватель отключен. После нажатия клавиши электронагреватель включится и установит время ТАЙМЕРа на 1 час,
- для того, чтобы выключит ТАЙМЕР следует несколько раз нажать на клавишу  $\odot$  или же просто выключить и снова включить электронагреватель,
- светодиоды ТАЙМЕРа будут гаснуть поочередно по мере истечения установленного времени.

Конструкция электронагревателя, как и физические параметры теплоносителя, являются причиной того, что нижние трубки радиатора (особенно нижние две) могут быть значительно холоднее остальных — это нормальное явление.

## Изменение температуры обогрева

Заводская настройка температуры обогрева данной модели электронагревателя составляет 48° С. Изменить температуру можно следующим образом:

1. Отключить устройство от сети (напр. вынуть вилку из розетки).
2. Нажать клавишу  $\Phi$ , и удерживая ее, подключить устройство обратно к сети.
3. Отпустить клавишу  $\Phi$ .
4. На фронтальной панели начнет мигать один из 5 диодов ТАЙМЕРа. Нажатием клавиши  $\Phi$  выбрать желаемую настройку температуры, из таблицы ниже:



5. Подождать 10 секунд или нажать на клавишу ТАЙМЕР для подтверждения выбранной настройки.

## Сигнализация аварийного состояния

Электронагреватель DRY оснащен активными функциями мониторинга и сигнализации различных аварийных состояний.

Аварийное состояние сигнализируют диоды ТАЙМЕРА так, что два крайних диода горят постоянно, а диод по середине мигает: „несколько миганий и долгий перерыв“.

Кол-во миганий соответствует коду ошибки, в соответствии с описанием ниже:

- a) «Работа в сухом радиаторе» (Код: 2 мигания) — Электроника зафиксировала отсутствие теплоносителя внутри радиатора. Следует проверить, правильно ли был залит радиатор.
- b) «Перегрев» (Код: 3 мигания) — слишком высокая температура теплоносителя в радиаторе:
  - Если электронагреватель греет несмотря на выключение — скорее всего повреждена электроника и необходим ремонт.
  - Если электронагреватель вмонтирован в радиатор, подключенный к системе Ц.О. с горячей водой, подобного рода сигнализация свидетельствует о высокой температуре воды. Следует убедиться, что

температура не превысит 82° С, в противном случае это грозит повреждением теплопредохранителя.

- c) «Поврежденный датчик температуры» (Код: 4 мигания) — возможно повреждение электроники. Скорее всего необходим ремонт электронагревателя.
- d) «Предостережение об открытой циркуляции воды в системе Ц.О.» (Код: 5 миганий) — есть риск, что циркуляция в радиаторе, подключенном к системе Ц.О., нарушена из-за утечки тлада в систему.

Внимание: закрывая вентили системы Ц.О., следует 1 вентиль оставить открытым, во избежание роста давления в радиаторе.

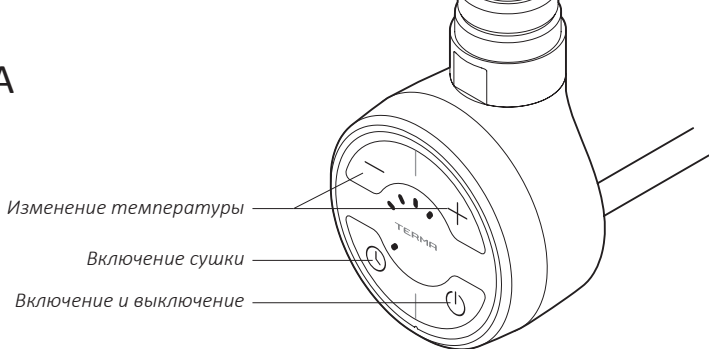
Аварийное состояние можно аннулировать, выключив, и снова включив электронагреватель.

При появлении аварийного состояния, следует выключить электронагреватель и подождать пока остынет радиатор. Перед повторным включением следует проанализировать и ликвидировать причину аварии. Если при повторном включении электронагреватель далее сигнализирует об аварии — следует связаться с Дистрибутором или Производителем.

## Решение проблем

Проблема	Потенциальная причина	Решение проблемы
Электронагреватель сигнализирует аварийное состояние (два крайних диода горят постоянно, а диод по середине мигает).	Следует ознакомиться со списком аварийных состояний.	Следует действовать в соответствии с рекомендациями раздела «Сигнализация аварийного состояния».
Радиатор абсолютно холодный, диоды горят исправно.	Сработал теплопредохранитель, повреждение электроники.	Устройство необходимо ремонтировать.
Электронагреватель выключен, и не включается. Диоды не горят.	Подключение ненадлежащим образом, повреждение электроники.	Следует проверить правильно ли подключен электронагреватель. Если подключение корректно, необходим ремонт устройства.
Электронагреватель бесконтрольно греет, не выключается.	Повреждение электроники.	Необходим ремонт устройства.
Включение электронагревателя вызывает отключение (система защиты) электрической сети.	Механическое повреждение электронагревателя из-за слишком высокого давления в радиаторе (нет воздушной подушки).	Необходим ремонт устройства.
	Слабая изоляция нагревательного элемента или другое повреждение.	Связаться с электриком для определения проблемы. Связаться с сервисным отделом Продавца.

# MOA



После включения  $\Phi$  электронагреватель нагревает радиатор до заданной температуры. После ее достижения, электронагреватель будет включаться лишь время от времени для поддержания указанной температуры.

Конструкция электронагревателя, как и физические параметры теплоносителя, являются причиной того, что нижние трубки радиатора (особенно нижние две) могут быть значительно холоднее остальных — это нормальное явление.

## Увеличение температуры

Чтобы увеличить температуру, следует нажать на клавишу  $\oplus$ , один или несколько раз — соответствующее кол-во диодов начнет мигать. Заданный уровень температуры сигнализирует последний мигающий диод, а уровень актуальной, достигнутой температуры — диод, горящий

постоянно. По мере роста температуры диоды перестанут мигать и будут гореть постоянно.

## Уменьшение температуры

Чтобы уменьшить температуру, следует нажать на клавишу  $\ominus$ , один или несколько раз — соответствующее кол-во диодов начнет мигать. Заданный уровень температуры сигнализирует последний диод, горящий постоянно, а уровень актуальной температуры — мигающий диод. По мере снижения температуры мигающие диоды будут гаснуть.

## Функция АНТИФРИЗ (защита от замерзания)

Если электронагреватель выключен, а датчик зафиксирует спадок температуры

ниже 6° С, произойдет автоматическое включение электронагревателя, для того, чтобы не допустить замерзания теплоносителя внутри радиатора. Включение функции АНТИФРИЗ сигнализирует мигание диода по середине.

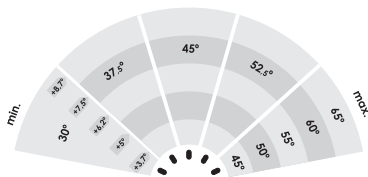
## Функция сушки

СУШКА включает устройство на 2 часа, напр. для того, чтобы высушить полотенце. По истечении этого времени, электронагреватель самостоятельно возвращается к режиму работы, который был актуален до момента включения СУШКИ. СУШКА включается нажатием клавиши ☉ (также, если электронагреватель выключен). Устройство начнет обогрев с последней установленной температурой. Температуру обогрева можно изменять в любой момент (клавиши ☉ и ☉). Если перед включением СУШКИ электронагреватель был выключен, то по истечении времени сушки, устройство отключится самостоятельно. Для того, чтобы прервать СУШКУ, следует нажать на клавишу ☉.

## Изменение диапазона температур

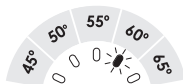
Стандартный диапазон рабочей температуры электронагревателя это 30-60° С. Есть возможность увеличить или умень-

шить диапазон, выбрав максимальную температуру между 45° С и 65° С (минимальная температура 30° С остается неизменной). Это позволит увеличить максимальную температуру, или же настроить электронагреватель на работу в низких температурах.



Для изменения диапазона температур, следует вынуть вилку электронагревателя из розетки, а далее, удерживая клавишу ☉, вновь вставить вилку в розетку. На панели начнет мигать один диод. Клавишами ☉, ☉ следует выбрать одну из 5 возможных максимальных температур. Первый диод — максимальная температура, равная 45° С. Следующие диоды это: 50° С, 55° С, 60° С, 65° С.

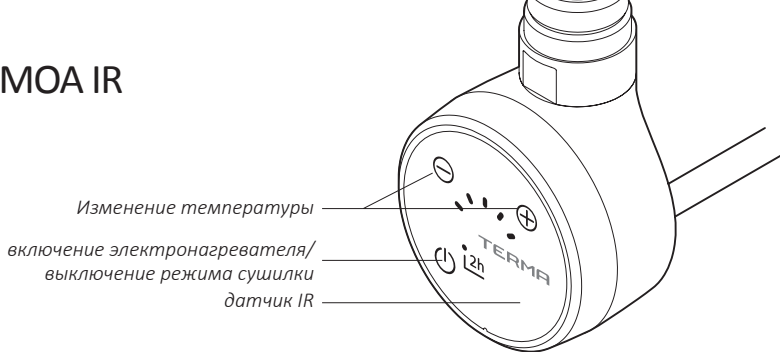
После нажатия клавиши ☉, электронагреватель вернется к работе в новом диапазоне.



## Решение проблем

Проблема	Потенциальная причина	Решение проблемы
Электронагреватель включен в розетку, ни один диод не горит.	Проблема с подключением.	Следует проверить соединение кабеля, вилки и электрической розетки.
Электронагреватель не греет, попеременно мигают крайние диоды.	Повреждение датчика температуры.	Следует отключить устройство от сети, и подождать пока оно полностью остынет. После чего вновь включить.
	Перегрев.	Убедитесь, что мощность нагревательного элемента не превышает рекомендуемой мощности радиатора. Проверьте и, соответственно, уменьшите температуру теплоносителя в системе отопления (не может превышать 82°C). В радиаторе, не подключенном к установке ц. о. убедитесь, что радиатор правильно заполнен.
Электронагреватель греет несмотря на выключение клавишей $\Phi$ .	Повреждение электроники.	Следует отключить устройство от сети, и подождать пока оно полностью остынет. После чего вновь включить.
Если проблему не удалось решить — следует связаться с Продавцом.		

# MOA IR



После включения  $\Phi$  электронагреватель нагревает радиатор до заданной температуры. После ее достижения, электронагреватель будет включаться лишь время от времени для поддержания указанной температуры.

Конструкция электронагревателя, как и физические параметры теплоносителя, являются причиной того, что нижние трубки радиатора (особенно нижние две) могут быть значительно холоднее остальных — это нормальное явление.

## Увеличение температуры

Чтобы увеличить температуру, следует нажать на клавишу  $\oplus$ , один или несколько раз — соответствующее кол-во диодов начнет мигать. Заданный уровень температуры сигнализирует последний мигающий диод, а уровень актуальной, достигнутой температуры — диод, горящий постоянно. По мере роста температуры диоды перестанут мигать и будут гореть постоянно.

## Уменьшение температуры

Чтобы уменьшить температуру, следует нажать на клавишу  $\ominus$ , один или несколько раз — соответствующее кол-во диодов начнет мигать. Заданный уровень температуры сигнализирует последний диод, горящий постоянно, а уровень актуальной температуры — мигающий диод. По мере снижения температуры мигающие диоды будут гаснуть.

## Функция АНТИФРИЗ (защита от замерзания)

Если электронагреватель выключен, а датчик фиксирует спадок температуры ниже  $6^{\circ}\text{C}$ , произойдет автоматическое включение электронагревателя, для того, чтобы не допустить замерзания теплоносителя внутри радиатора. Включение функции АНТИФРИЗ сигнализирует мигание диода по середине.

## Функция сушки

СУШКА включает устройство на 2 часа, напр. для того, чтобы высушить полотенце. По истечении этого времени, электроннагреватель самостоятельно возвращается к режиму работы, который был актуален до момента включения СУШКИ. Чтобы включить функцию сушки, нажмите и удерживайте клавишу  $\Phi$  (обращаем ваше внимание что, когда обогреватель будет выключен) — прибор начнет работать с установленной ранее температурой. Устройство начнет обогрев с последней установленной температурой. Температуру обогрева можно изменять в любой момент (клавиши  $\Phi$  и  $\Theta$ ). Если перед включением СУШКИ электроннагреватель был выключен, то по истечении времени сушки, устройство отключится самостоятельно. Для того, чтобы прервать СУШКУ, следует нажать на клавишу  $\Phi$ .

## Дистанционный режим (Беспроводная связь)

Если комната содержит IR пульт дистанционного управления, с помощью которого отправляется соответствующий сигнал, при приеме сигнала в нагревательном элементе сработает автоматическая функция на статус приема. В этом состоянии нагревательный элемент нагревает мощность, запрограммированную удаленным пультом, однако, по-прежнему контролирует температуру нагревательного элемента и не пре-

вышает прилб. 60°C. Дистанционный режим сигнализируется постоянным освещением центрального светодиода. Если происходит потеря связи в течение периода превышающего 25 минут, полотенцесушитель автоматически выйдет из дистанционного режима, продолжая работать с самой последней настройкой. Отправив другой сигнал, пульта дистанционного управления начнет снова режим дистанционного управления. В удаленном режиме можно активировать функцию СУШИЛКИ (в этом случае, после завершения отсчета времени, обогреватель не выключается, а переходит в режим приема сообщений с удаленного программатора).

## Изменение диапазона температур

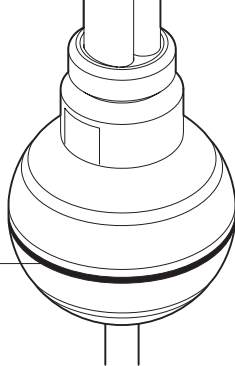
*Как и в модели MOA*

## Решение проблем

*Как и в модели MOA*



## REG 2



*кольцо, сигнализирующее работу*

После включения электронагреватель нагревает радиатор до температуры 65° С. После ее достижения, электронагреватель будет включаться лишь время от времени для поддержания указанной температуры.

Стандартная версия электронагревателя не оснащена выключателем на корпусе — устройство включается при помощи вилки, вставляемой в розетку (или же постоянное подключение к сети -скрытая проводка).

Подсвеченное кольцо сообщает о подключении электронагревателя к сети.

Версия +W дополнительно оснащена выключателем, расположенным на вилке.

Конструкция электронагревателя, как и физические параметры теплоносителя, являются причиной того, что нижние трубки радиатора (особенно нижние две) могут

быть значительно холоднее остальных — это нормальное явление.

### Решение проблем

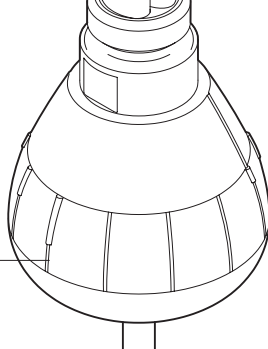
Если есть подозрение, что электронагреватель работает некорректно, следует:

- проверить правильно ли электронагреватель подключен к системе
- проверить, достаточное ли кол-во теплоносителя в радиаторе

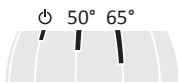
Если электронагреватель далее работает некорректно, следует его демонтировать и передать Продавцу.

## REG 3

кольцо регулировки  
с указанием настроек



После включения электронагреватель нагревает радиатор до заданной температуры. После ее достижения, электронагреватель будет включаться лишь время от времени для поддержания указанной температуры.



Конструкция электронагревателя, как и физические параметры теплоносителя, являются причиной того, что нижние трубки радиатора (особенно нижние две) могут быть значительно холоднее остальных — это нормальное явление.

## Решение проблем

Если есть подозрение, что электронагреватель работает некорректно, следует:

- проверить правильно ли электронагреватель подключен к системе
- проверить, достаточное ли кол-во теплоносителя в радиаторе

Если электронагреватель далее работает некорректно, следует его демонтировать и передать Продавцу.

# Условия гарантии

1. Предметом гарантии является электронагреватель производства Terma Sp. z o.o. Название модели и параметры указаны на упаковке.
2. Покупая устройство, Клиент подтверждает полноценность продукта. В случае обнаружения каких-либо недостатков, следует проинформировать об этом Продавца — в противном случае будет считаться, что Продавец продал качественный товар без недостатков. В особенности это касается качества покрытия корпуса электронагревателя.
3. Срок гарантии составляет 24 месяца от даты покупки, но не более 36 месяцев от даты производства.
4. Основанием для предоставления гарантии является документ подтверждающий факт покупки. Непредоставление такого документа дает Производителю право отказать в предоставлении гарантии.
5. Гарантия не распространяется на повреждения, возникшие в результате монтажа, демонтажа или эксплуатации, не соответствующих инструкции, в результате использования нагревательного элемента в несоответствии с условиями приложенной инструкции по применению, в результате вмешательства в устройство посторонних лиц, а также, возникшие по вине Клиента после получения товара от Продавца.
6. Система должна быть оснащена отсекающими вентилями, позволяющими демонтировать радиатор или электронагреватель без необходимости полного слива теплоносителя. За проблемы или расходы, возникшие в связи с отсутствием таких вентилей в системе Производитель ответственности не несет.
7. Прилагаемая инструкция по применению продукта является частью гарантии. Поэтому следует внимательно ознакомиться с ее содержанием до начала использования устройства.
8. Рассмотрение претензий и жалоб происходит в течение 14 рабочих дней от даты предоставления устройства Производителю
9. Если ремонт устройства не представляется возможным, Производитель обязуется предоставить новый исправный экземпляр устройства с теми же параметрами.

# Návod na obsluhu

Naše výrobky boli navrhnuté a vyrobené tak, aby spĺňali všetky požiadavky týkajúce sa kvality, funkčnosti a estetiky. Blahoželáme Vám z dôvodu úspešného nákupu a želáme Vám veľa spokojnosti počas používania nového zariadenia.

## Elektrický ohrievač

### Bezpečná inštalácia a používanie

1. Neinštalujte ohrievač priamo pod elektrickú zásuvku.
2. Elektrický ohrievač by mal byť naplnený presne odmeraným množstvom kvapaliny. V prípade zistenia straty vykurovacieho média a pri jeho každom doplnení kontaktujte predajcu.
3. Tento prístroj nie je vybavený regulátorom izbovej teploty \*). Nepoužívajte ho v malých miestnostiach, ak sú v nich prítomní ľudia samostatne neschopní ich opustiť, jedine v prípade, že je zabezpečený trvalý dozor.

\*) nevzťahuje sa na vybrané modely. O podrobnosti požiadajte predajcu.

4. Elektrický ohrievač nie je hračka. Deti do 3 rokov by sa bez riadneho dozoru nemali zdržiavať v bezprostrednej blízkosti ohrievača.

Deti vo veku od 3 do 8 rokov môžu ohrievač ovládať iba v prípade, že je správne nainštalovaný a zapojený a deti sú pod dozorom alebo boli poučené o bezpečnom používaní ohrievača a možných hrozbách.

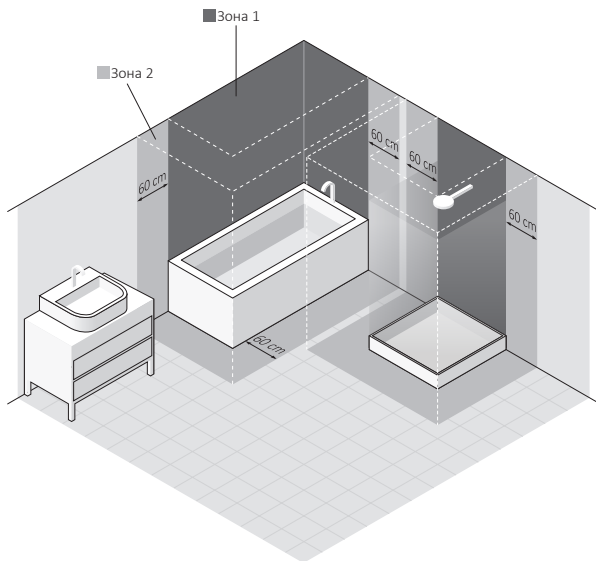
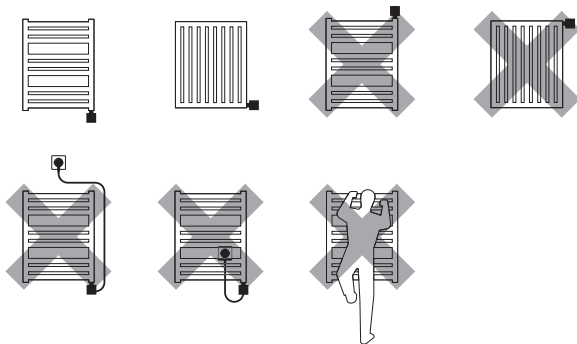
5. Poznámka: Niektoré časti ohrievača môžu byť veľmi horúce a môžu spôsobiť popáleniny. V prípade prítomnosti deti alebo osôb so zdravotným postihnutím je potrebné zachovať mimoriadnu ostražitosť.
6. Ak sa zariadenie použije ako sušič oblečenia a uterákov, môžu byť tkaniny prané výlučne vo vode.
7. Na ochranu proti ohrozeniu veľmi malých detí, musí byť elektrická sušička oblečenia alebo uterákov nainštalovaná tak, aby sa najnižšie potrubie zariadenia nachádzalo aspoň 600 mm nad podlahou.
8. Prístroj by mal byť nainštalovaný iba kvalifikovaným inštalatérom v súlade so všetkými platnými bezpečnostnými predpismi a ďalšími predpismi.
9. Všetky siete, ku ktorým je zariadenie pripojené musia spĺňať príslušné pravidlá platné v danej oblasti.
10. K napájaniu ohrievača nepoužívajte predlžovacie káble alebo elektrické adaptéry.
11. Pri pripojení chladiča k elektrickej inštalácii sa uistite, že obvod má istič s reziduálnym prúdom 30 mA (R.C.D.) a príslušný nadprúdový istič.

Pri trvalou inštaláciou (káblové pripojenie bez zástrčky) je tiež povinné inštalovanie vypínača umožňujúceho vypnutie zariadenia na všetkých fázach pomocou kontaktov s intervalom 3 mm.

12. Zariadenie vo verzii s označením PB sa môže namontovať v kúpeľni v 1. zóne, podľa príslušných predpisov, s dodržaním zvláštnych predpisov o elektrických inštaláciách v mokrých miestnostiach.

Ostatné verzie zariadenia sa môžu montovať v 2. zóne alebo mimo tejto zóny.

13. Zariadenie používajte iba na stanovený účel tak, ako je popísané v návode na použitie.
14. Uistite sa, že ohrievač bol na stenu nainštalovaný podľa návodu na inštaláciu.
15. Tento informačný materiál musí byť odovzdaný konečnému užívateľovi ohrievača.



# Elektrické vykurovacie

## Bezpečnostné pokyny — montáž

1. Montáž ohrievača môže vykonať len inštalátor s príslušným oprávnením.
2. Napojte zariadenie len na správne vykonanú elektrickú sieť (pozri menovité parametre na ohrievaču).
3. Dovoľuje sa krátke zapnutie studeného ohrievača na voľnom vzduchu v čase maximálne 3 sekúnd.
4. Nesmie sa zapínať ohrievač v prázdnom vykurovacom telese!
5. Zaisťte, aby napájací kábel sa nedotýkal žiadnych horúcich prvkov ohrievača alebo vykurovacieho telesa.
6. Počas montáže alebo demontáže zariadenie nesmie byť napojené na elektrinu.
7. Nesmie sa zasahovať do vnútra zariadenia.
8. Výkon ohrievača nesmie byť väčší ako výkon vykurovacieho telesa pre parametre 75/65/20° C .
9. Tlak vo vykurovacom telese nemôže prekročiť 10 atm. V elektrickom vykurovacom telese zaisťte vzdušnú komoru, a vo vykurovacom telese na-



pojeným na sústavu ú.k. neháajte 1 otvorený ventil, aby zabrániť rastu tlaku v dôsledku tepelnej rozťažnosti kvapalín.

10. Zariadenia je určené len na domáce použitie.
11. Montujte zariadenie v súlade so všetkými miestnymi predpismi vzťahujúcimi sa na bezpečnostné požiadavky v oblasti elektrických zariadení, vrátane prípustného umiestnenia a vzdialenosti od mokrých miest.

## Bezpečnostné pokyny — používanie

1. Vykurovací prvok počas práce musí byť celý ponorený do tekutiny.
2. Pravidelne overujte, či zariadenie nie je poškodené a či jeho používanie je bezpečné.
3. V prípade, že napájací kábel je poškodený, zariadenie sa nesmie používať. Odpojte zariadenie od elektrickej siete a kontaktujte výrobcu alebo distribútora.
4. Nedovoľte, aby sa kryt ohrievača zalial.
5. Nepoužívajte ohrievača v sústave ú.k., v ktorej teplota vody vo vykurovacom telese môže prekročiť 82° C

6. Vykurovacie teleso alebo ohrievač sa môžu zohriať do vysokej teploty. Postupujte opatrne pri kontakte s vykurovacím telesom.
7. Neotvárajte kryt.
8. Počas práce ohrievača vo vykurovacom telese napojenom na sústavu ú.k. vždy zabezpečte, aby jeden ventil bol otvorený.
9. Zariadenie môžu používať deti vo veku nad 8 rokov a osoby s obmedzenou mentálnou alebo telesnou schopnosťou len s dozorom alebo po zaškolení vzťahujúcom sa na bezpečnú obsluhu a riziká vyplývajúce z používania zariadenia.
10. Zariadenie nie je hračkou. Nedovoľte, aby deti mali k nemu prístup.
11. Čistenie sa môže realizovať len po odpojení zariadenia od napájacej siete.
12. Čistenie zariadenia deťmi vo veku nižšom ako 8 rokov je možné len s príslušným dozorom

# Určenie výrobku

ohrievač je elektrické vykurovacie zariadenie určené len na zabudovanie do vodných vykurovacích telies (samostatné alebo napojené na systém ú.k.).

Vyberte ohrievač k vykurovaciemu telesu tak, aby jeho menovitý výkon bol podobný ako výkon vykurovacieho telesa pre parametre 75/65/20° C.

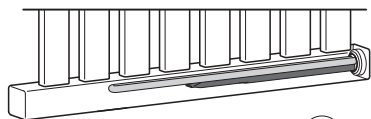
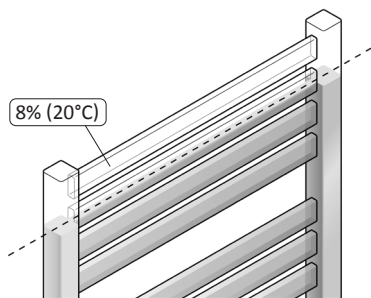
## Technické údaje

Označenie modelu (typ napájacieho kábla):	PB (Rovný kábel bez zástrčky)* PW (Rovný kábel so zástrčkou) SW (Špirálový kábel so zástrčkou)																		
Typ elektrickej prípojky:	Y: MEG, MOA, MOA IR, REG 3, DRY Z: REG 2																		
Napájanie:	230 V / 50 Hz																		
Dostupný výkon:	120, 200, 300, 400, 600, 800, 1000, 1200 [W]																		
Trieda ochrany zariadenia:	Trieda I																		
Prípojka na vykurovacie teleso:	G 1/2"																		
Stupeň ochrany krytu [IP]:	IPx4: MEG IPx5: REG 2, REG 3, MOA, MOA IR, DRY																		
Dĺžka vykurovacieho prvku:	<table border="1"><tr><td>120</td><td>200</td><td>300</td><td>400</td><td>600</td><td>800</td><td>1000</td><td>1200</td><td>[W]</td></tr><tr><td>315</td><td>275</td><td>300</td><td>335</td><td>365</td><td>475</td><td>565</td><td>660</td><td>[mm]</td></tr></table>	120	200	300	400	600	800	1000	1200	[W]	315	275	300	335	365	475	565	660	[mm]
120	200	300	400	600	800	1000	1200	[W]											
315	275	300	335	365	475	565	660	[mm]											

\* zariadenie určené na pevné napojenie na inštaláciu


# Montáž a demontáž

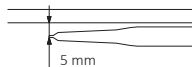
Podrobné informácie o rôznych spôsoboch montáže alebo demontáže ohrievača vo vykurovacom telese sú dostupné u výrobcu alebo dovozcu (pozri päta na konci návodu). Nižšie uvádzame základné požiadavky a zásady, ktoré sa musia bezvýnimčne dodržiavať pre zaručenie dlhodobej a spoľahlivej práce zariadenia.



Pri inštalácii tyče v horizontálnom kolektora, kratšie / jednotlivá rúrka so snímačom teploty by mala byť umiestnená v najnižšom možnom bode.

## Upozornenia pred montážou alebo prvým uvedením do prevádzky:

1. Prečítajte kapitolu: *bezpečnostné pokyny – montáž*
2. Prikrúčajte ohrievač pomocou vhodného plochého kľúča (veľkosť  22)
3. Ohrievač montujte v spodnej časti vykurovacieho telesa, kolmo k systému rúrok pri zachovaní priestoru na vhodnú cirkuláciu vykurovacej tekutiny.
4. Používajte príslušné vykurovacie tekutiny (voda, špeciálne výrobky na báze vody a glykolu určené na používanie v sústavách ústredného kúrenia, vykurovacie oleje s parametrami v súlade s požiadavkami výrobcu ohrievača a vykurovacieho telesa).
5. Skontroluj a prípadne uprav vzdialenosť medzi tyčami podľa obrázka.



6. Nezapínajte ohrievač v prípade, že nie je úplne ponorený do vody alebo inej alternatívnej tekutiny.
7. Zaisťte bezpečnostné prostriedky pred nadmerným nárastom tlaku vo vykurovacom telese (vzdušnú komoru v elektrickom vykurovacom telese, otvorený jeden z ventilov vykurovacieho telesa v sústave a pod.)
8. Nenalievajte do vykurovacieho telesa tekutinu s teplotou nad 65°C.
9. V prípade napojenia zariadenia pevne na elektrickú sieť, zohľadnite nasledujúce pokyny:
  - a. Hnedá žila — napojenie na fázový obvod (L).
  - b. Modrá žila — napojenie na neutrálny obvod (N).
  - c. Žlto-zelená žila — napojenie na uzemnenie (PE).
10. Pred naliatím tekutiny do vykurovacieho telesa uistite sa, že spojenie ohrievača a vykurovacieho telesa je tesné.
11. Inštalácia ÚK musí byť doplnkovo vybavená uzávermi umožňujúcimi odpojenie ohrievača.
12. Teplota činiteľa v inštalácii ÚK nesmie prevyšovať 82°C!

## Upozornenia pred demontážou:

1. Pred začatím demontáže odpojte trvale zariadenie od elektrickej siete a uistite sa, že vykurovacie teleso nie je horúce.
2. Upozornenie — vykurovacie teleso naplnené tekutinou môže byť veľmi ťažké. Zaisťte vhodné bezpečnostné prostriedky.
3. Pred demontážou sa uistite, že voda nachádzajúca sa vo vnútri vykurovacieho telesa a inštalácie nezapríčiní vznik škody (v prípade potreby zatvorte príslušné ventily, vyprázdnite vykurovacie teleso a pod.)

## Likvidácia



Tento výrobok je elektrické zariadenie a podlieha špeciálnym požiadavkám vzťahujúcim sa na zneškodnenie a likvidáciu elektrického a elektronického odpadu. Nesmie sa ho vyhodiť spolu s komunálnym odpadom. Po ukončení používania výrobok sa musí odovzdať na mieste zberu a recyklácie elektrického odpadu. Podrobne informácie o tom Vám poskytne predajňa alebo výrobca. Ďakujeme za podporu ochrany životného prostredia.

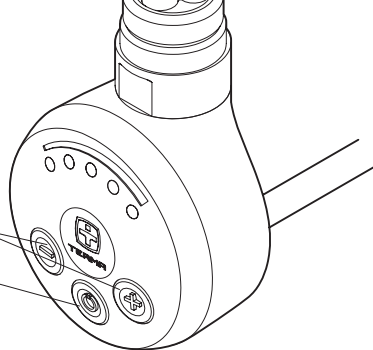
## Údržba

- Pred realizáciou akýchkoľvek údržbárskych činností vždy odpojte zariadenie od elektriny.
- Pravidelne overujte hladinu tekutiny vo vykurovacom telese a dbajte, aby vykurovací prvok bol úplne ponorený do tekutiny.
- Čistite výrobok len nasucho alebo vlhkou handrou s malým množstvom čistiaceho prostriedku bez rozpúšťadiel ani brúsnych prvkov.

# MEG

*zmena teploty ohrievača*

*zapínanie a vypínanie ohrievača*



Po zapnutí sa ohrievač zohrieva na požadovanú teplotu. Po jej dosiahnutí sa bude ohrievač periodicky zapínať a vypínať udržiavajúc uvedenú teplotu.

Konštrukcia ohrievača, ako aj fyzické vlastnosti ohrievacieho čidla spôsobujú, že spodné rebriny vykurovacieho telesa (najmä posledné dve) môžu mať nižšiu teplotu od inej časti — taký jav je úplne normálny.

## Zvyšovanie teploty

Za účelom zvýšenia teploty stlačte klávesu ⊕, raz alebo niekoľkokrát — príslušný počet diód začne pulzovať. Úroveň naprogramovanej teploty ukazuje posledná pulzujúca dióda, naproti tomu úroveň aktuálne dosiahnutej teploty ukazuje posledná stále svietiaci dióda. Diódy sa budú zapalovať v poradí na stále podľa nárastu teploty zariadenia.

## Zmenšovanie teploty

Za účelom zníženia teploty stlačte klávesu ⊖, raz alebo niekoľkokrát — príslušný počet diód začne pulzovať. Úroveň naprogramovanej teploty ukazuje posledná stále svietiaci dióda, naproti tomu úroveň aktuálne dosiahnutej teploty ukazuje posledná pulzujúca dióda. Diódy budú zhasínať v poradí podľa znižovania teploty zariadenia.

## Funkcia anti-freeze

### (ochrana pred zamrznutím)

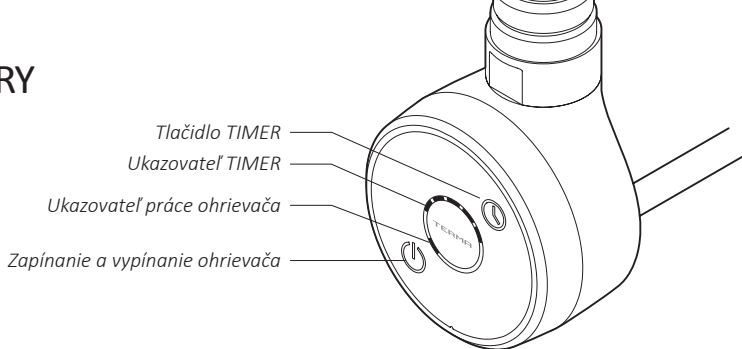
Pokiaľ je ohrievač vypnutý a teplota v okolí teplotného snímača klesne pod úroveň 6°C uskutoční sa automatické zapnutie ohrievača za účelom nedopustenia do zamrznutia ohrievacieho čidla vo vnútri vykurovacieho telesa. Zapínanie sa funkcie ANTIFREEZE signalizuje blikanie strednej diódy.

## Odstraňovanie problémov

Problém	Potenciálna príčina	Riešenie problému
Ohrievač je pripojený do napájacej zásuvky, žiadna dióda nesvieti.	Problém sa týka pripojenia.	Skontrolujte spojenie sieťového vedenia, zástrčku a elektrickú zásuvku.
Ohrievač nezohrieva, premenlivo blikajú krajné diódy.	Nastalo poškodenie teplotného snímača.	Zariadenie úplne odpojte zo siete a počkajte kým vychladne, potom ho opätovne pripojte.
	Nastalo prehriatie.	Skontrolujte a potvrďte, že výkon vykurovacieho telesa neprekračuje doporučený výkon vášho radiátora. Skontrolujte a znížte teplotu vody v systéme ústredného kúrenia — nesmie presiahnuť 82 °. Pri elektrickej verzii skontrolujte, či je radiátor správne naplnený vykurovacím prostriedkom.
Ohrievač zohrieva napriek vypnutiu klávesou ☺.	poškodenie elektroniky.	Zariadenie úplne odpojte zo siete a počkajte kým vychladne, potom ho opätovne pripojte.
Pokiaľ problém neustúpil kontaktujte sa s Predajcom.		



# DRY



## Funkcie



Ohrievač DRY je vybavený jedným nastavením teploty vykurovacieho telesa (štandardne 48° C) a rozšírený rozsah dostupných možností automatického vypínania ohrevu od 1 do 5 hodín. Vďaka tejto funkčnosti výrobok je prispôsobený požiadavkám, najmä spojených so sušením jednoduchým a ľahkým spôsobom.

Existuje možnosť zmeny teploty ohrevu na inú: 43, 48, 52, 55, 60° C, ktorá po nastavení bude zariadením zapamätaná a týmto sa nastaví novú teplotu práce sušičky. Zabudovaný senzor teploty zabezpečuje ohrievač pred zamrznutím v prípade detekcie teploty nižšej ako 5-7° C. Dióda LED pri zapnutí obdobne bliká — signalizujúc aktívnu ochranu proti zamrznutiu.

## Obsluha

Ohrievač sa zapína pomocou tlačidla. Dióda LED nachádzajúca sa pri tlačidle svieti sa, kedy ohrievač je zapnutý a regulátor udržiava nastavenú teplotu ohrevu. Upozornenie: ovládacia sústava ohrievača zapína ohrievač len vtedy, kedy teplota vykurovacieho telesa je nižšia ako nastavená teplota (štandardne 48° C). Po dosiahnutí požadovanej teploty ohrievač sa obdobne zapína len pre udržanie požadovanej teploty. Vďaka tomu spotreba elektriny je podstatne nižšia ako vplyva z teoretických výpočtov založených na menovitom výkone ohrievača. V pravej hornej časti ovládacieho panelu sa nachádza tlačidlo (TIMER) používané na nastavovanie času automatického vypínania ohrevu. Ďalšie stlačenia tlačidla zapínajú LED svietidlá na ukazovateľu času ohrevu a umožňujú nastavenie hodnoty od 1 do 5 hodín. Po tomto čase ohrievač sa automaticky vypne.

## Ďalšie pokyny na obsluhu:

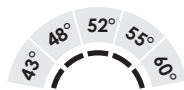
- Dlhšie pridrżanie tlačidla  nastavuje čas na 5 hodín alebo vypína TIMER,
- Tlačidlo  funguje aj vtedy, kedy ohrievač je vypnutý. Po jeho stlačení sa ohrievač zapne a čas bude nastavený na 1 hodinu,
- Pre vypnutie TIMERA niekoľkokrát stlačte tlačidlo alebo vypnite a opäť zapnite ohrievač,
- LED diódy ukazovateľa TIMERA zhasnú v určenom poradí spolu s uplyvaním času od vypnutia.

Konštrukcia ohrievača ako aj fyzické vlastnosti rôznych ohrievacích faktorov môžu byť príčinou nerovnomerného rozloženia teploty vo vykurovacom telese, a týmto aj príčinou toho, že spodné rúrky vykurovacieho telesa môžu byť teplé. Takýto stav je úplne normálny a nevyplýva z nesprávnej práce ohrievača.

## Servisná funkcia teploty ohrevu

Ohrievač je počítačovo naprogramovaný tak, aby teplota nastavení po zapnutí ohrievača bola 48°C. Existuje možnosť zmeny tejto hodnoty na inú v dôsledku nasledujúcich činností:

1. Odpojte zariadenie od elektriny (napr. vytiahnite zástrčku zo zásuvky).
2. Stlačte a držte tlačidlo pre napojenie ohrievača opäť na elektrickú sieť.
3. Uvoľnite tlačidlo.
4. Na paneli ohrievača začne blikať jedna z 5 diód ukazovateľa TIMERA. Pomocou tlačidla vyberte požadovanú hodnotu teploty ohrievača podľa nižšie uvedenej tabuľky:



5. Čakajte 10 sekúnd alebo stlačte tlačidlo TIMER pre potvrdenie zvolenej hodnoty.

## Signalizácia poruchových stavov

Ohrievač DRY je vybavený aktívnymi funkciami monitorovania a signalizovania rôznych poruchových stavov.

Poruchový stav je signalizovaný na diódovom ukazovateľu TIMERA tak, že dve okrajové diódy sa stále svietia, a stredná dióda blika podľa princípu: „pár bliknutí a dlhšia prestávka“. Množstvo bliknutí znamená kód chyby podľa nižšie uvedeného popisu:

a) „Práca v suchom vykurovacom telese“ (Kód: 2 bliknutia) – Elektronická sústava zistila situáciu poukazujúcu na nedostatok tekutiny vo vykurovacom telese. Skontrolujte správnosť naplnenia vykurovacieho telesa.

b) „Prehriatie“ (Kód: 3 bliknutia) — Príliš vysoká teplota tekutiny vo vykurovacom telese.

- V prípade, že ohrievač hreje hoci bol vypnutý — pravdepodobne elektronické prvky sú poškodené a nevyhnutná je oprava v servise.
- V prípade, že ohrievač je namontovaný v pracujúcom vykurovacom telese v rámci sústavy ú.k. s horúcou vodou, poplachová signalizácia neznamená poruchu ohrievača, ale signalizuje len vysokú teplotu. Uistite sa, že teplota vody v sústave neprekročuje 82°C, lebo takáto situácia hrozí poškodením termického ističa v ohrievači.

c) „Poškodený senzor teploty“ (Kód: 4 bliknutia) — prípadná porucha elektronickej sústavy.

Pravdepodobne ohrievač vyžaduje opravu v servise.

d) „Upozornenie pred otvoreným obehom vody v sústave ú.k.“ (Kód: 5 bliknutí) — existuje riziko, že ohrievač napojený na sústavu ú.k. má nesprávnu cirkuláciu, lebo teplo uteká zo sústavy.

Upozornenie: zatvárajúc ventily na sústave ú.k. vždy nehájte 1 z ventilov otvorený tak, aby predišť nárastu tlaku vo vykurovacom telese.

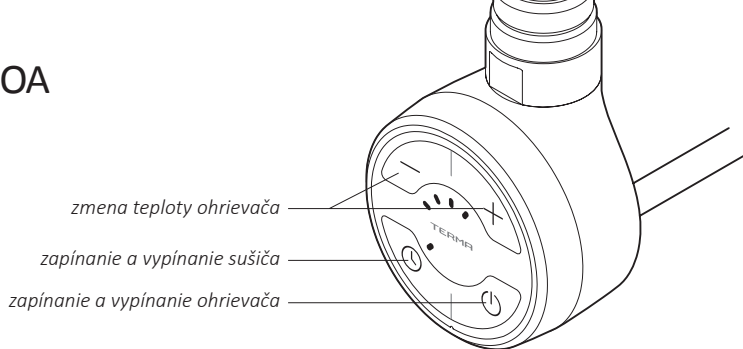
Poruchový stav sa môže vymazať vypnutím a opätovným zapnutím ohrievača.

V prípade vyskytnutia poruchového stavu odpojte ohrievač a prípadne čakajte až ohrievač ochladne. Pred opätovným zapnutím preanalyzujte príčinu poruchy a odstráňte ju. V prípade, že o zapnutí ďalej je signalizovaný poruchový stav — kontaktujte distribútora alebo výrobcu.

## Odstraňovanie problémov

Problém	Potenciálna príčina	Postup
Ohrievač signalizuje poruchový stav (okrajové diódy svietia stále, stredná bliká).	Pozri popis poruchových stavov.	Postup v súlade s pokynmi uvedenými v kapitole „Signalizácia poruchových stavov“.
Ohrievač je úplne studený, diódy na ohrievaču svietia správne.	Zapôsobenie termického ističa, poškodenie elektronických prvkov.	Výrobok vyžaduje opravu v servise.
Ohrievač je vypnutý, nechce sa zapnúť. Nič sa nesvieti.	Nedostatok správneho napájania, poškodenie elektronických prvkov.	Overiť, či ohrievač je správne napojený. V prípade, že áno, výrobok vyžaduje opravu v servise.
Ohrievač hreje bez kontroly, nechce sa zapnúť.	Poškodenie elektronických prvkov.	Výrobok vyžaduje opravu v servise.
Zapnutie ohrievača zapína aj bezpečnostné zabezpečenie v elektrickej sieti.	Mechanické poškodenie ohrievača v dôsledku príliš vysokého tlaku vo vykurovacom telese (chýba vzdušná komora).	Ohrievač vyžaduje opravu v servise.
	Oslabená elektrická izolácia vykurovacieho prvku alebo iné poškodenie.	Kontaktujte elektrikára pre zistenie zdroja problému. Kontaktujte servis výrobcu.

# MOA



Zapínanie ohrievača klávesou ⊖ spôsobuje zohriatie vykurovacieho telesa na požadovanú teplotu. Po jej dosiahnutí sa bude ohrievač periodicky zapínať a vypínať udržiavajúc uvedenú teplotu.

Konštrukcia ohrievača, ako aj fyzické vlastnosti ohrievacieho čidla spôsobujú, že spodné rebriny vykurovacieho telesa (najmä posledné dve) môžu mať nižšiu teplotu od inej časti — taký jav je úplne normálny.

## Zvyšovanie teploty

Za účelom zvýšenia teploty stlačte klávesu ⊕, raz alebo niekoľkokrát — príslušný počet diód začne pulzovať. Úroveň naprogramovanej teploty ukazuje posledná pulzujúca dióda, naproti tomu úroveň aktuálne dosiahnutej teploty ukazuje posledná stále svietiacia dióda. Diódy sa budú zapáľovať v poradí na stále podľa nárastu teploty zariadenia.

## Zmenšovanie teploty

Za účelom zníženia teploty stlačte klávesu ⊖, raz alebo niekoľkokrát — príslušný počet diód začne pulzovať. Úroveň naprogramovanej teploty ukazuje posledná stále svietiacia dióda, naproti tomu úroveň aktuálne dosiahnutej teploty ukazuje posledná pulzujúca dióda. Diódy budú zhasínať v poradí podľa znižovania teploty zariadenia.

## Funkcia antifreeze (ochrana pred zamrznutím)

Pokiaľ je ohrievač vypnutý a teplota v okolí teplotného snímača klesne pod úroveň okolo 6° C uskutoční sa automatické zapnutie ohrievača za účelom nedopustenia do zamrznutia ohrievacieho čidla vo vnútri vykurovacieho telesa. Zapínanie sa funkcie ANTIFREEZE signalizuje blikanie strednej diódy.

## Funkcia sušiča

SUŠIČ zapína zariadenie na 2 hodiny, napr. za účelom vysušenia ručníka. Po uplynutí tohto času sa ohrievač samočinne vráti do stavu pred aktiváciou SUŠIČA.

SUŠIČ sa zapína klávesou ⊕ (taktiež keď je ohrievač zapnutý). Zariadenie začne pracovať s naposledy nastavenou teplotou. Túto teplotu je možné ľubovoľne meniť počas práce (klávesy ⊕ a ⊖). Pokiaľ pred spustením sušiča bol ohrievač vypnutý, po ukončení sušenia sa zariadenia samočinne vypne.

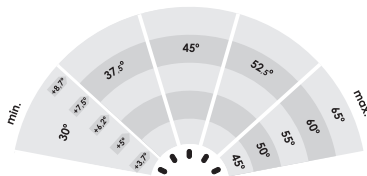
Za účelom prerušenia práce SUŠIČA v ľubovoľnej chvíli je treba stlačiť klávesu ⊖.

## Kalibrácia teplotných rozsahov

Štandardný teplotný rozsah ohrievača predstavuje 30°C-60°C. Možné je rozšírenie alebo zúženie tohto rozsahu prostredníctvom nastavenia maximálnej teploty v rozmedzí 45°C a 65°C (minimálna teplota 30°C je nemenná). Dovoľuje to dosiahnuť vyššiu maximálnu teplotu od štandardnej alebo presnejšie riadiť ohrievač v rozsahu nižších teplôt.

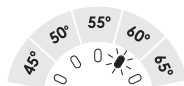
Príklad: pre rozsah nastavenia do 45°C (30-45°C) zmena o jedno nastavenie (jednu diódu), znamená nárast / pokles teploty o 3,75°C, naproti tomu pre rozsah na-

stavenia do 65°C (30-65°C) zmena o jedno nastavenie znamená nárast/ pokles teploty o 8,75°C.



Za účelom zmeny teplotných rozsahov vytiahnite zástrčku zo zásuvky a držiac klávesu ⊖ opätovne vložte zástrčku do zásuvky. Na diódovom displeji začne pulzovať samostatná dióda. Klávesmi ⊕ a ⊖ nastavte jednu z 5 možných maximálnych teplôt. Prvá dióda zodpovedá teplote 45°C. Ďalšie diódy sú: 50°C, 55°C, 60°C, 65°C.

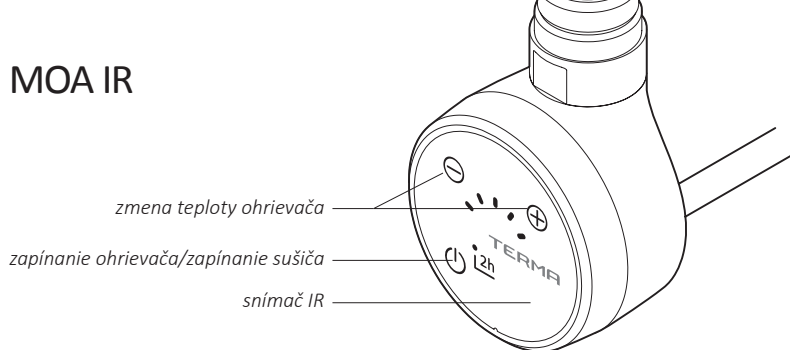
Po stlačení klávesy ⊖ sa ohrievač vráti do práce s novými nastaveniami.



## Odstraňovanie problémov

Problém	Potenciálna príčina	Riešenie problému
Ohrievač je pripojený do napájacej zásuvky, žiadna dióda nesvieti.	Problém sa týka pripojenia.	Skontrolujte spojenie sieťového vedenia, zástrčku a elektrickú zásuvku.
Ohrievač nezohrieva, premenlivo blikajú krajné diódy.	Nastalo poškodenie teplotného snímača.	Zariadenie úplne odpojte zo siete a počkajte kým vychladne, potom ho opätovne pripojte.
	Nastalo prehriatie.	Skontrolujte a potvrdte, že výkon vykurovacieho telesa neprekračuje doporučený výkon vášho radiátora. Skontrolujte a znížte teplotu vody v systéme ústredného kúrenia — nesmie presiahnuť 82°. Pri elektrickej verzii skontrolujte, či je radiátor správne naplnený vykurovacím prostriedkom.
Ohrievač zohrieva napriek vypnutiu klávesou $\Phi$ .	poškodenie elektroniky.	Zariadenie úplne odpojte zo siete a počkajte kým vychladne, potom ho opätovne pripojte.
Pokiaľ problém neustúpil skontaktujte sa s Predajcom.		

# MOA IR



Zapínanie ohrievača klávesou ⏻ spôsobuje zohriatie vykurovacieho telesa na požadovanú teplotu. Po jej dosiahnutí sa bude ohrievač periodicky zapínať a vypínať udržiujúc uvedenú teplotu.

Konštrukcia ohrievača, ako aj fyzické vlastnosti ohrievacieho činidla spôsobujú, že spodné rebriny vykurovacieho telesa (najmä posledné dve) môžu mať nižšiu teplotu od inej časti — taký jav je úplne normálny.

## Zvyšovanie teploty

Za účelom zvýšenia teploty stlačte klávesu ⊕, raz alebo niekoľkokrát — príslušný počet diód začne pulzovať. Úroveň naprogramovanej teploty ukazuje posledná pulzujúca dióda, naproti tomu úroveň aktuálne dosiahnutej teploty ukazuje posledná svietiacia dióda. Diódy sa budú zapáľovať v poradí na stále podľa nárastu teploty zariadenia.

## Zmenšovanie teploty

Za účelom zníženia teploty stlačte klávesu ⊖, raz alebo niekoľkokrát — príslušný počet diód začne pulzovať. Úroveň naprogramovanej teploty ukazuje posledná stále svietiacia dióda, naproti tomu úroveň aktuálne dosiahnutej teploty ukazuje posledná pulzujúca dióda. Diódy budú zhasínať v poradí podľa znižovania teploty zariadenia.

## Funkcia antifreeze (ochrana pred zamrznutím)

Pokiaľ je ohrievač vypnutý a teplota v okolí teplotného snímača klesne pod úroveň okolo 6°C uskutoční sa automatické zapnutie ohrievača za účelom nedopustenia do zamrznutia ohrievacieho činidla vo vnútri vykurovacieho telesa. Zapínanie sa funkcie ANTIFREEZE signalizuje blikanie strednej diódy.



## Funkcia sušiča

SUŠIČ zapína zariadenie na 2 hodiny, napr. za účelom vysušenia ručníka. Po uplynutí tohto času sa ohrievač samočinne vráti do stavu pred aktiváciou SUŠIČA.

Za účelom zapnutia SUŠIČA stlačte a podržte tlačidlo  $\ominus$  (taktiež vtedy, keď bol ohrievač vypnutý) — zariadenie začne pracovať s naposledy anstavenou teplotou. Zariadenie začne pracovať s naposledy nastavenou teplotou. Túto teplotu je možné ľubovoľne meniť počas práce (klávesy  $\oplus$  a  $\ominus$ ). Pokiaľ pred spustením sušiča bol ohrievač vypnutý, po ukončení sušenia sa zariadenia samočinne vypne.

Za účelom prerušenia práce SUŠIČA v ľubovoľnej chvíli je treba stlačiť klávesu  $\ominus$ .

## Režim diaľkového ovládania (bezdrôtová komunikácia)

Pokiaľ sa v miestnosti nachádza IR programátor, ktorý vysiela príslušné ovládacie signály, tak prvý správne prijatý signál v ohrievači spôsobí jeho automatické prepnutie do stavu prijímania. V tomto stave, zariadenie ohrieva s výkonom uvrčeným prostredníctvom vonkajšieho programátora, avšak stále kontroluje, aby teplota ohrievača neprekročila asi 60°C. Diaľkový režim je signalizovaný stálym svietením strednej diódy. Pokiaľ vznikne strata komunikácie počas doby dlhšej ako 25 minút, toto zariadenie

automaticky vystúpi z diaľkového režimu, pričom bude pokračovať v práci v naposledy nastavenom nastavení. Ďalší prijatý signál z programátora opätovne spustí pracovný režim diaľkovej práce.

V diaľkovom režime je možné aktivovať funkciu SUŠIČA (v tom prípade po ukončení odpočítavania času sa ohrievač nezapne, ale vráti sa k prijímaniu oznamov z diaľkového programátora).

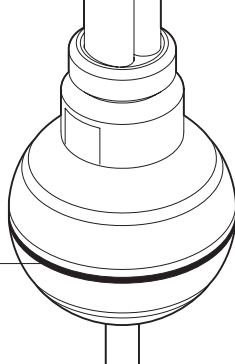
## Kalibrácia teplotných rozsahov

*Как и в модели MOA*

## Odstraňovanie problémov

*Как и в модели MOA*

## REG 2



*Krúžok signalizujúci prácu ohrievača*

Po zapnutí ohrievač zohrieva vykurovacie teleso na teplotu 65° C. Po jej dosiahnutí sa bude ohrievač periodicky zapínať a vypínať udržiavajúc túto teplotu.

Základná verzia ohrievača nemá na kryte vypínač — zapínaný je priamo pomocou zástrčky (alebo natrvalo pripojená do siete).

Svietenie krúžku oznamuje pripojenie ohrievača do napájacej siete.

Verzia +W má doplnkovo zapínač umiestnený na zástrčke.

Konštrukcia ohrievača, ako aj fyzické vlastnosti ohrievacieho činiteľa spôsobujú, že spodné rebriny vykurovacieho telesa (najmä posledné dve) môžu mať nižšiu teplotu od inej časti — taký jav je úplne normálny.

### Havarijné situácie

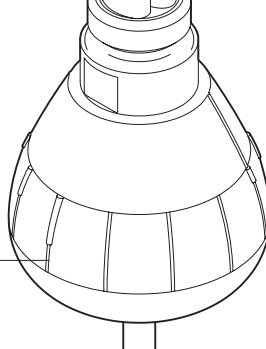
Pokiaľ zistíš nesprávnu činnosť ohrievača:

- skontroluj, či je zariadenie správne pripojené do napájania,
- skontrolujte, či vo vykurovacom telese nechýba ohrievací činiteľ.

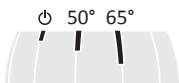
Napriek tomu, že ohrievač nefunguje správne, treba ho zdemontovať a vrátiť predajcovi.

## REG 3

Nastaviteľný krúžok  
s označeniami nastavenia



Po zapnutí ohrievač zohrieva vykurovacie teleso na zadanú teplotu. Po jej dosiahnutí sa bude ohrievač periodicky zapínať a vypínať udržiavajúc túto teplotu.



Konštrukcia ohrievača, ako aj fyzické vlastnosti ohrievacieho čidla spôsobujú, že spodné rebry vykurovacieho telesa (najmä posledné dve) môžu mať nižšiu teplotu od inej časti — taký jav je úplne normálny.

### Havarijné situácie

Pokiaľ zistíš nesprávnu činnosť ohrievača:

- skontroluj, či je zariadenie správne pripojené do napájania,
- skontrolujte, či vo vykurovacom telese nechýba ohrievací činiteľ.

Napriek tomu, že ohrievač nefunguje správne, treba ho zdemontovať a vrátiť predajcovi.

# Záručné podmienky

1. Predmetom záruky je elektrický ohrievač výrobcu Terma Sp. z o.o. Názov modelu a vlastnosti sú podrobne uvedené na obale.
2. Pri preberaní ovládača Klient potvrdzuje plnú hodnotu výrobku. V prípade zistenia akýchkoľvek chýb je treba o nich oboznámiť Predajcu — v opačnom prípade sa považuje, že Výrobca vydal bezchybný výrobok. Týka sa to najmä kvality povrchu krytu ovládača.
3. Záručná doba predstavuje 24 mesiacov od dátumu nákupu, ale maximálne 36 mesiacov od dátumu výroby.
4. Dôkaz o kúpe (doklad o prijatí, faktúra atď.) je základom záručných nárokov. Nedostatok dokladu o kúpe umožňuje výrobcovi zamietnuť nárok na záruku.
5. Zárukou nie sú obsiahnuté poškodenia vzniknuté:
  - v dôsledku nesprávnej (nezhodného s návodom) montáže, použitia alebo demontáže,
  - v súvislosti s použitím ohrievacej časti spôsobom nezhodným s jej určením,
  - v dôsledku zásahu neoprávnených osôb do zariadenia
- vzniknuté z viny Klienta po prevzatí od Predajcu.
6. Vykurovacia inštalácia musí byť vybavená uzavieracím ventilom, ktoré umožňujú demontáž vykurovacieho telesa alebo ohrievača bez vyprázdňovania celej inštalácie z ohrievacieho čidla. Problémy alebo náklady vzniknuté v dôsledku chýbajúcich takýchto ventilov v inštalácii nezaťažujú Terma.
7. Priložený návod na obsluhu výrobku jest integrálnou časťou. Prosíme teda o dôkladné oboznámenie sa s jeho obsahom pred zahájením používania.
8. Výrobca je povinný odstrániť poruchy v lehote 14 pracovných dní od dátumu dodania chybného zariadenia do sídla výrobcu.
9. Pokiaľ sa oprava zariadenia ukáže ako nemožná, výrobca je povinný dodať nový dobre fungujúci exemplár s rovnakými parametrami.



# EN Dual Fuel Radiator | CZ Ohříváč UT s elektrickým topným tělesem | DE Kombi-Heizkörper | FR Radiateur mixte | IT Radiatore misto | PL Grzejnik c.o. z grzałką elektryczną | RU Радиатор водно-электрический | SK Ohrievač ÚK s elektrickým vykurovacím telesom

**EN** NEVER OPERATE THE HEATING ELEMENT WITH BOTH VALVES CLOSED.

HINT: Do not turn on the heating element and your central heating at the same time.

**CZ** NIKDY NEZAPÍNEJTE OHŘÍVAČ, POKUD JSOU OBA VENTILY UZAVŘENY.

UPOZORNĚNÍ: Použijte ohříváč pouze tehdy, pokud je systém UT vypnutý.

**DE** SCHALTEN SIE DAS HEIZELEMENT NICHT EIN, WENN BEIDE VENTILE GESCHLOSSEN SIND.

HINWEIS: Verwenden Sie die Heizpatrone nur dann, wenn die Zentralheizung ausgeschaltet ist.

**FR** NE JAMAIS METTRE EN MARCHE LE KIT RÉSTANCES SI LES DEUX VANNES SONT FERMÉES.

NE PAS OUBLIER : utiliser le kit résistances uniquement quand le système du chauffage eau chaude est arrêté.

**IT** MAI USARE IL DISPOSITIVO CON ENTRAMBE LE VALVOLE CHIUSE.

Non accendere contemporaneamente il dispositivo e l'impianto di riscaldamento.

**PL** NIGDY NIE WŁĄCZAJ GRZAŁKI, JEŚLI OBA ZAWORY SĄ ZAMKNIĘTE.

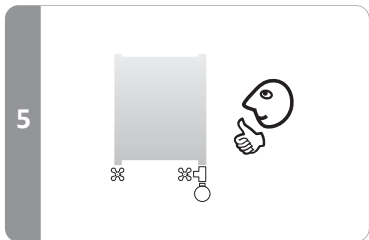
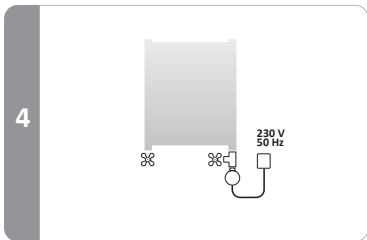
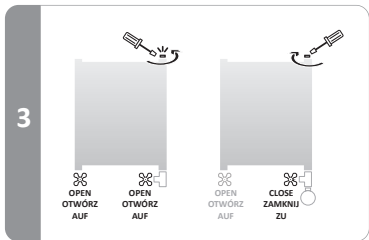
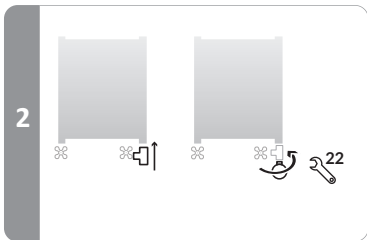
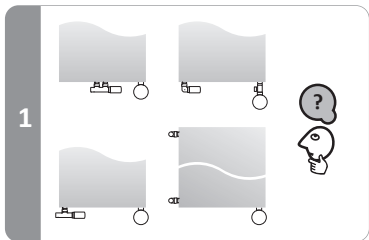
WSKAZÓWKA: używaj grzałki tylko wtedy, kiedy system c.o. jest wyłączony.

**RU** ЗАПРЕЩАЕТСЯ ВКЛЮЧАТЬ ЭЛЕКТРОНАГРЕВАТЕЛЬ ЕСЛИ ВЕНТИЛИ ЗАКРЫТЫ.

ПОМНИТЕ: следует использовать электронагреватель только тогда, когда система Ц.О. отключена.

**SK** NIKDY NEZAPÍNAJTE OHRIEVAČ, AK SÚ OBA VENTILY UZATVORENÝ.

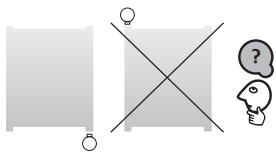
UPOZORNENIE: Používajte ohrievač iba vtedy, ak je systém ÚK vypnutý.



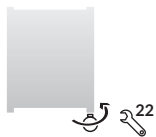
**EN** Electric only Radiator | **CZ** Elektrický ohřívač | **DE** Elektrischer Heizkörper | **FR** Radiateur électrique | **IT** Radiatore elettrico | **PL** Grzejnik elektryczny | **RU** Электрический радиатор | **SK** Elektrický ohrievač



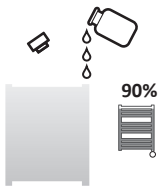
1



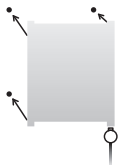
2



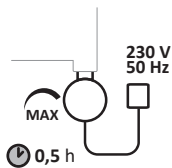
3



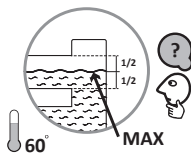
4



5



6



7

